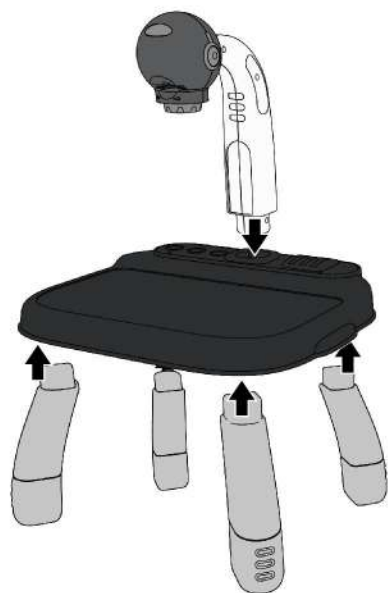
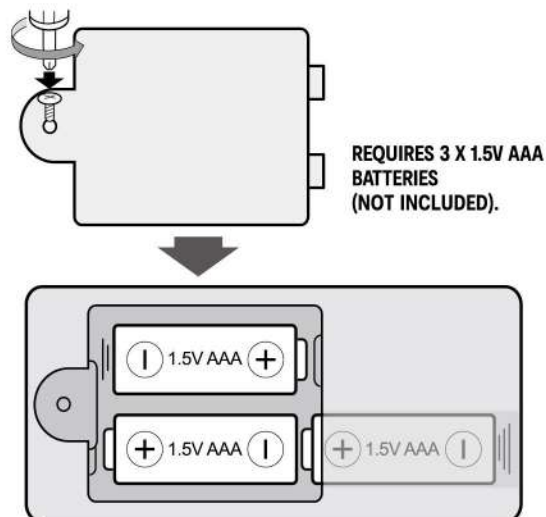


# ACTIVITY PROJECTION TABLE

## INSTRUCTION MANUAL



### Assembly Instructions



REQUIRES 3 X 1.5V AAA  
BATTERIES  
(NOT INCLUDED).

### Battery installation



### How to play:

1. Turn on the projection.
2. Place a paper on the drawing table.
3. Insert one of the patterns.
4. Rotate to select image, the pattern will project for painting.

**CAUTION:** ADULT ASSEMBLY AND SUPERVISION REQUIRED.

**CAUTION:** DO NOT SIT OR STAND ON THE TABLE.

**WARNING: CHOKING HAZARD**  
SMALL PARTS. NOT FOR CHILDREN UNDER 3 YEARS.

**WARNING:** BATTERIES ARE TO BE INSERTED WITH THE CORRECT POLARITY (+ AND -). DO NOT MIX DIFFERENT TYPES OF BATTERIES OR NEW AND USED BATTERIES. NON-RECHARGEABLE BATTERIES ARE NOT TO BE RECHARGED. RECHARGEABLE BATTERIES ARE ONLY TO BE CHARGED BY AN ADULT. RECHARGEABLE BATTERIES ARE TO BE REMOVED FROM THE TOY BEFORE BEING CHARGED. THE SUPPLY TERMINALS ARE NOT TO BE SHORT-CIRCUITED. REMOVE BATTERIES FROM THE TOY WHEN NOT IN USE FOR EXTENDED TIME OR WHEN BATTERIES BECOME EXHAUSTED. BATTERY INSTALLATION BY AN ADULT IS REQUIRED. DISPOSE OF BATTERIES RESPONSIBLY. DO NOT DISPOSE OF IN FIRE.

**WARNING:** FOR SAFETY REASONS, REMOVE ALL TAGS, LABELS, AND PLASTIC FASTENERS BEFORE GIVING THIS TOY TO YOUR CHILD.

**WARNING:** THIS TOY PRODUCES FLASHES THAT MAY TRIGGER EPILEPSY IN SENSITISED INDIVIDUALS.

Keycode: 43229451

DO NOT LOOK DIRECTLY AT LIGHT.

**CAUTION:** BATTERY INSTALLATION BY ADULT REQUIRED.

MADE IN CHINA

FOR AU / NZ: IMPORTED FOR KMART STORES IN AUSTRALIA AND NEW ZEALAND.

PLEASE KEEP THE PACKAGING FOR FUTURE REFERENCE. PRODUCT MAY VARY FROM THE IMAGE SHOWN.