












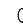
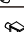



# Assembly Instructions

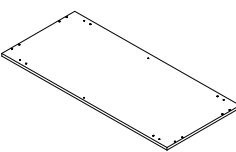
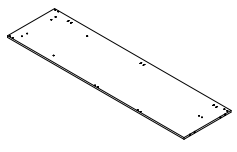
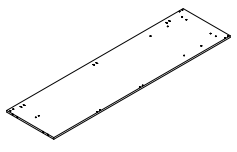
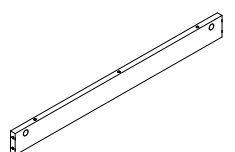
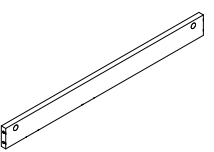
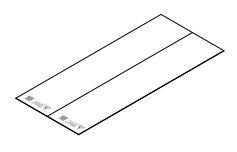
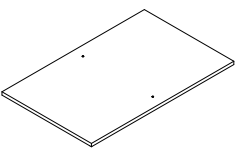
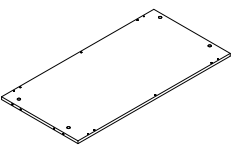
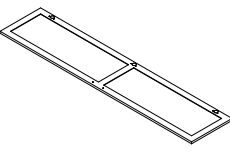
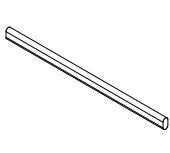
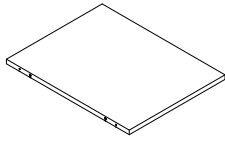
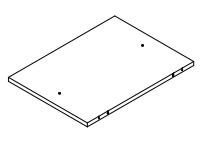
## 43229178 HAMPTONS WARDROBE 2 DOOR HANGING RAIL WITH STORAGE SHELF

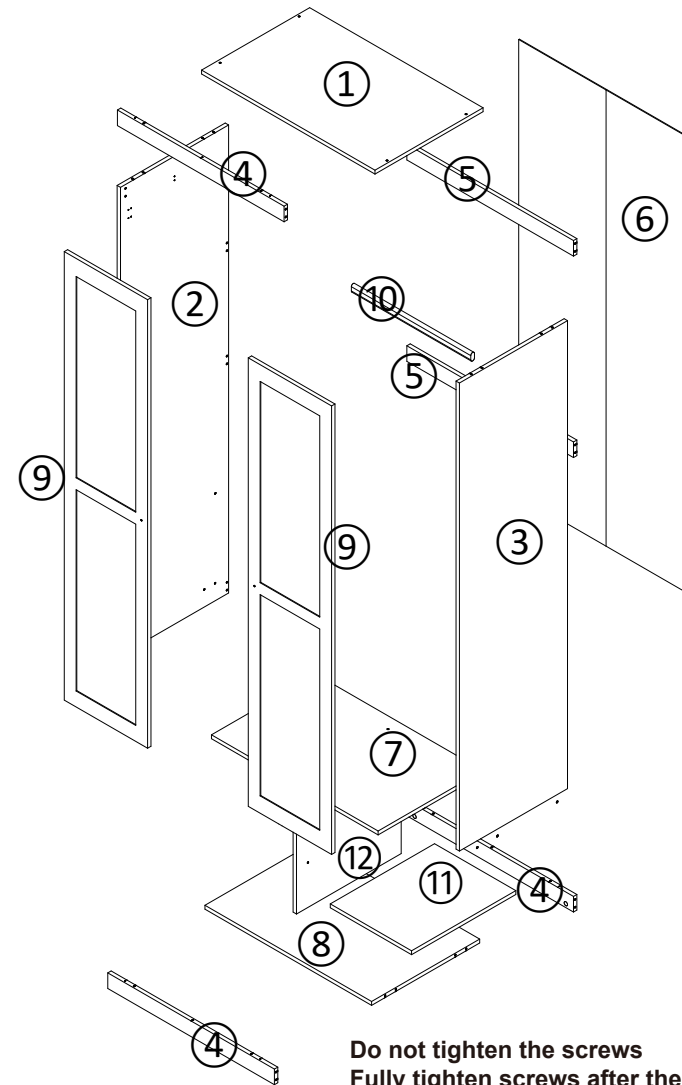
**CARE INSTRUCTIONS:** TO BE ASSEMBLED ON A CLEAN, DRY AND SMOOTH SURFACE. WIPE CLEAN WITH A SOFT DAMP CLOTH. NEVER USE SCOURERS, ABRASIVES OR CHEMICAL SOLVENTS. CHECK AND TIGHTEN ALL PARTS REGULARLY. KEEP AWAY FROM MOISTURE AND DIRECT SUNLIGHT. STORE IN A DRY PLACE. FOR INDOOR USE ONLY.

**WARNING!** DO NOT STAND, SIT OR LEAN ON THIS UNIT. DO NOT USE THIS UNIT AS A STEP LADDER OR AS A CHOPPING SURFACE. ENSURE THIS UNIT IS USED ONLY ON A FLAT SURFACE. DO NOT USE THIS UNIT UNLESS ALL BOLTS AND SCREWS ARE FIRMLY SECURED. UNANCHORED FURNITURE CAN TIP OVER. THIS FURNITURE SHALL BE ANCHORED TO THE WALL WITH THE ENCLOSED SAFETY FITTING TO PREVENT IT FROM TIPPING OVER.

**MAXIMUM SAFE LOAD: 5KGS FOR SHELF, CLOTH RAIL 15KGS.**

	a	M6x35	14pcs		g		2pcs
	b	M15x10	14pcs		h		6pcs
	c	M3.5x12	40pcs		j		2pcs
	d	M8x30	28pcs		k		2pcs
	e	M4x50	8pcs		l		2pcs
	f	M4x55	9pcs		m		28pcs
	n		6pcs		p		1pc
	q	M3x12	4pcs		s		1pc

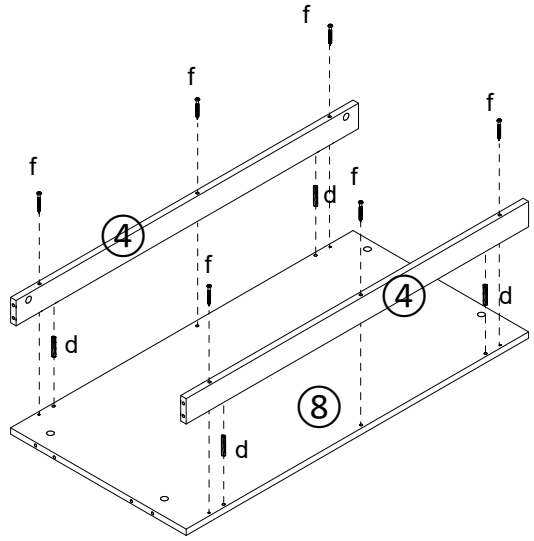
			
① 1pc	② 1pc	③ 1pc	④ 3pcs
			
⑤ 2pcs	⑥ 1pc	⑦ 1pc	⑧ 1pc
			
⑨ 2pcs	⑩ 1pc	⑪ 1pc	⑫ 1pc



Do not tighten the screws  
Fully tighten screws after the final assembly steps

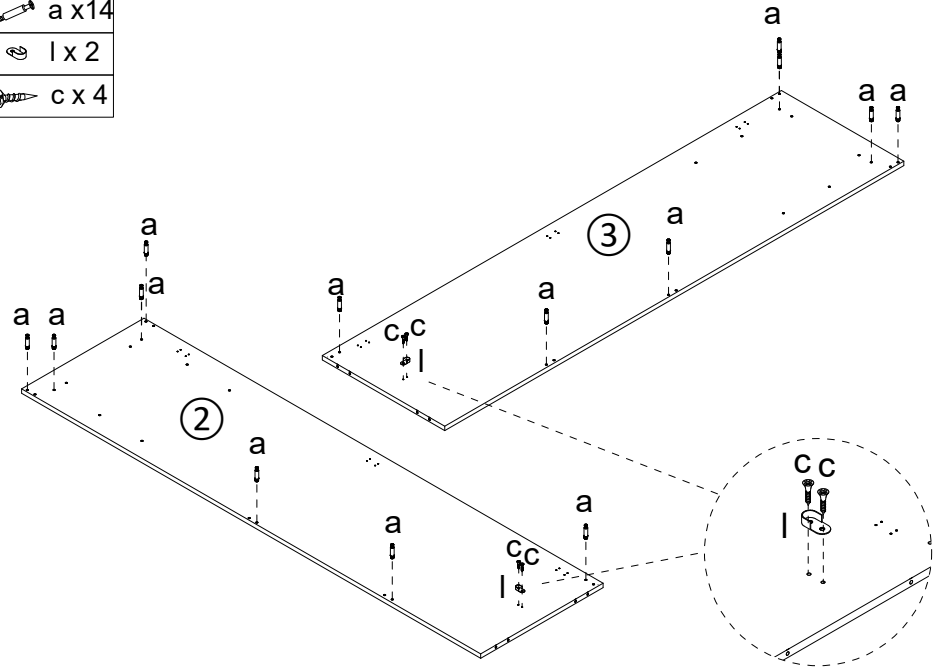
### step 1

- fx6
- dx4



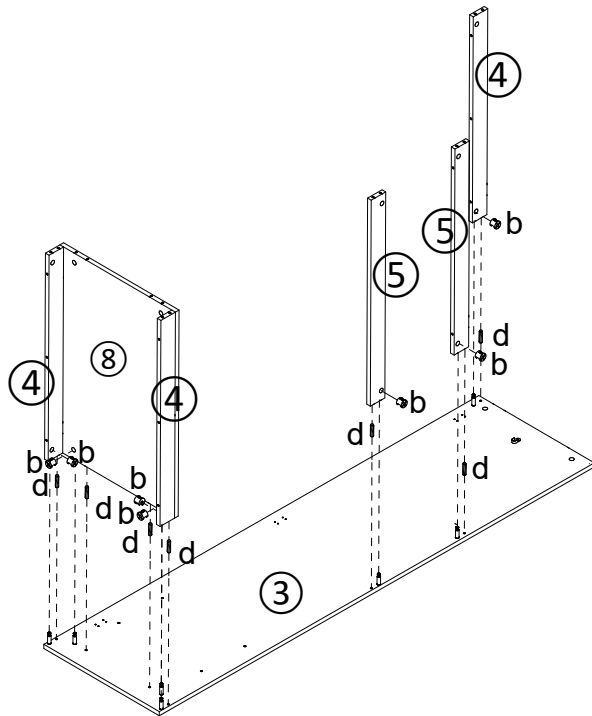
### step 2

- a x14
- l x2
- c x4



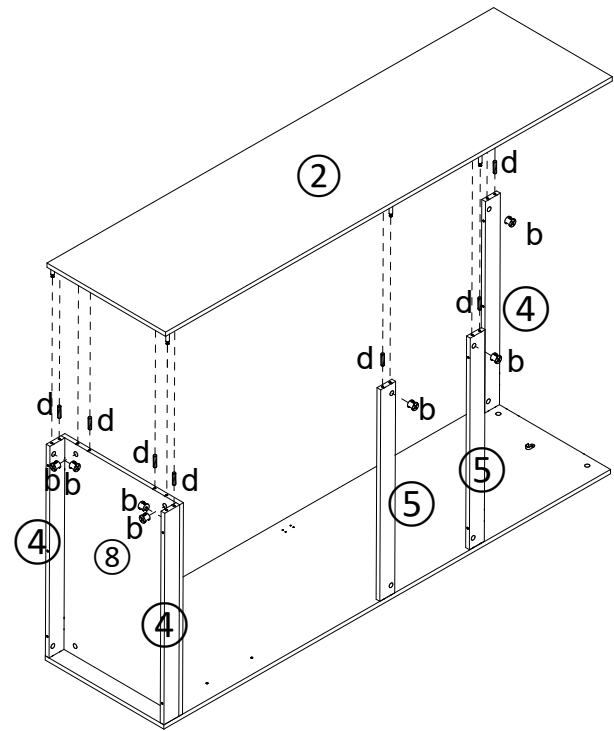
### step 3

- b x7
- d x7






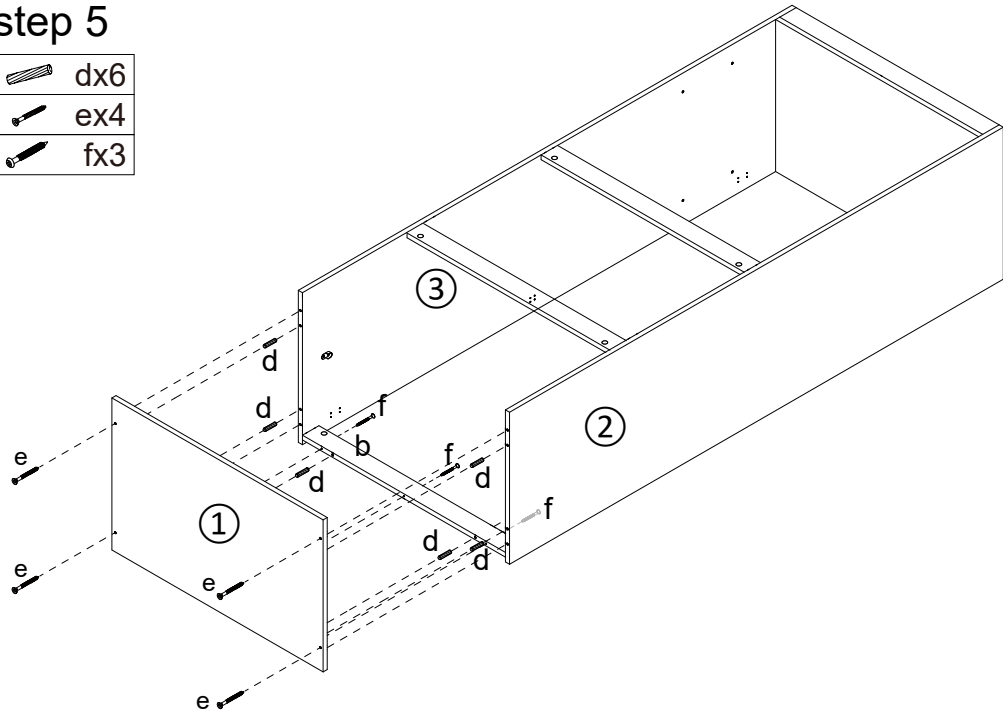
### step 4

- b x7
- d x7

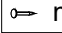


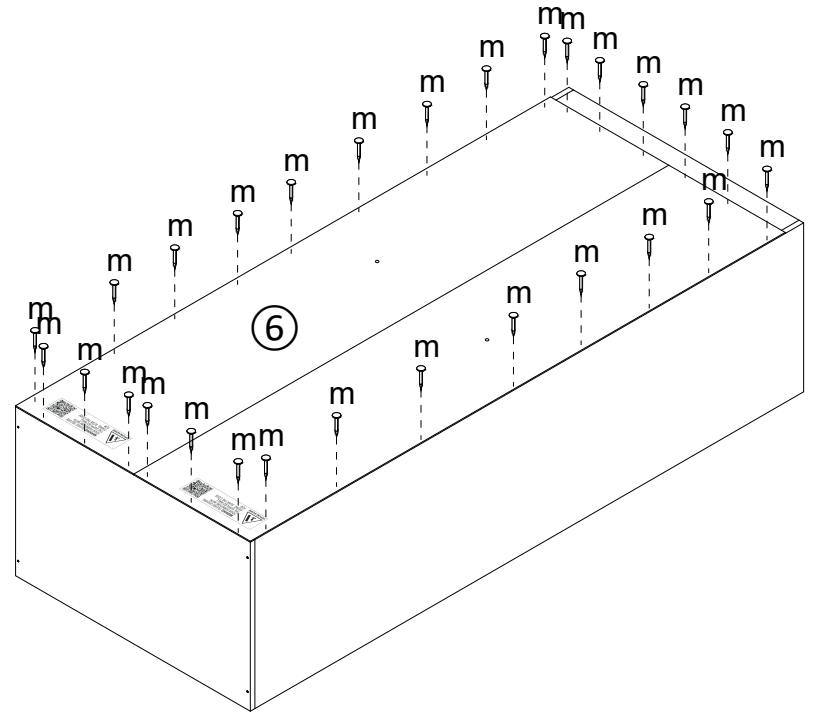
### step 5

-  dx6
-  ex4
-  fx3

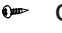


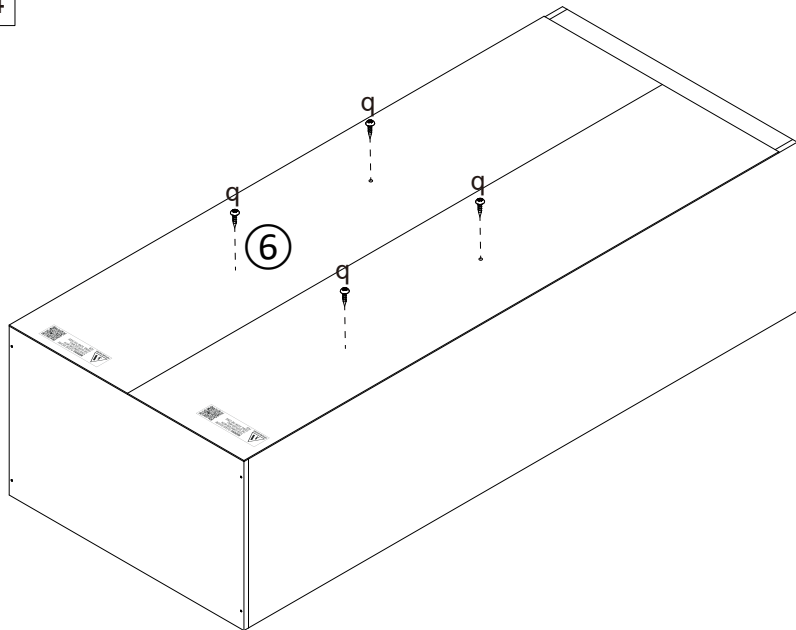
### step 6

-  m x28





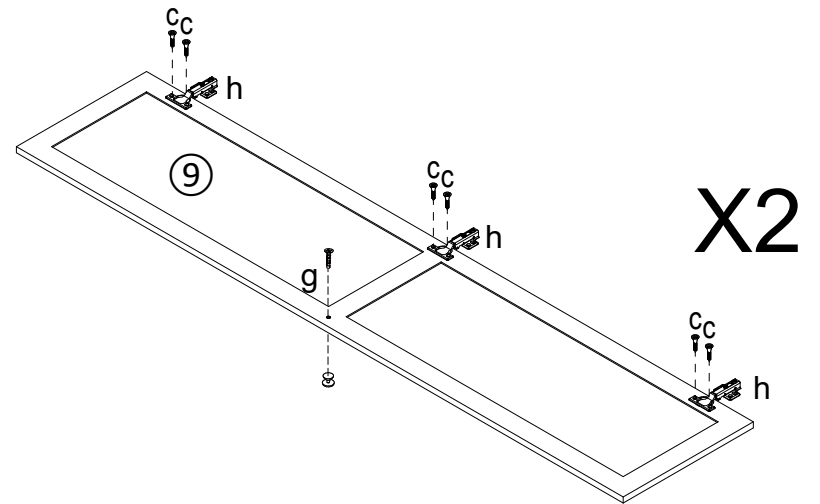
### step 7

-  qx4




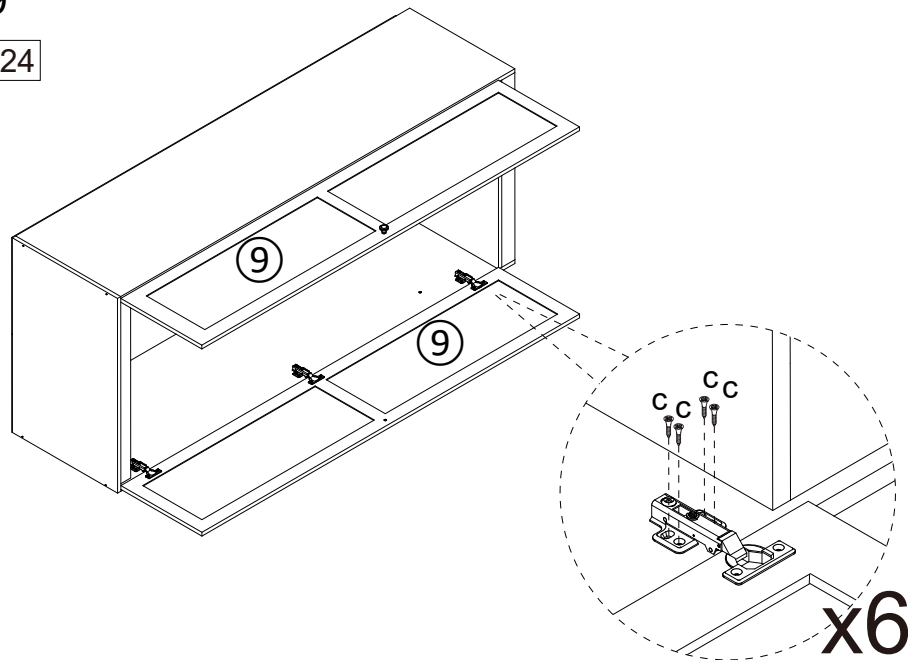
### step 8

-  gx2
-  hx6
-  cx12





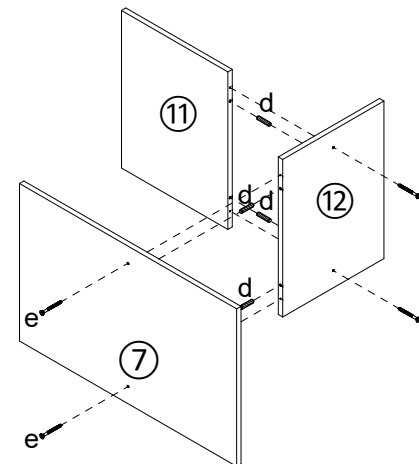
## step 9

 cx24





## step 10

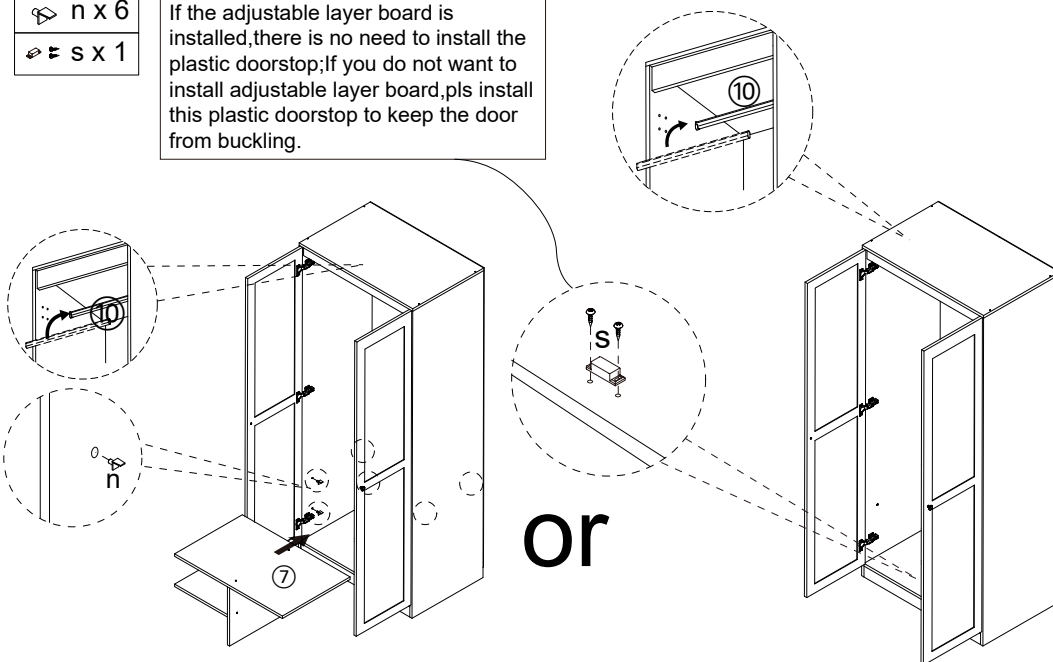
 dx4  
 ex4





## step 11

 n x 6  
 s x 1

If the adjustable layer board is installed, there is no need to install the plastic doorstop; if you do not want to install adjustable layer board, please install this plastic doorstop to keep the door from buckling.



## step 12

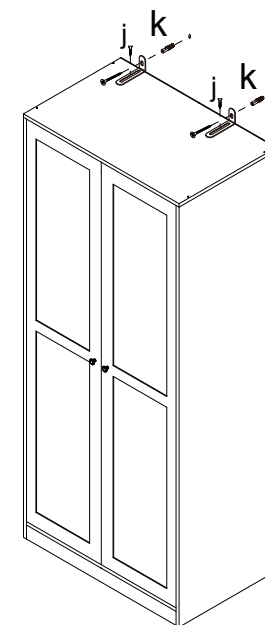
 kx2  
 jx2

User instructions should include the wording:

- **It is strongly recommended that this product is permanently fixed to the wall.**
- **Please seek professional advice if you are in doubt of what fixing device to use.**
- **Regularly check that anchors are securely maintained.**
- **Stability of tall items may be affected by thick pile carpet or uneven floors .**
- **Do not place unanchored televisions on furniture .**

**CAUTION:** for your safety when attaching the anchor fixings, please note the following:

- **Check any electrical wires or plumbing inside the wall before drilling any holes (if you are unsure please seek professional advice from a qualified tradesperson).**



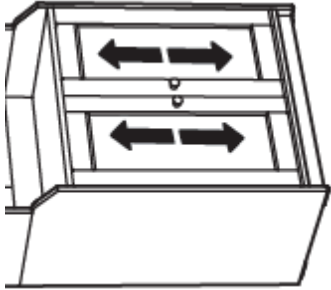
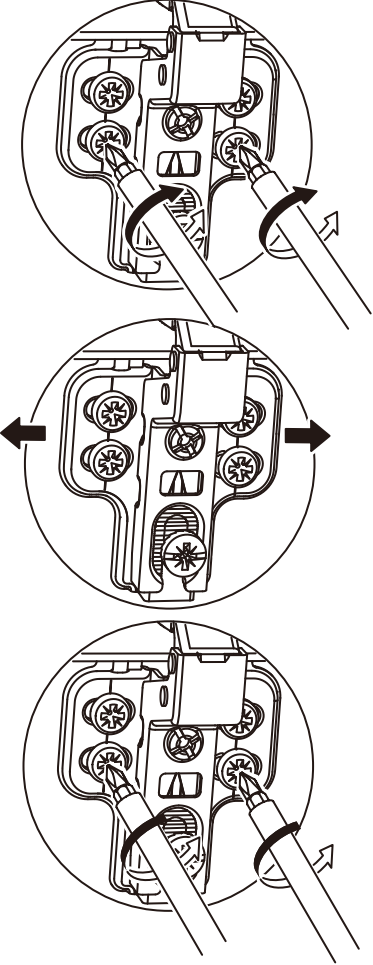
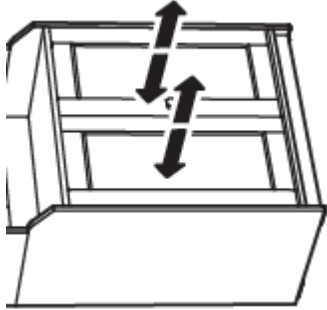
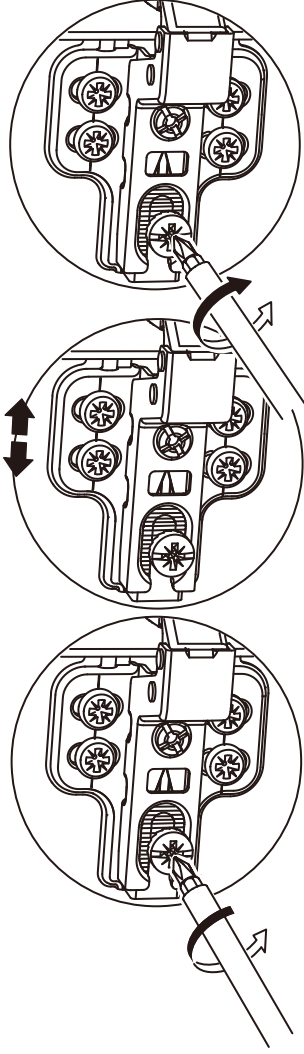
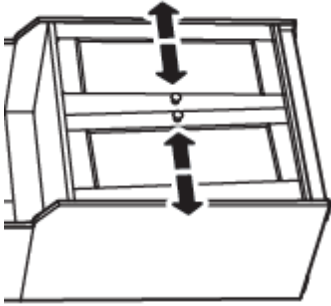
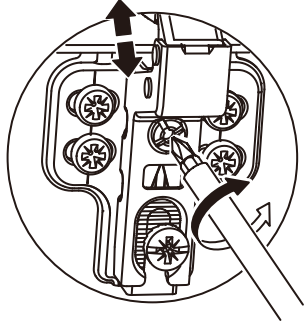
WARNING: PLEASE SECURE YOUR FURNITURE WITH THE SUPPLIED WALL FIXING. SCAN THE CODE FOR MORE INFORMATION.



## Hinger Adjustment Tips

Noted: The door might be scraping, bumping, misaligned when first assembly.

Please follow the below tips:

	 <ol style="list-style-type: none"><li>1. Loosen the two mounting screws on both hinges, but only slightly. ...</li><li>2. Gently close the cabinet door.</li><li>3. With the door still closed, adjust the cabinet door to the desired height.</li><li>4. Open the cabinet door again, being careful not to jostle the door out of position.</li><li>5. Retighten the screws by hand.</li></ol>
	 <p>If the door doesn't meet the box at the top, adjust the top hinge toward the cabinet and/or adjust the bottom hinge away from the cabinet. If the door is gapped at the bottom, do the reverse.</p>
	 <p>You can adjust one or both hinges on each door, depending on how much correction it needs. If the door seems to be tilting down to the right, turn the side-to-side screw on the top hinge so the hinge pulls closer to the side of the cabinet box, moving the top of the door to the left.</p>