

Assembly Instruction

43229000 MARBLE TOP BEDSIDE TABLE

CARE INSTRUCTIONS:

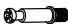

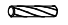

WIPE CLEAN WITH A SOFT DAMP CLOTH. DO NOT USE ABRASIVE MATERIALS AND SOLVENTS. CHECK AND TIGHTEN ALL PARTS REGULARLY. DO NOT PLACE HOT ITEMS SUCH AS COFFEE CUPS DIRECTLY ON THE SURFACE. KEEP AWAY FROM WATER AND DIRECT SUNLIGHT. STORE IN A DRY PLACE. FOR DOMESTIC USE ONLY. FOR INDOOR USE ONLY. A MILD ODOUR MAY BE PRESENT WHEN FIRST OPENING THIS CARTON. SIMPLY ALLOW TO AIR OUTSIDE AND THIS WILL FADE.


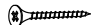


WARNING:





DO NOT STAND OR SIT ON THIS UNIT. DO NOT USE THIS UNIT UNLESS ALL BOLTS AND SCREWS ARE FIRMLY SECURED. DO NOT KNOCK OR DRAG THIS UNIT. USE ONLY ON A FLAT SURFACE. LOAD DRAWER EVENLY TO PREVENT FROM TIPPING OVER. THIS PACKAGE CONTAINS SMALL PARTS AND SHARP POINTS. KEEP AWAY FROM CHILDREN AND BABIES. ADULT ASSEMBLY REQUIRED. FAILURE TO FOLLOW THESE WARNING COULD RESULT IN SERIOUS INJURY.





MAXIMUM SAFE LOAD: 20KG FOR TOP PANEL, 5KG FOR DRAWER.

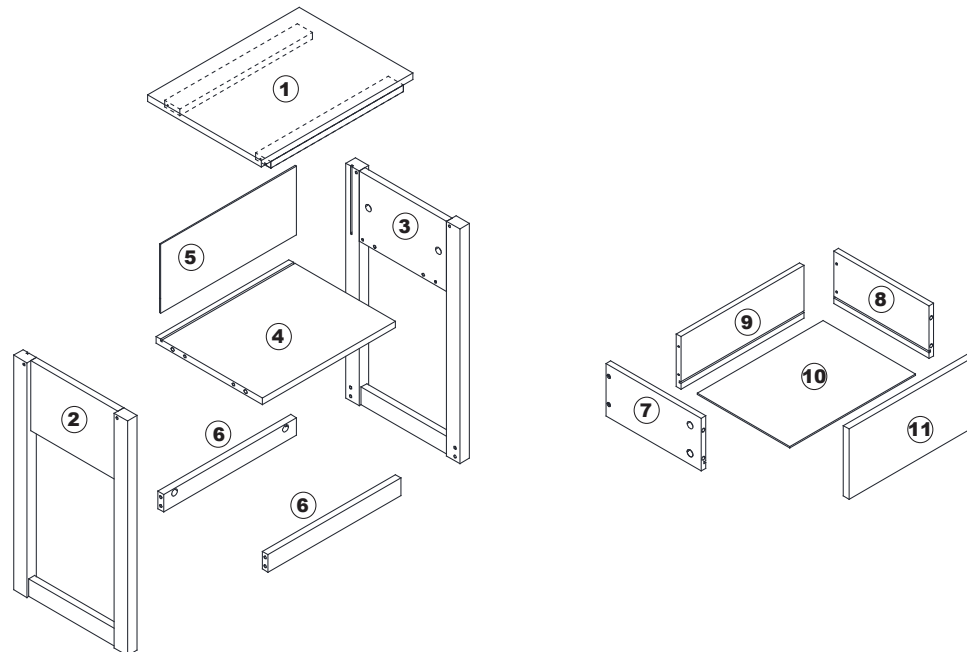
Hardware List

	a	6x35mm	12pcs
	b	15x9mm	12pcs
	c	6x30mm	8pcs
	d		1pc

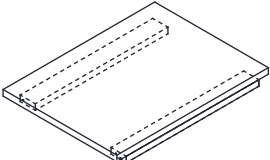
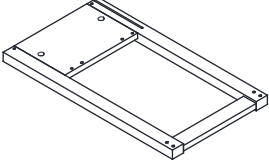
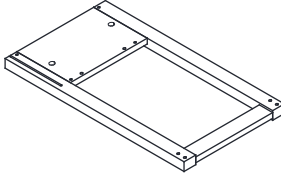
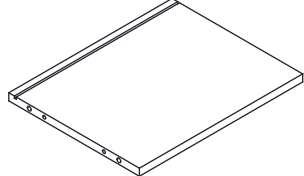
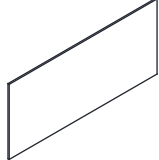
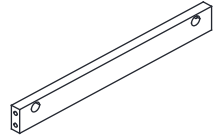
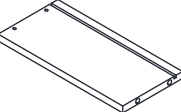
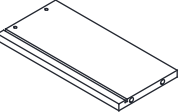
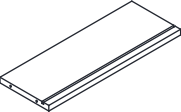
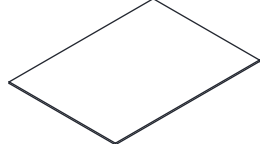
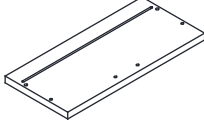
	e	3.5x12mm	3pcs
	f	4x45mm	4pcs
	g	4x35mm	5pcs
	h		4pcs

	i	3x14mm	4pcs
	j	Felt Foot Pad	4pcs
	k	Paper Cover	4pcs
	l		1pc

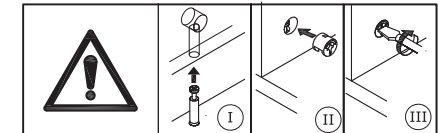
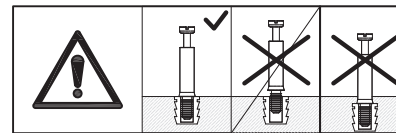
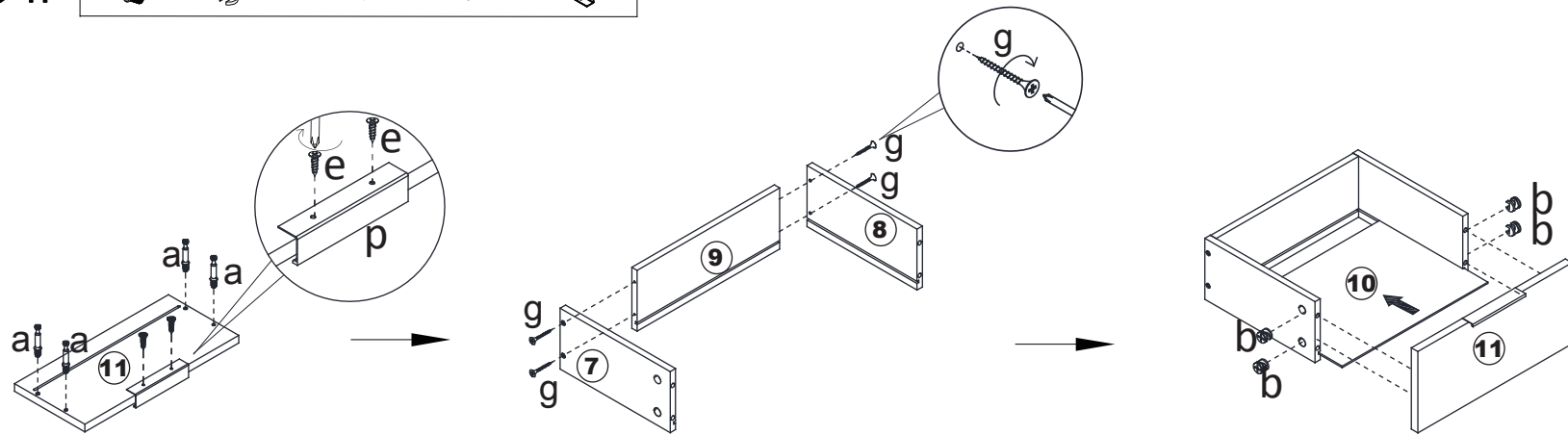
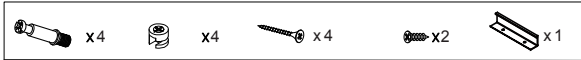
	m	4x12mm	1pc
	n	6x35mm	1pc
	o		2pcs
	p		1pc



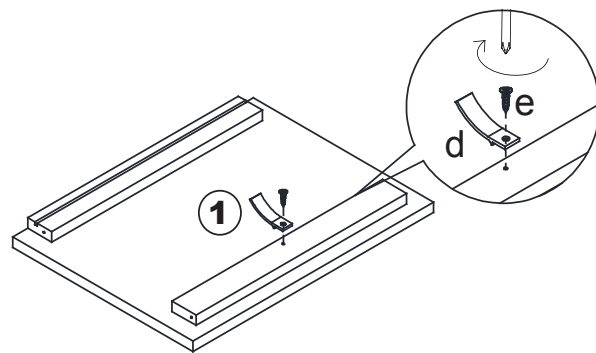
Do not tighten the screws fully during assembly.
Fully tighten screws after the final assembly steps.

											
①	1 PC	②	1 PC	③	1 PC	④	1 PC	⑤	1 PC	⑥	2 PCS
											
⑦	1 PC	⑧	1 PC	⑨	1 PC	⑩	1 PC	⑪	1 PC		

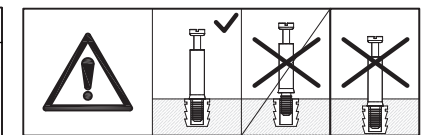
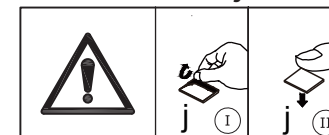
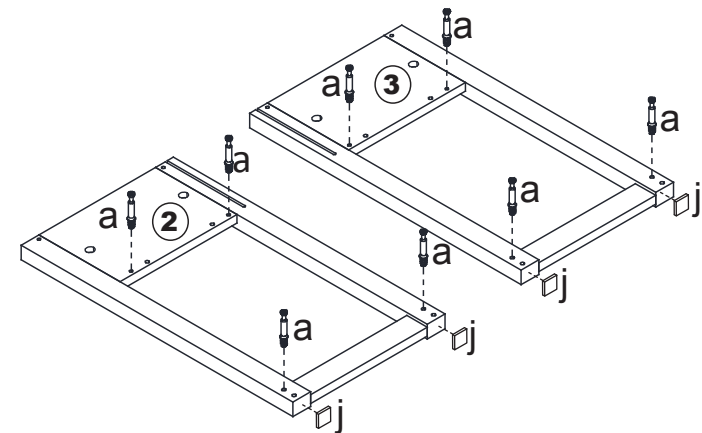
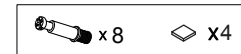
Step 1:



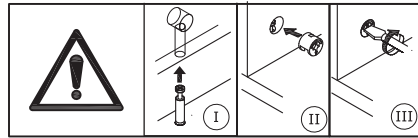
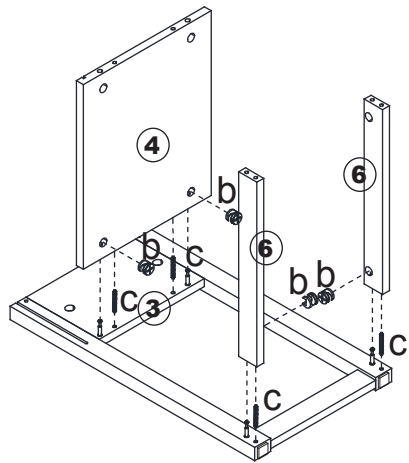
Step 2:



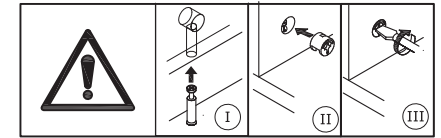
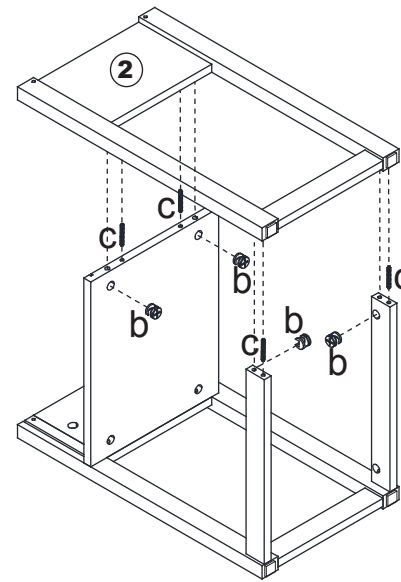
Step 3:



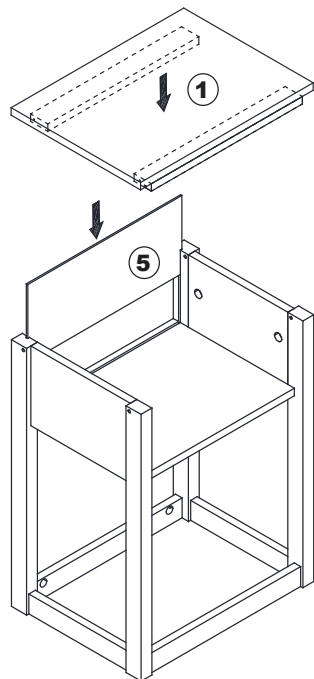
Step 4:



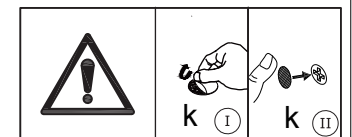
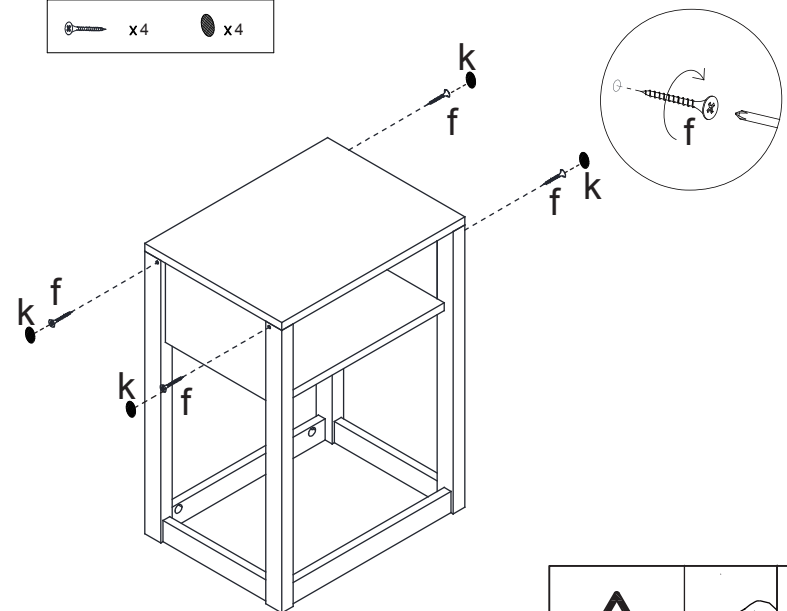
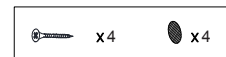
Step 5:



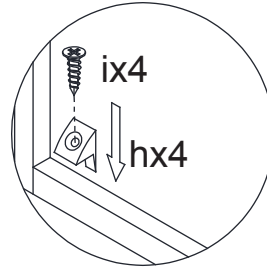
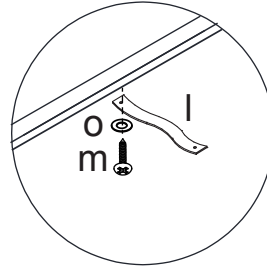
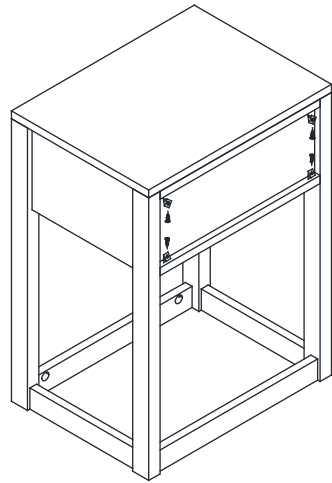
Step 6:



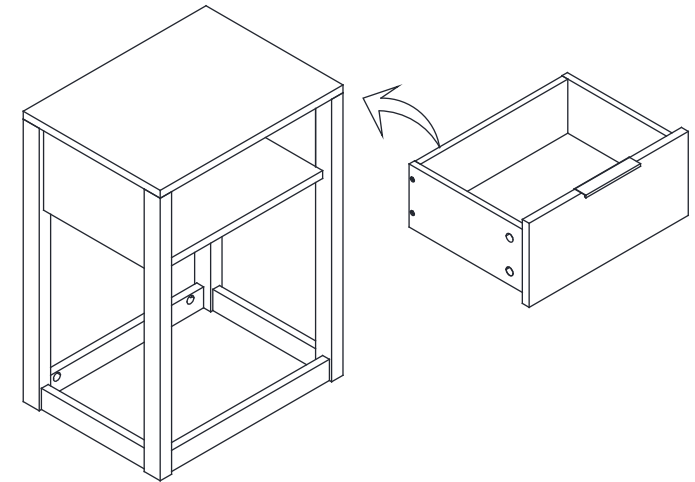
Step 7:



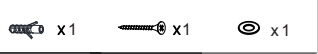
Step 8:



Step 9:



Step 10:



User instructions should include the wording:

- **It is strongly recommended that this product is permanently fixed to the wall.**
- **Please seek professional advice if you are in doubt of what fixing device to use.**
- **Regularly check that anchors are securely maintained.**
- **Stability of tall items may be affected by thick pile carpet or uneven floors .**
- **Do not place unanchored televisions on furniture .**

CAUTION: for your safety when attaching the anchor fixings, please note the following:

- **Check any electrical wires or plumbing inside the wall before drilling any holes (if you are unsure please seek professional advice from a qualified tradesperson).**



WARNING: PLEASE SECURE YOUR FURNITURE WITH THE SUPPLIED WALL FIXING. SCAN THE CODE FOR MORE INFORMATION.

