

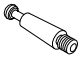

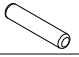











Assembly Instructions

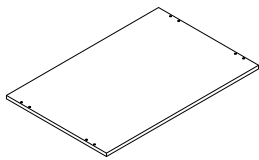
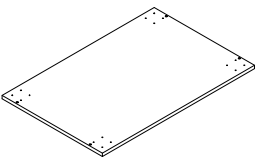
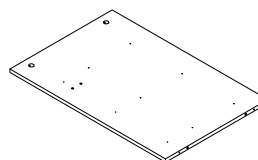
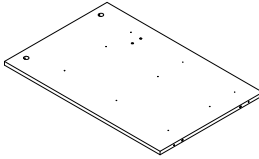
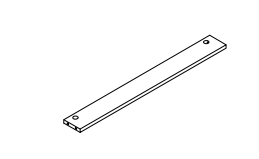
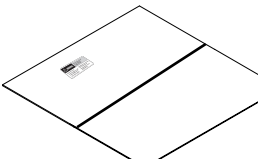
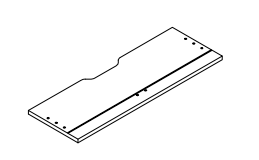
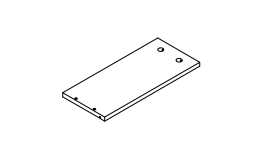
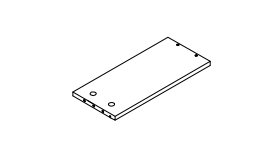
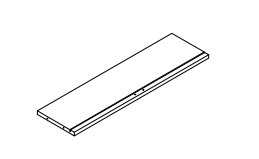
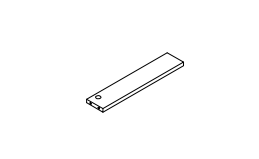
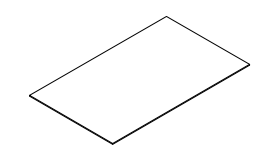
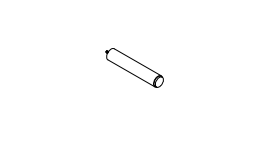
43228522 OAK LOOK 3 DRAWER CHEST

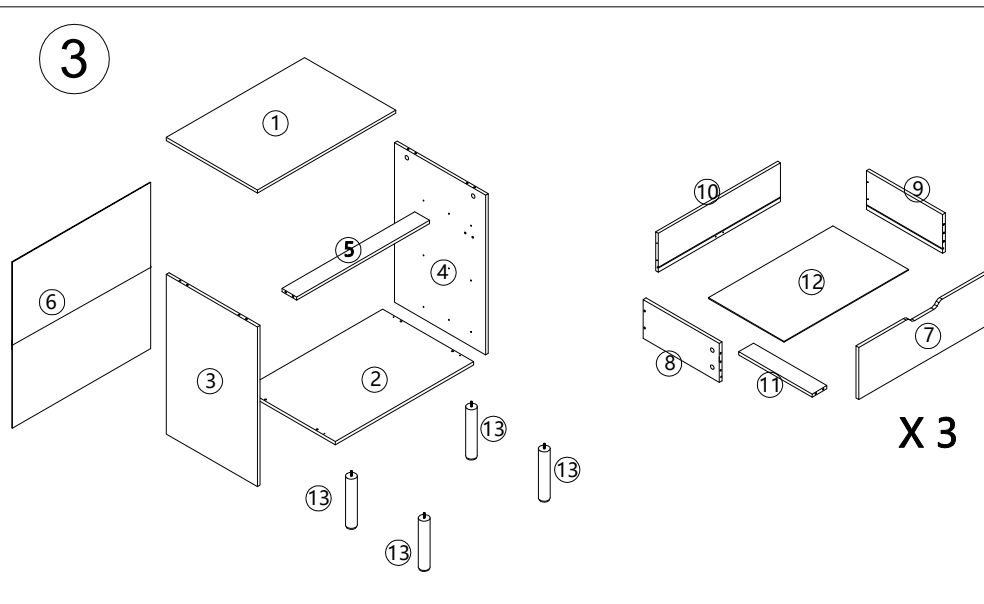
WARNING: DO NOT STAND, SIT OR LEAN ON THIS UNIT. ENSURE THIS UNIT IS SECURED TO THE WALL TO PREVENT A TOPPLING HAZARD. DO NOT USE THIS UNIT AS A STEP LADDER OR AS A CHOPPING SURFACE. ENSURE THIS UNIT IS USED ONLY ON A FLAT SURFACE. DO NOT USE THIS UNIT UNLESS ALL BOLTS AND SCREWS ARE FIRMLY SECURED.

CARE INSTRUCTIONS: TO BE ASSEMBLED ON A CLEAN DRY AND SMOOTH SURFACE. WIPE CLEAN WITH A SOFT DAMP CLOTH. NEVER USE SCOURERS, ABRASIVES OR CHEMICAL SOLVENTS. CHECK & TIGHTEN ALL PARTS REGULARLY. KEEP AWAY FROM MOISTURE AND DIRECT SUNLIGHT. STORE IN A DRY PLACE. FOR INDOOR AND DOMESTIC USE ONLY.




MAXIMUM SAFE LOAD: 10KGS FOR TOP PANEL, 5KGS FOR EACH DRAWER.

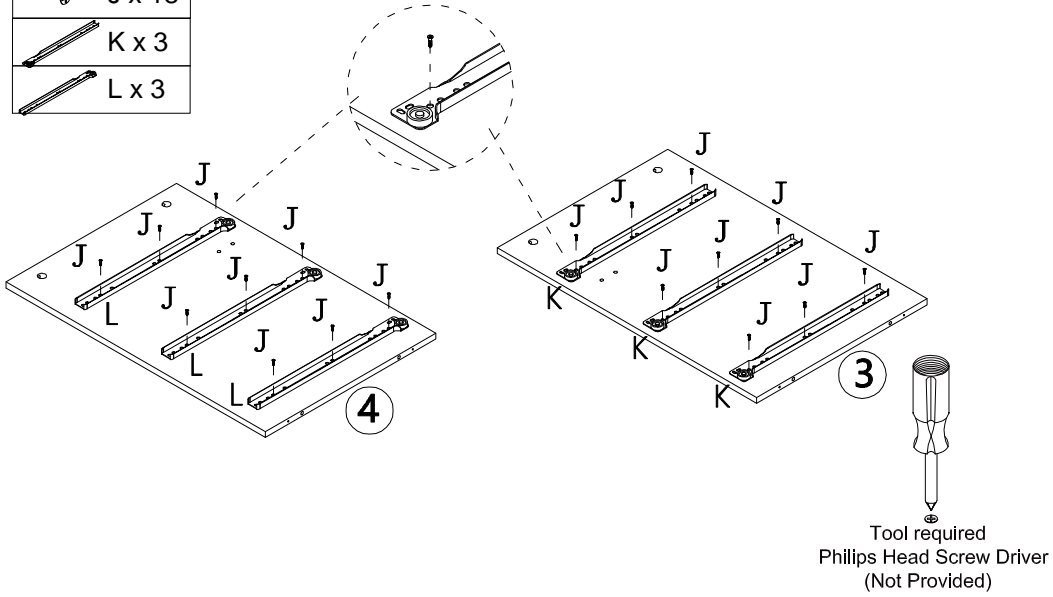
1 Hardware List			
	A	M6x35mm	21pcs
	B	Ø15x9.5mm	21pcs
	C	Ø6x30mm	19pcs
	D	M4x35mm	22pcs
	E		4pcs
	F	M3.5x10mm	16pcs
	G	M2x16mm	20pcs
	H	M4x12mm	1pc
	I	M4x35mm	1pc
	J	M3.5x12mm	36pcs
	K		3pcs
	L		3pcs
	M		3pcs
	N		3pcs

2		
		
① 1PC	② 1PC	③ 1PC
		
④ 1PC	⑤ 1PC	⑥ 1PC
		
⑦ 3PCS	⑧ 3PCS	⑨ 3PCS
		
⑩ 3PCS	⑪ 3PCS	⑫ 3PCS
		
⑬ 4PCS		






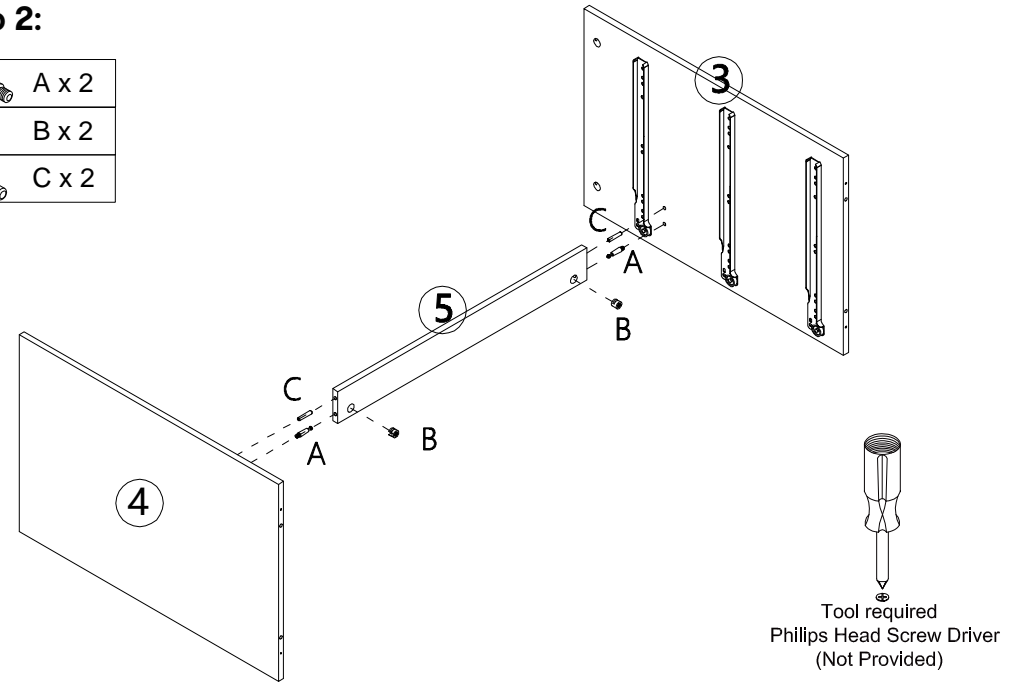
Step 1:

- | | |
|--|--------|
|  | J x 18 |
|  | K x 3 |
|  | L x 3 |







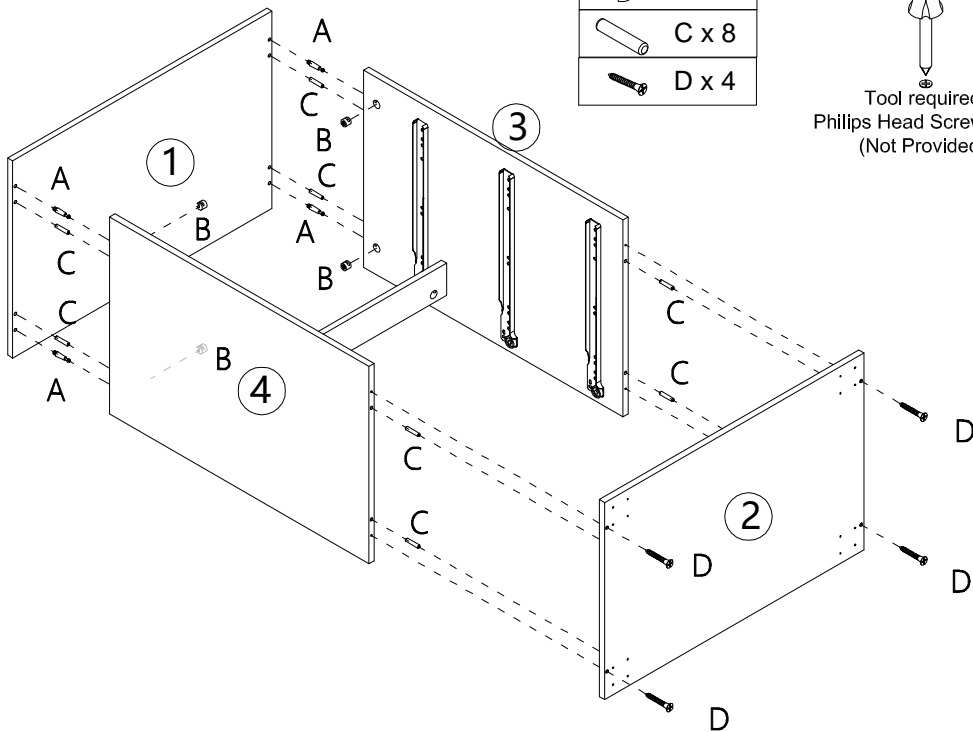
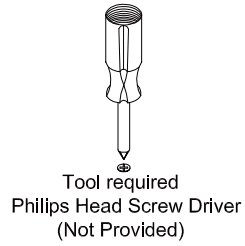
Step 2:

- | | |
|---|-------|
|  | A x 2 |
|  | B x 2 |
|  | C x 2 |



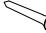


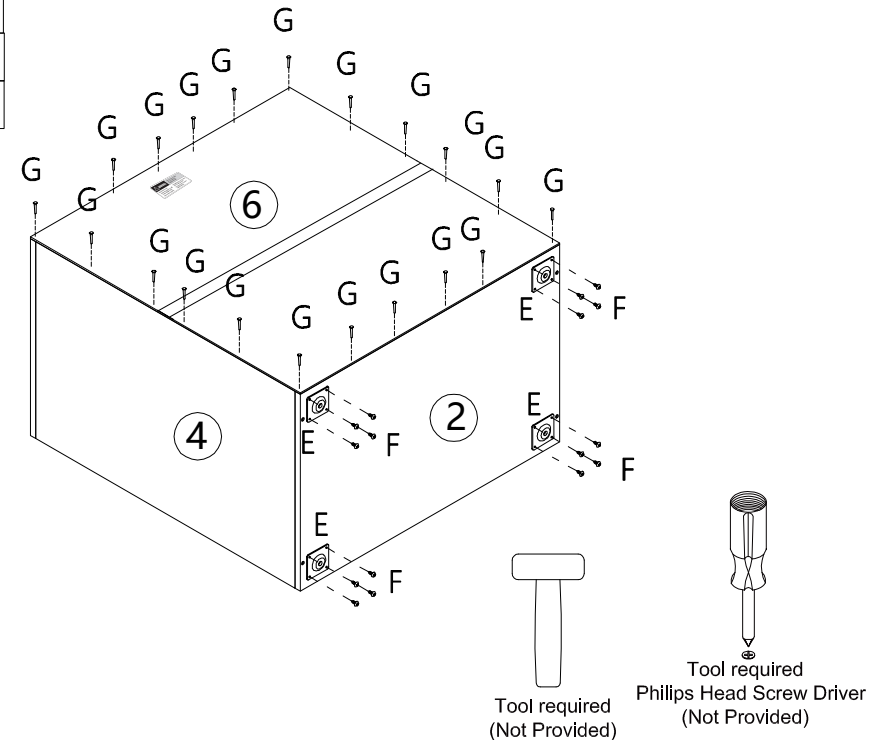
Step 3:

- | | |
|---|-------|
|  | A x 4 |
|  | B x 4 |
|  | C x 8 |
|  | D x 4 |

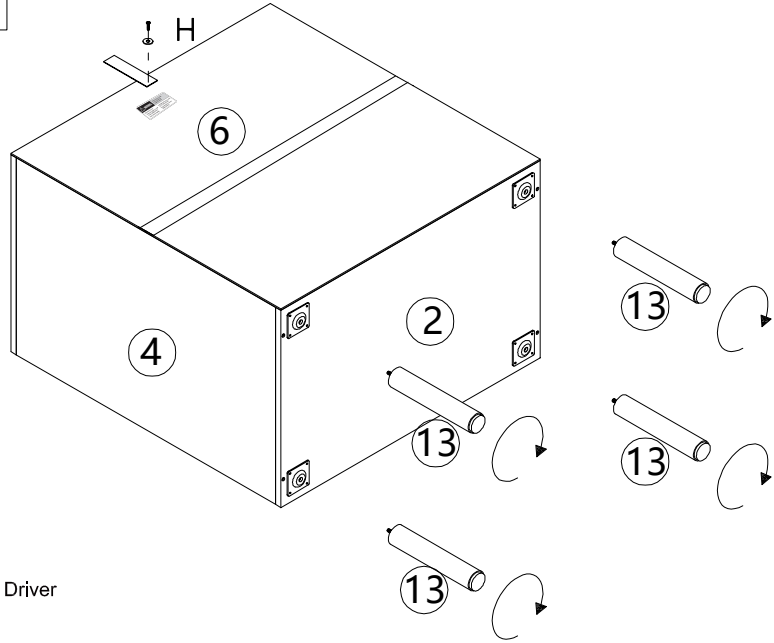
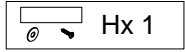


Step 4:

- | | |
|---|--------|
|  | E x 4 |
|  | F x 16 |
|  | G x 20 |

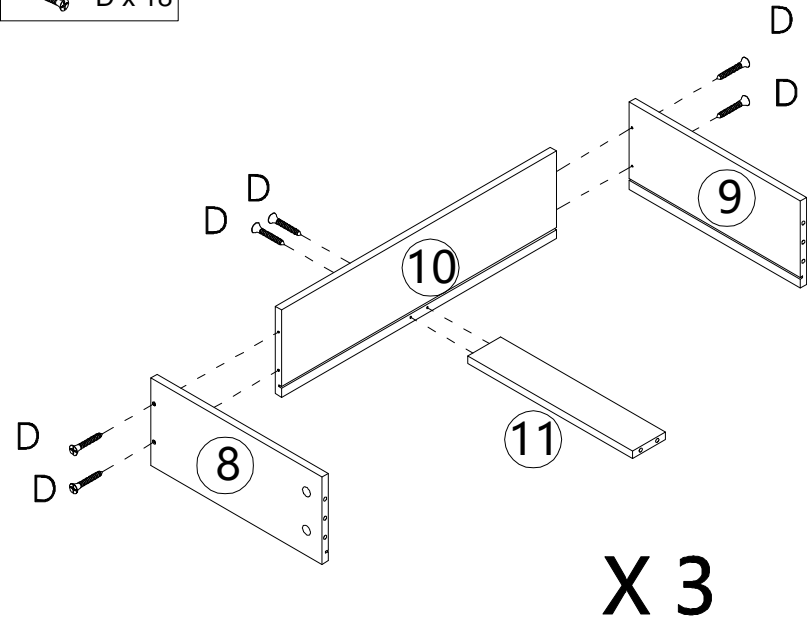


Step 5:



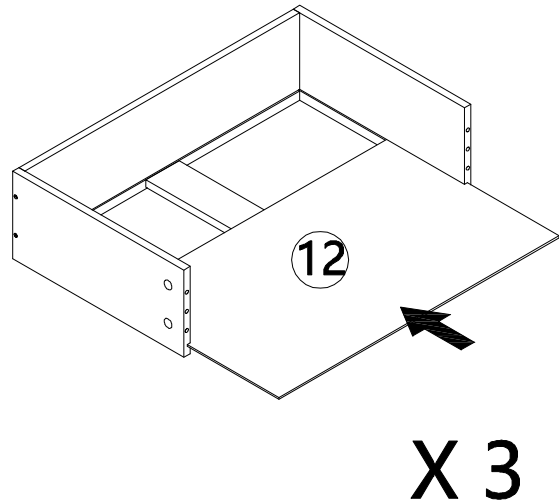
Tool required
Phillips Head Screw Driver
(Not Provided)

Step 6:



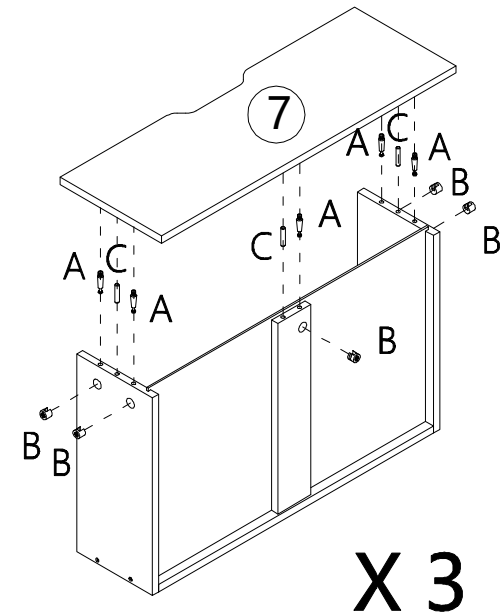
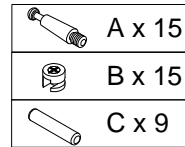
Tool required
Phillips Head Screw Driver
(Not Provided)

Step 7:






X 3

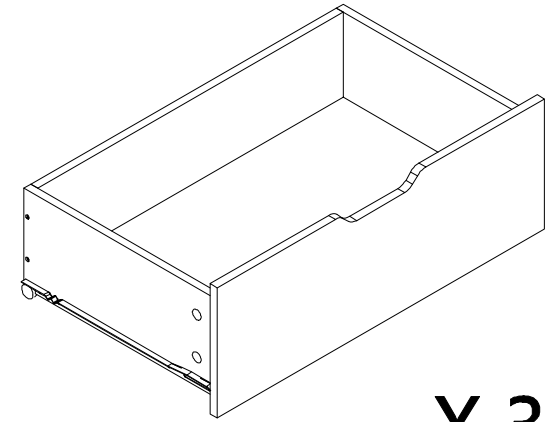
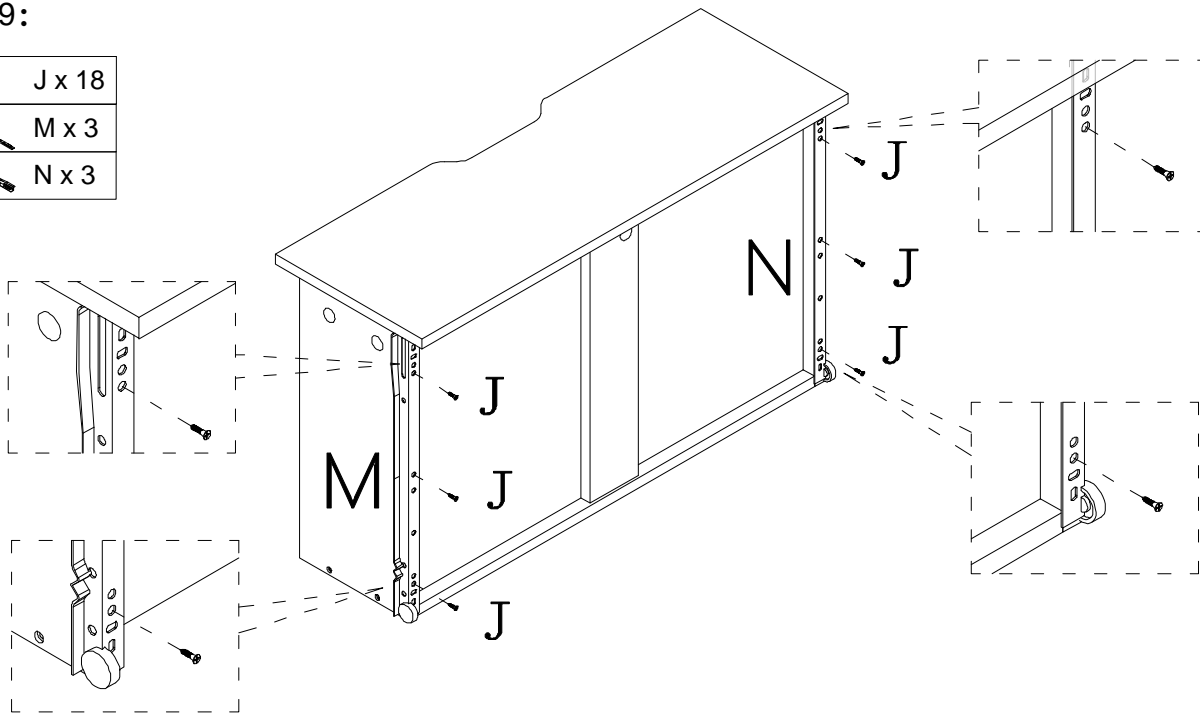
Step 8:



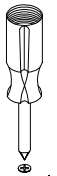
Tool required
Phillips Head Screw Driver
(Not Provided)

step 9:

-  J x 18
-  M x 3
-  N x 3



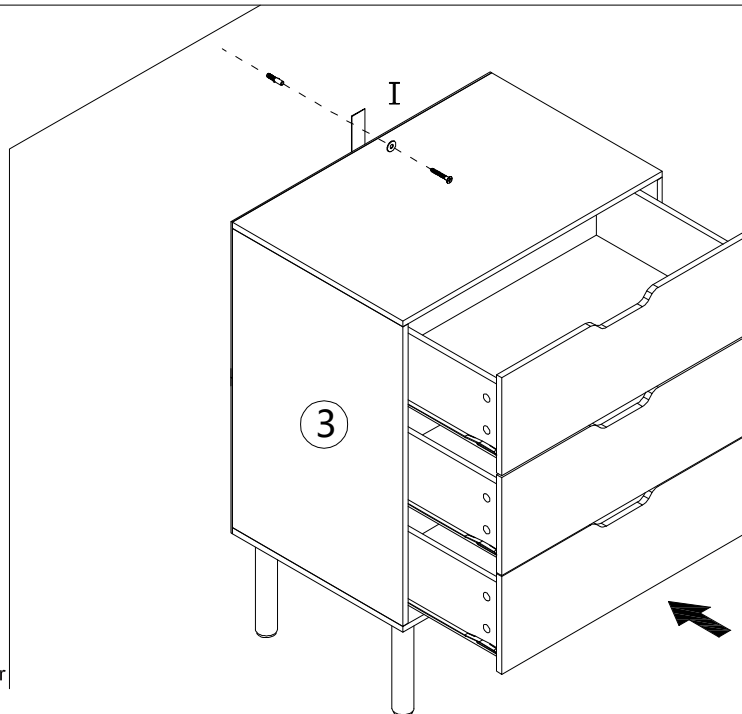
X 3



Tool required
Philips Head Screw Driver
(Not Provided)

Step 10:

-  I x 1

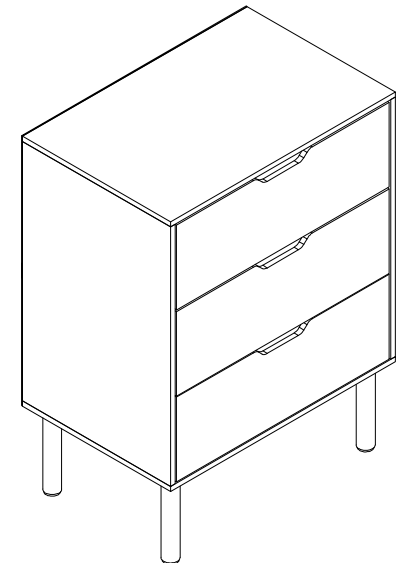


User instructions should include the wording:

- **It is strongly recommended that this product is permanently fixed to the wall.**
- **Please seek professional advice if you are in doubt of what fixing device to use.**
- **Regularly check that anchors are securely maintained.**
- **Stability of tall items may be affected by thick pile carpet or uneven floors .**
- **Do not place unanchored televisions on furniture .**

CAUTION: for your safety when attaching the anchor fixings, please note the following:

- **Check any electrical wires or plumbing inside the wall before drilling any holes (if you are unsure please seek professional advice from a qualified tradesperson).**



WARNING: PLEASE SECURE YOUR FURNITURE WITH THE SUPPLIED WALL FIXING. SCAN THE CODE FOR MORE INFORMATION.



Tool required
Philips Head Screw Driver
(Not Provided)