

Assembly Instructions

43219360 FRASER RATTAN BEDSIDE TABLE

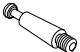






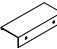






WARNING: DO NOT STAND, SIT OR LEAN ON THIS UNIT. DO NOT USE THIS UNIT AS A STEP LADDER OR AS A CHOPPING SURFACE. ENSURE THIS UNIT IS USED ONLY ON A FLAT SURFACE. DO NOT USE THIS UNIT UNLESS ALL BOLTS AND SCREWS ARE FIRMLY SECURED. DO NOT PLACE HOT ITEMS SUCH AS COFFEE CUPS DIRECTLY ON THE SURFACE OF THIS FURNITURE ITEM.

CARE INSTRUCTIONS: TO BE ASSEMBLED ON A CLEAN, DRY AND SMOOTH SURFACE. WIPE CLEAN WITH A SOFT DAMP CLOTH. NEVER USE SCOURERS, ABRASIVES OR CHEMICAL SOLVENTS. CHECK AND TIGHTEN ALL PARTS REGULARLY. KEEP AWAY FROM MOISTURE AND DIRECT SUNLIGHT. STORE IN A DRY PLACE. FOR INDOOR USE ONLY.

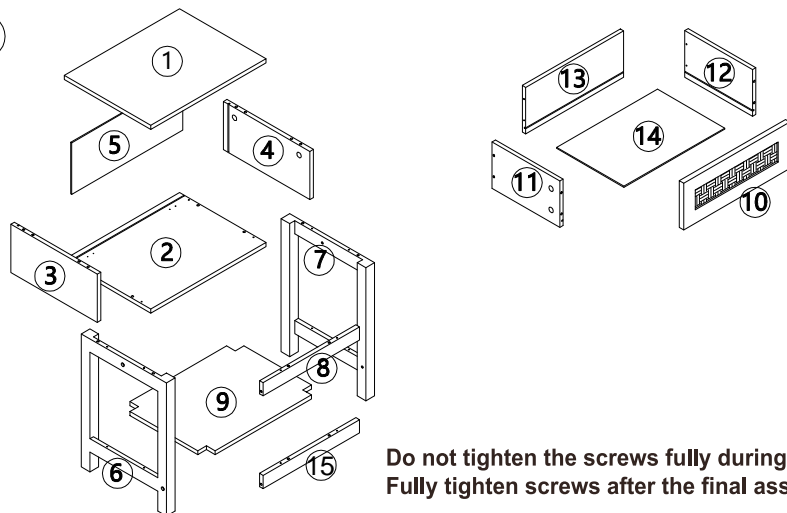
MAXIMUM SAFE LOAD: 10KGS FOR TOP PANEL, 5KGS FOR DRAWER, 5KGS FOR SHELF.

①

Hardware List

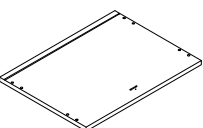
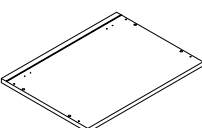
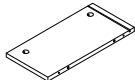
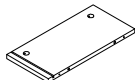
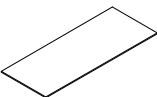
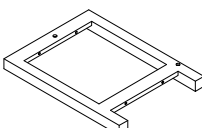
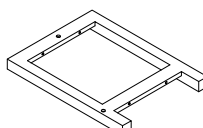

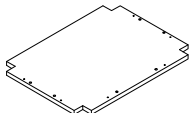
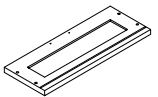
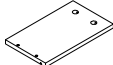
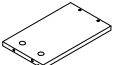
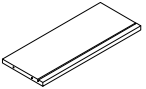
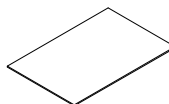
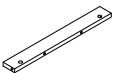
	A	M6x35mm	8pcs		H		1pc
	B	Ø15x9.5mm	8pcs		I		2pcs
	C	Ø6x30mm	20pcs		J		1pc
	D	M4x35mm	20pcs		K		1pc
	E	M3.5x12mm	2pcs		L	M3x12mm	5pcs
	F	M6x60mm	4pcs		M	M3x16mm	4pcs
	G	Ø10x9.5mm	4pcs		N		4pcs

②








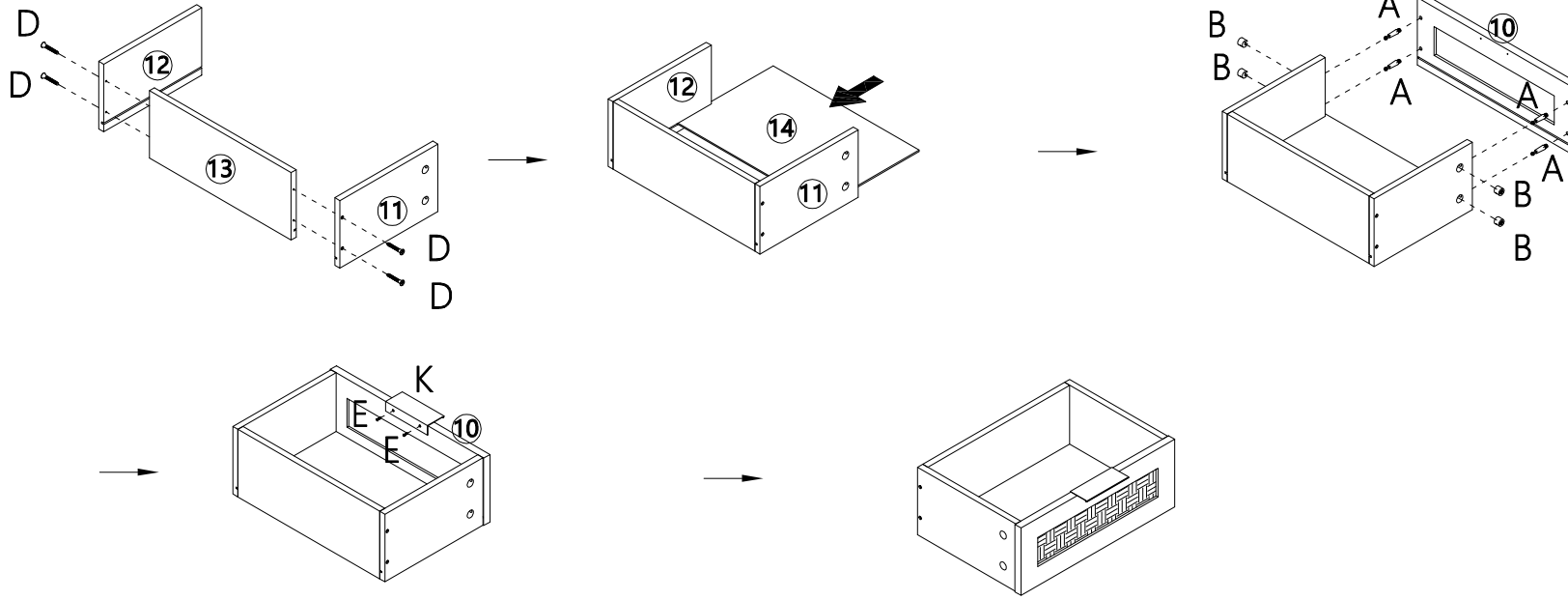
Do not tighten the screws fully during assembly.
Fully tighten screws after the final assembly steps

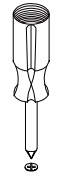
③

	①	1PC		②	1PC		③	1PC		④	1PC
	⑤	1PC		⑥	1PC		⑦	1PC		⑧	1PC
	⑨	1PC		⑩	1PC		⑪	1PC		⑫	1PC
	⑬	1PC		⑭	1PC		⑮	1PC			





STEP 1:

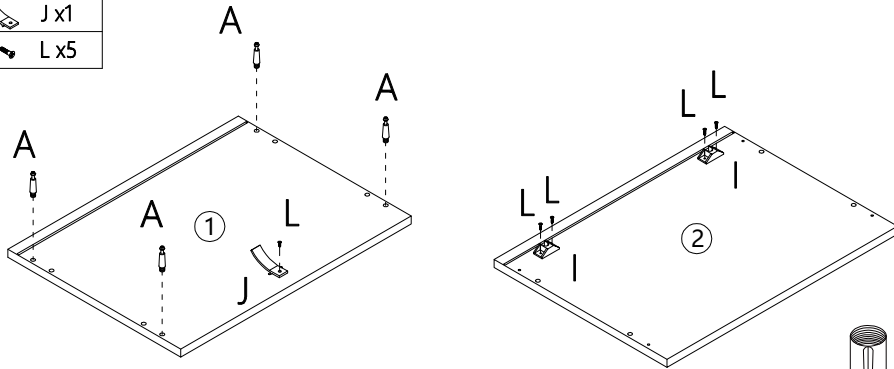
-  A x4
-  B x4
-  D x4
-  K x1
-  E x2

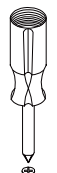



 Tool required
 Philips Head Screw Driver
 (Not Provided)

STEP 2:

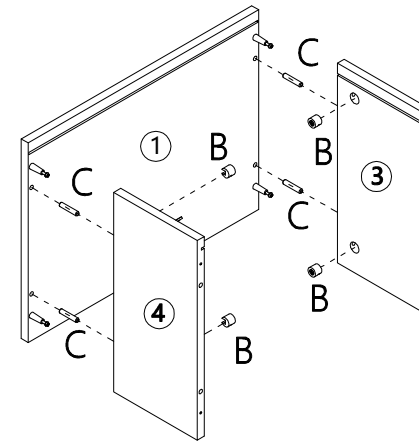
-  A x4
-  I x2
-  J x1
-  L x5

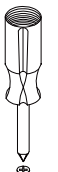



 Tool required
 Philips Head Screw Driver
 (Not Provided)

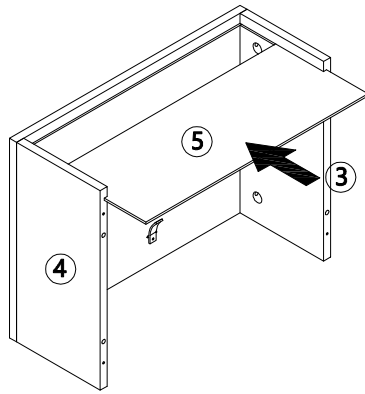
STEP 3:

-  B x4
-  C x4

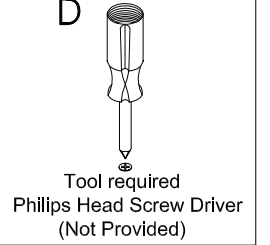
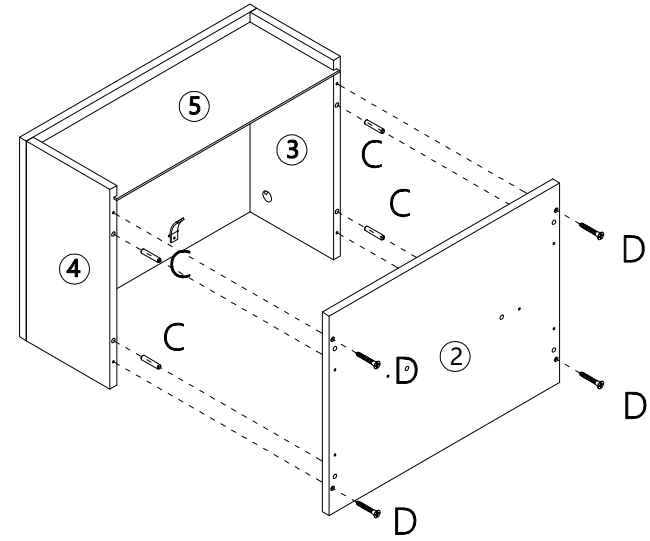
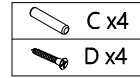



 Tool required
 Philips Head Screw Driver
 (Not Provided)

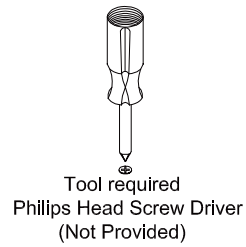
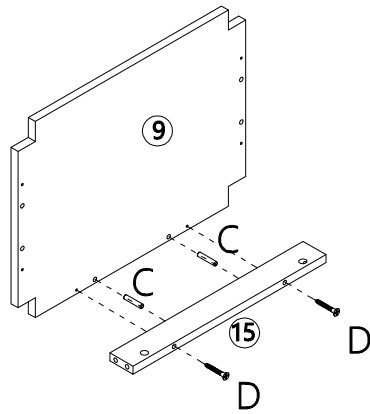
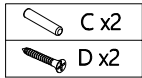
STEP 4:



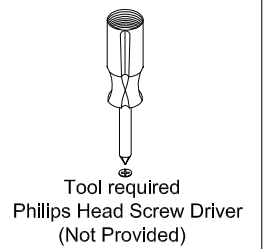
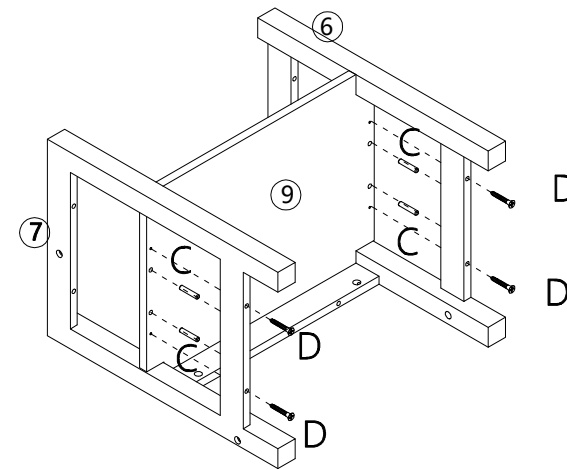
STEP 5:



STEP 6:

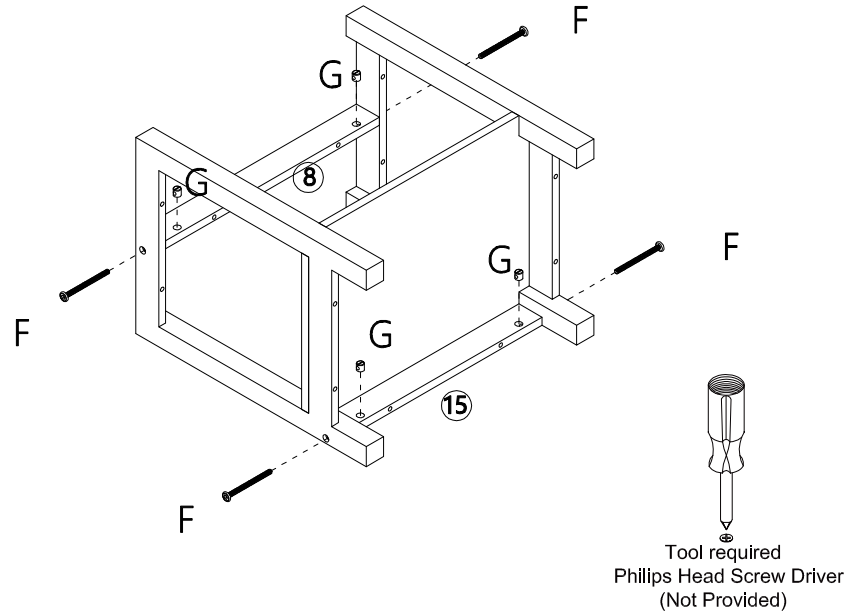


STEP 7:



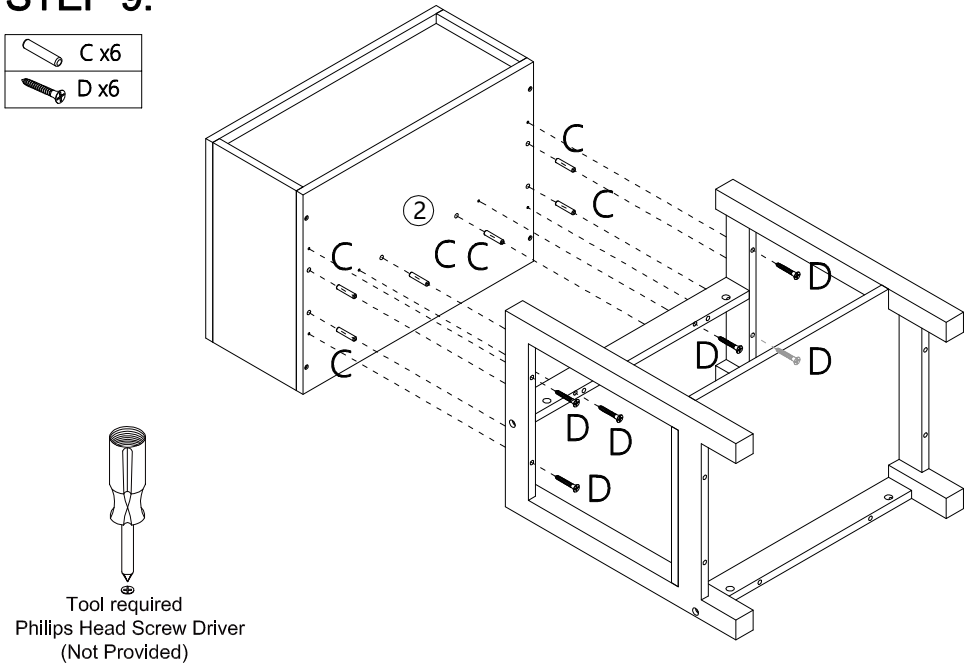
STEP 8:

- F x4
- G x4



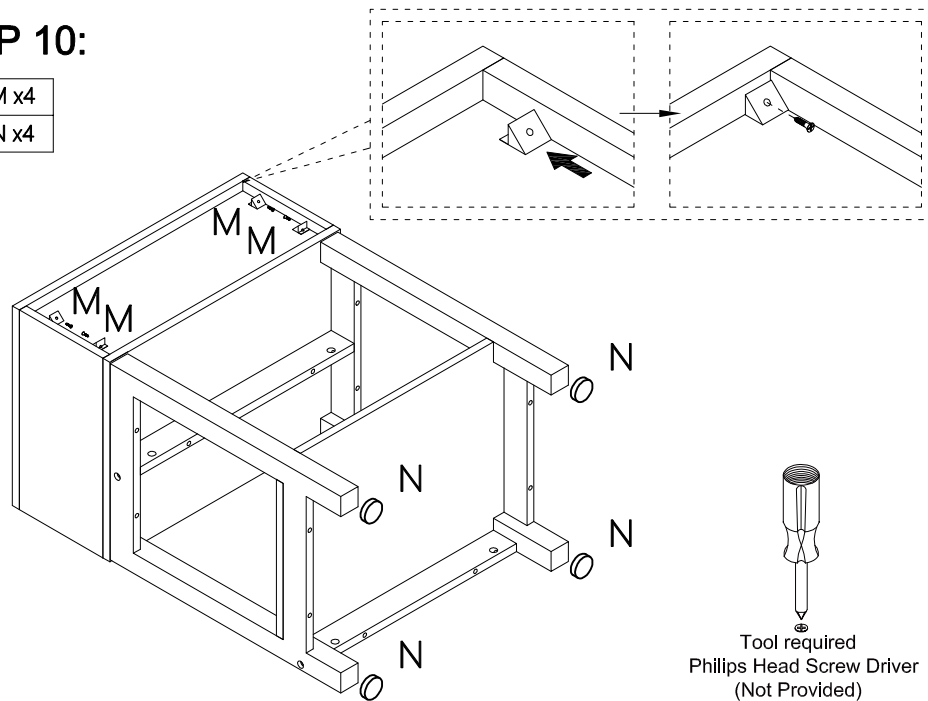
STEP 9:

- C x6
- D x6



STEP 10:

- M x4
- N x4



STEP 11:

