

anko

Cordless Hair Straightener

INSTRUCTION MANUAL



Model No.: BY-216

1 | Page

Please read this instruction manual before using your hair straightener and keep it in a safe place for future reference. If you pass the appliance on to anyone else, please include this manual.

INTRODUCTION

Use this appliance to straighten human hair only. Do not use this appliance on artificial hair or animals.

IMPORTANT! The appliance may have different results depending on the hair type. Therefore, we recommend to do a trial at a hidden spot before first use. The hair straightener is not recommended for damaged or bleached hair.

SAFETY PRECAUTIONS

- Carefully read all instructions before operation and retain for future reference.
- Do not place near the edge of a bench or table during operation.
- Ensure the surface is dry, level, clean and free of liquid and other substances.
- Always place the appliance on a heat-resistant, stable flat surface.
- **Do not leave the Cordless Hair Straightener unattended when in use.** Always ensure the appliance is turned off by switching off and unplugging the appliance when not in use, if left unattended and before cleaning and storing
- Always keep the appliance clean.
- To protect against electric shock, do not immerse the power cord, plug or appliance in water or any other liquid.
- This appliance is not intended for use by persons (including children) with reduced physical, sensory or mental capabilities, or lack of experience and knowledge, unless they have been given supervision or instruction concerning use of the appliance by a person responsible for their safety.
- Children should be supervised to ensure that they do not play with this appliance.
- This product is intended for household use only, not designed for commercial industrial purposes. Do not use it outdoors.
- NEVER grasp the appliance, charging cable or USB plug with wet hands.
- Do not use or leave the USB charging cable in a position where it can become wet or there is a danger of it falling into a basin or other vessels containing water.
- Please do not attempt to dismantle the appliance. This appliance has no user-serviceable parts inside.
- Do not use outdoors or operate where aerosol (spray) products are being used or where oxygen is being administered.

RISK OF FIRE

- Do not leave the appliance unattended when in use.
- To avoid a build-up of heat, NEVER cover the appliance. Do not use the appliance under a blanket or at other poorly ventilated locations
- Avoid the addition of heat from other sources, e.g., from direct sunlight, heating appliances, other devices, etc.

ELECTRICAL REQUIREMENT

- Check that the voltage on the rating plate of your appliance corresponds with your adaptor supply.
- Recharge this appliance with the USB charging cable supplied. If using other charging

2 | Page

12 Month Warranty

Thank you for your purchase.

Your new product is warranted to be free from defects in materials and workmanship for the period stated above, from the date of purchase, provided that the product is used in accordance with accompanying recommendations or instructions where provided. This warranty is in addition to your rights under the Australian Consumer Law.

For New Zealand customers, this warranty is in addition to statutory rights observed under New Zealand legislation.

We will provide you with your choice of a refund, repair (where possible) or exchange (availability dependent) for this product if it becomes defective within the warranty period. The business will bear the reasonable expense of claiming the warranty.

This warranty will no longer apply where the defect is a result of alteration, accident, misuse, abuse or neglect.

Please retain your receipt as proof of purchase and contact our Customer Service Centre as listed below, for the entity you purchased this product from, for any difficulties with your product. Warranty claims and claims for expense incurred in returning this product can be addressed to the respective Customer Service Centre.

Our goods come with guarantees that cannot be excluded under the Australian Consumer Law. You are entitled to a replacement or refund for a major failure and compensation for any other reasonably foreseeable loss or damage. You are also entitled to have the goods repaired or replaced if the goods fail to be of acceptable quality and the failure does not amount to a major failure.

Contact for Kmart purchases	Contact for Target purchases
Kmart Australia Ltd. C/- Customer Service Centre 690 Springvale Road, Mulgrave Vic 3170 Customer Service: 1800 124 125 (Australia) or 0800 945 995 (New Zealand) or via Customer Help at kmart.com.au	Target Australia Pty Ltd C/- Customer Service Centre 2 Kendall Street, Williams Landing, Vic, 3027 Customer Service: 1300 753 567 or via Customer Help at target.com.au/help/contact-us

7 | Page

DISPOSAL

If the hair straightener is to be disposed the batteries should be removed from the appliance before it is scrapped. The hair straightener must be disconnected from the charger when removing the battery. The battery should be disposed safely. Used batteries should be taken to a recycling facility and not disposed with normal household waste.

IMPORTANT: Always fully discharge the batteries before removal and ensure the charger is disconnected from mains power.

TECHNICAL DATA

Model no.	BY-216
Working time	Up to 30 minutes
Charging time	Approx. 3-4hr
Input	5V d.c. 2A
Battery type	Rechargeable li-ion battery, 2600mAh, 3.65V x 1 cell

cable, please use one that can be charged with a charging current of 2A or more.

IMPORTANT!

- Never operate this appliance if it has been dropped or damaged, or if it is not working correctly.
- Always allow the appliance to cool down before storing away in a location where children cannot reach it.



WARNING: Do not recharge non-rechargeable batteries.



WARNING: Before charging the product, please make sure your hands are dry.



Danger of suffocation! Keep all packaging material away from children. Dispose of the packaging materials in an appropriate way. Contact your local authorities about collection points or waste separation.



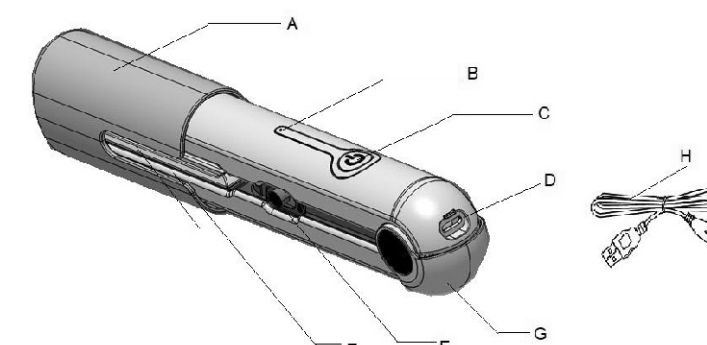
Burn Hazard! The appliance gets very hot during use! Keep appliance out of reach from young children, particularly during use and cool down. Only touch the handle and switch. Avoid all contact with ears, eyes, face and neck. Never touch the heating tongs.



WARNING: Do not use this appliance near bathtubs, showers, basins or other vessels containing water.

6 | Page

PARTS



(A) Travel Cap
 (B) Charging indicator
 (C) On/Off switch with indicator
 (D) Charging port

(E) Heating plates
 (F) Plate lock
 (G) Charging port cover
 (H) 2A USB charging cable

BEFORE FIRST USE

- After unpacking the appliance, check for transport damage and that all the parts mentioned in this manual are present. In the event of damaged or missing parts, return the product back to Kmart.
- Do not discard the original box. It can be used for storage and dispatch to avoid transport damage.
- Clean the appliance as described in Cleaning and Maintenance. For your safety, make particular attention to the safety instructions supplied in the instructions manual when using this product.


CHARGING

- Fully charge the appliance before first use.
- Please make sure the power is OFF before charging.
- Charging indicator illuminates RED when the straightener is charging.
- The charge time is approximately 4 hours. The charging indicator will turn to GREEN when the battery is fully charged.
- When fully charged, the hair straightener can work for approximately 30 minutes.
- For best performance, always fully charge the hair straightener before use.




Note: The hair straightener will not function while charging.

OPERATION

WARNING! Never touch the hot heating plates.
WARNING! Always use the handle to hold the hair straightener.
ATTENTION! The heating plates cool down slower than they heat up.

- Remove the travel cap.
- Place the appliance on a stable, flat, dry, heat resistant surface.
- Press and hold the **ON/OFF button**  for 2 seconds to turn on the unit. On/off indicator flashes in BLUE when unit is ON.
- **ATTENTION!** The heating plates heat up very fast. It takes approx. 3 minutes to reach max. temperature.
- When the appliance is ready, you may start hair styling.
- To begin straightening hair, take a section no more than 2 to 3cm wide. Place the hair between the two flat plates as close as you can near the scalp.
- Hold the plates tight for a couple of seconds and slide the straightener in an even motion towards the end. For the best result, hold the hair while smoothing the section.
- **CAUTION!** DO not hold the hair between the plates for more than a couple of seconds as this may damage your hair.
- When you finished one section, move to another area of hair and repeat the process. Allow the hair to cool before combing through.
- After using, turn OFF the unit, make sure the power indicator has gone off.
- **CAUTION!** Allow to cool before putting on the travel cap.
- **IMPORTANT!** The straightener may provide different results depending on the hair type. Therefore, we recommend to do a trial on a hidden area of your hair before first use.
- This hair straightener is not recommended for use on damaged or bleached hair.

KEYLOCK

- When unit is in OFF state, double click the **ON/OFF button** .
- Charging indicator flashes RED for 3 times, the unit is now entered the KEY LOCK state.
- User cannot turn on the unit when it is in KEY LOCK state.
- To unlock the unit, double click the **ON/OFF button**  again. The **ON/OFF button**  flashes in BLUE for 3 times, denoting that the lock is now released.

CLEANING AND MAINTENANCE

- **ATTENTION!** Turn off the appliance before cleaning
- **ATTENTION!** Do not use any alcohol, acetone, gasoline, abrasive cleaning agents, etc. to clean the plastic components. Do not use hard brushes or metal objects for cleaning.
- **Risk of burning!** Do not attempt to clean the appliance while it is still hot.
- Wipe the appliance with a dry cloth.
- Never submerge the appliance in water or let water run over the heating plates or the appliance.
- The heating plates can be cleaned with a slightly damp cloth and a little detergent if necessary. Dry thoroughly after cleaning.

STORAGE

- Store the appliance in a cool, dry location, away from children and pets.
- If the appliance is not used for an extended period, store it preferably in its original packaging.

4 | Page

3 | Page

5 | Page