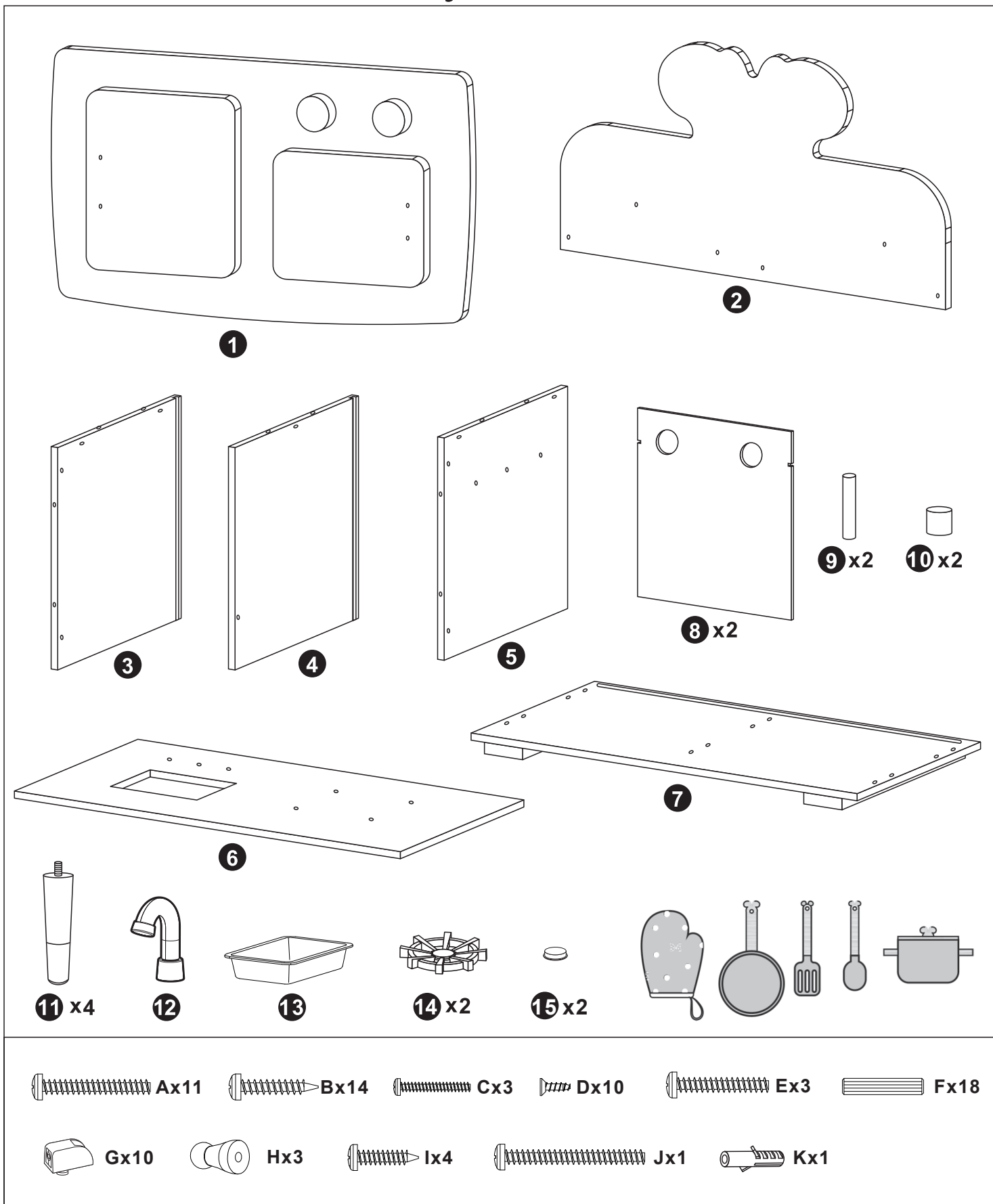


# Assembly Instructions



## ⚠ CAUTION:

ADULT ASSEMBLY IS REQUIRED. HARDWARE CONTAINS SCREWS WITH SHARP POINTS. KEEP UNASSEMBLED PARTS OUT OF THE REACH OF SMALL CHILDREN. ADULT SUPERVISION IS RECOMMENDED.

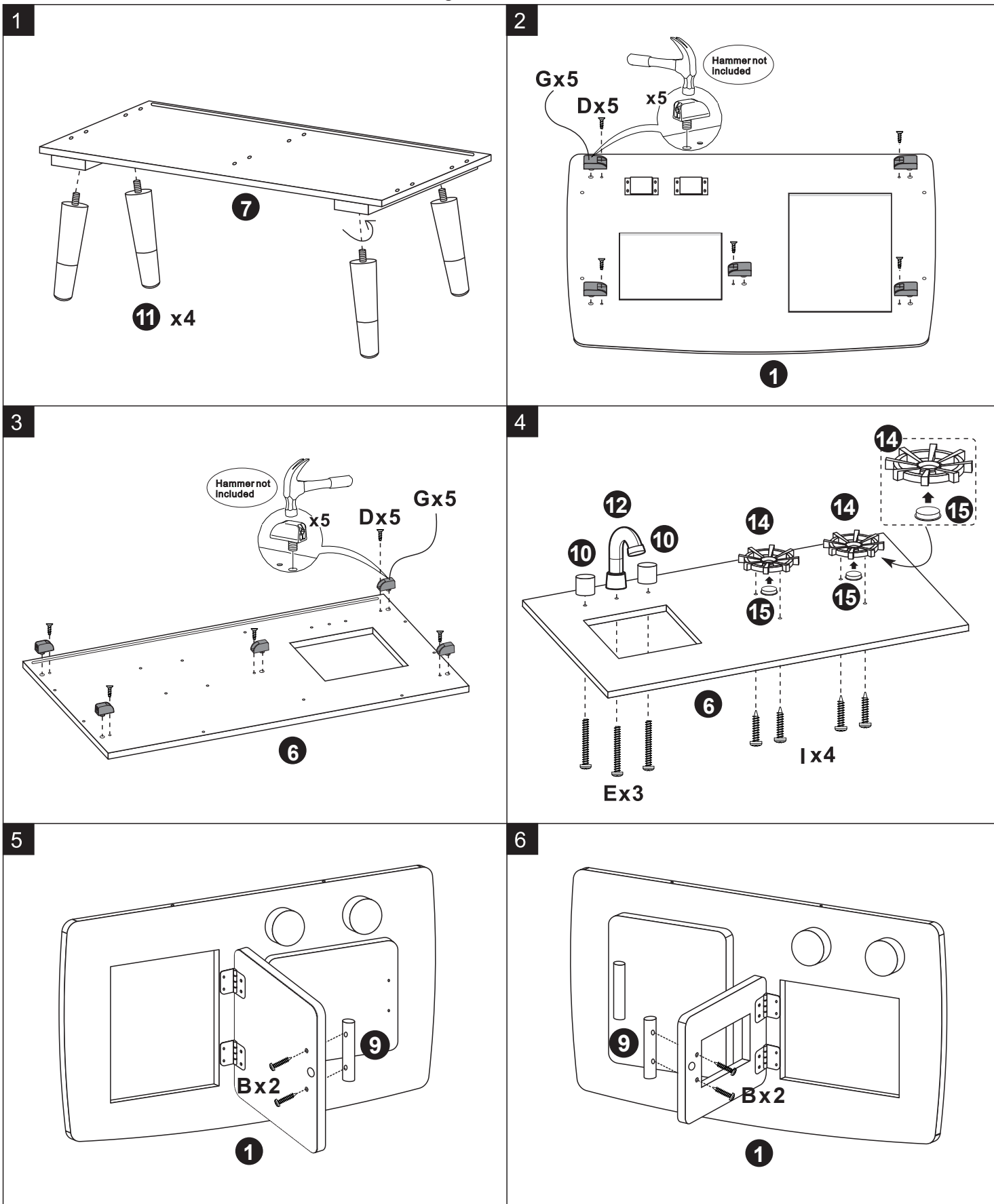
**⚠ WARNING:** THIS TOY CONTAINS MAGNET OR MAGNET COMPONENTS. MAGNETS STICKING TOGETHER OR BECOMING ATTACHED TO A METALLIC OBJECT INSIDE THE HUMAN BODY CAN CAUSE SERIOUS OR FATAL INJURY. SEEK IMMEDIATE MEDICAL HELP IF MAGNETS ARE SWALLOWED OR INHALED.

**WARNING:** THIS IS A TOY, INTENDED FOR ROLE PLAY ONLY.

**⚠ WARNING**  
**CHOKING HAZARD-SMALL PARTS.**  
**NOT SUITABLE FOR CHILDREN UNDER 3 YEARS.**

- It is strongly recommended that this product is permanently fixed to the wall.
  - Please seek professional advice if you are in doubt of what fixing device to use.
  - Regularly check that anchors are securely maintained
  - Use safety drawer locks to prevent children climbing
  - Stability of tall items may be affected by thick pile carpet or uneven floors
  - Do not place unanchored televisions on furniture
- Caution: for your safety when attaching the anchor fixings, please note the following:
- Check any electrical wires or plumbing inside the wall before drilling any holes (if you are unsure please seek professional advice from a qualified tradesperson)

# Assembly Instructions



## ⚠ CAUTION:

ADULT ASSEMBLY IS REQUIRED. HARDWARE CONTAINS SCREWS WITH SHARP POINTS. KEEP UNASSEMBLED PARTS OUT OF THE REACH OF SMALL CHILDREN. ADULT SUPERVISION IS RECOMMENDED.

**⚠ WARNING:** THIS TOY CONTAINS MAGNET OR MAGNET COMPONENTS. MAGNETS STICKING TOGETHER OR BECOMING ATTACHED TO A METALLIC OBJECT INSIDE THE HUMAN BODY CAN CAUSE SERIOUS OR FATAL INJURY. SEEK IMMEDIATE MEDICAL HELP IF MAGNETS ARE SWALLOWED OR INHALED.

**WARNING:** THIS IS A TOY, INTENDED FOR ROLE PLAY ONLY.

## ⚠ WARNING

**CHOKING HAZARD-SMALL PARTS.  
NOT SUITABLE FOR CHILDREN UNDER 3 YEARS.**

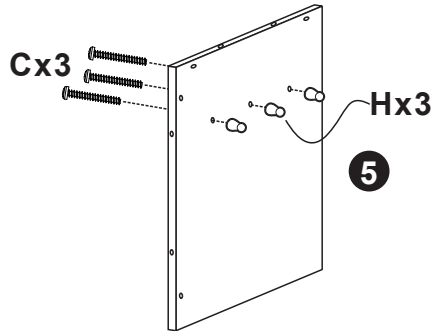
- It is strongly recommended that this product is permanently fixed to the wall.
- Please seek professional advice if you are in doubt of what fixing device to use.
- Regularly check that anchors are securely maintained
- Use safety drawer locks to prevent children climbing
- Stability of tall items may be affected by thick pile carpet or uneven floors
- Do not place unanchored televisions on furniture

Caution: for your safety when attaching the anchor fixings, please note the following:

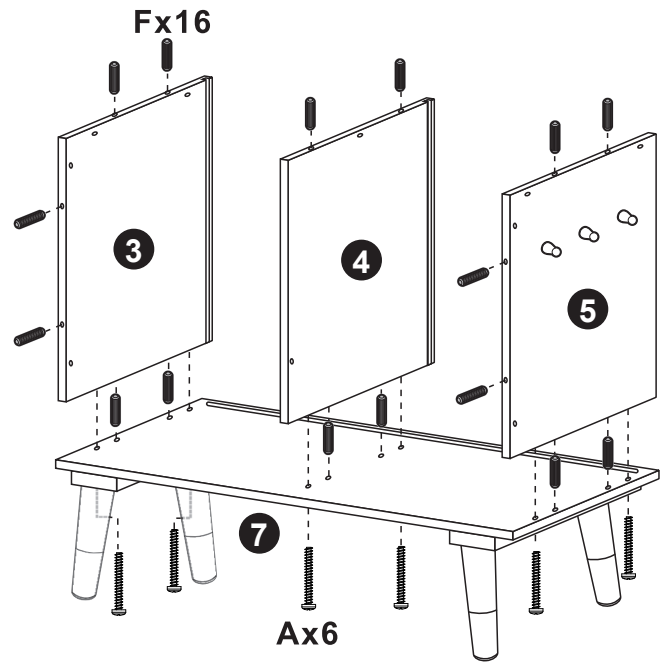
- Check any electrical wires or plumbing inside the wall before drilling any holes (if you are unsure please seek professional advice from a qualified tradesperson)

# Assembly Instructions

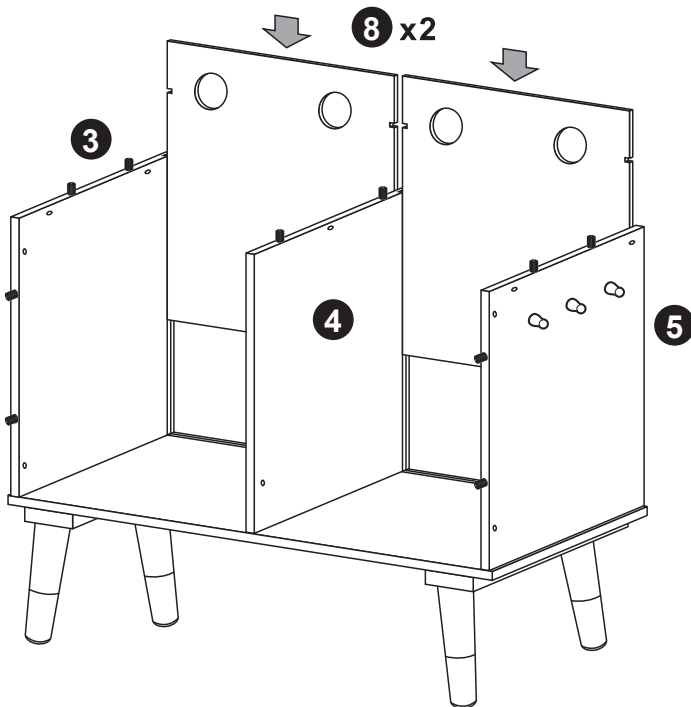
7



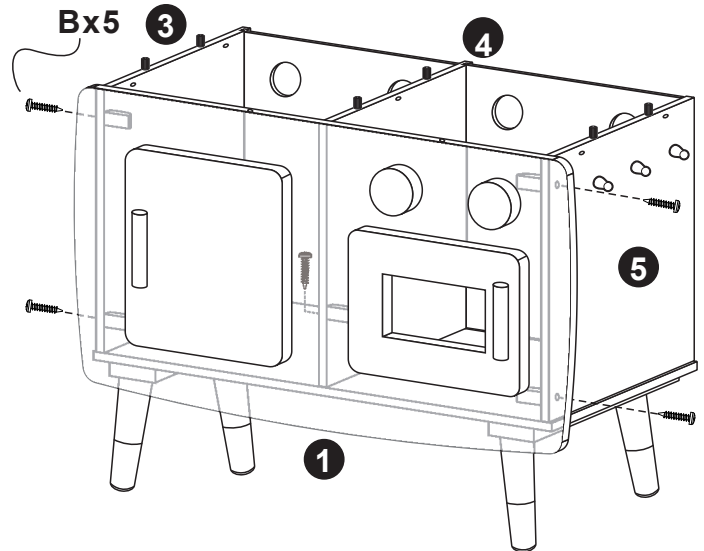
8



10



11



## ⚠ CAUTION:

ADULT ASSEMBLY IS REQUIRED. HARDWARE CONTAINS SCREWS WITH SHARP POINTS. KEEP UNASSEMBLED PARTS OUT OF THE REACH OF SMALL CHILDREN. ADULT SUPERVISION IS RECOMMENDED.

⚠ WARNING: THIS TOY CONTAINS MAGNET OR MAGNET COMPONENTS. MAGNETS STICKING TOGETHER OR BECOMING ATTACHED TO A METALLIC OBJECT INSIDE THE HUMAN BODY CAN CAUSE SERIOUS OR FATAL INJURY. SEEK IMMEDIATE MEDICAL HELP IF MAGNETS ARE SWALLOWED OR INHALED.

WARNING: THIS IS A TOY, INTENDED FOR ROLE PLAY ONLY.

## ⚠ WARNING CHOKING HAZARD-SMALL PARTS. NOT SUITABLE FOR CHILDREN UNDER 3 YEARS.

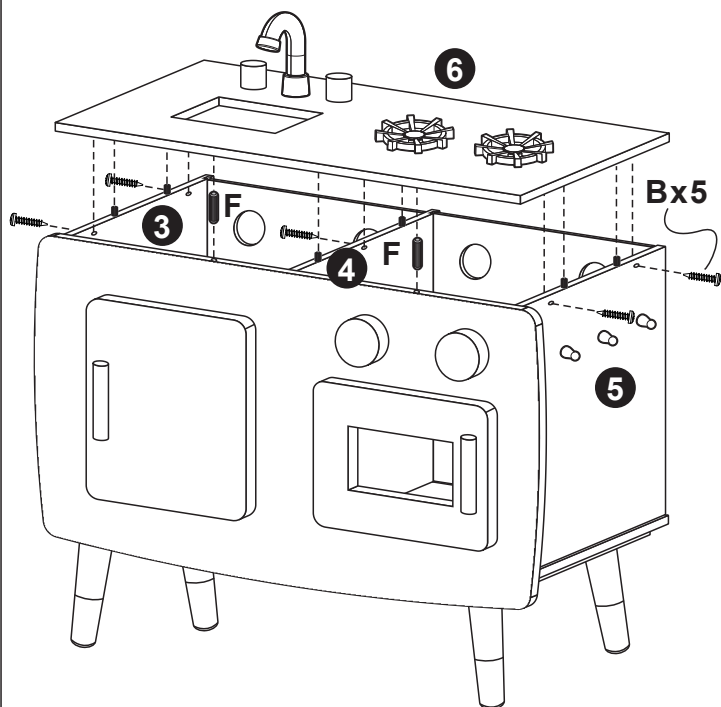
- It is strongly recommended that this product is permanently fixed to the wall.
- Please seek professional advice if you are in doubt of what fixing device to use.
- Regularly check that anchors are securely maintained
- Use safety drawer locks to prevent children climbing
- Stability of tall items may be affected by thick pile carpet or uneven floors
- Do not place unanchored televisions on furniture

Caution: for your safety when attaching the anchor fixings, please note the following:

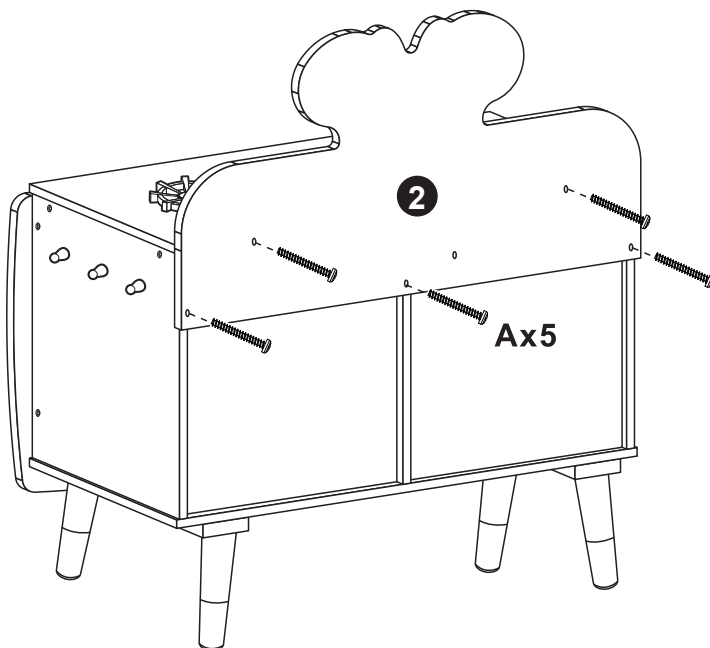
- Check any electrical wires or plumbing inside the wall before drilling any holes (if you are unsure please seek professional advice from a qualified tradesperson)

# Assembly Instructions

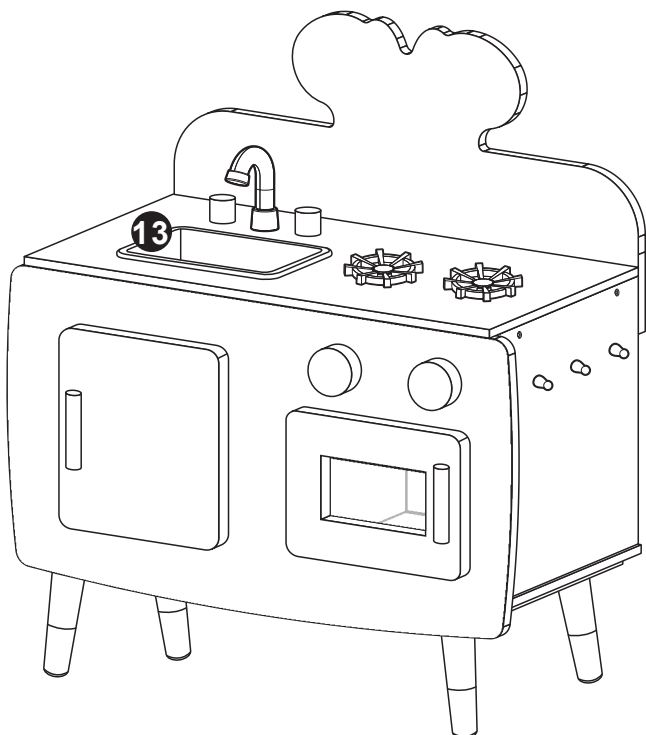
12



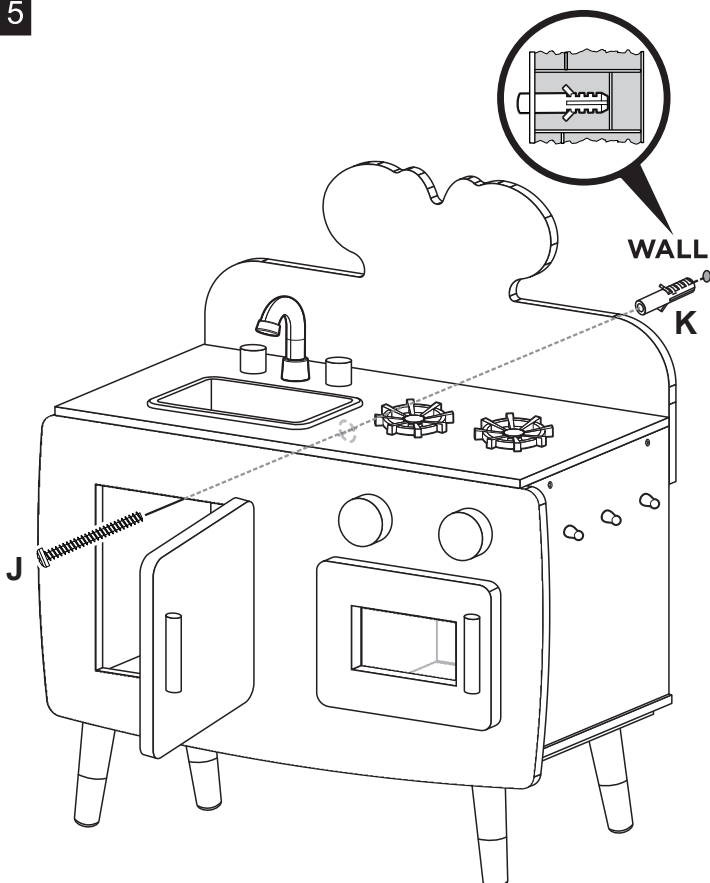
13



14



15



## CAUTION:

ADULT ASSEMBLY IS REQUIRED. HARDWARE CONTAINS SCREWS WITH SHARP POINTS. KEEP UNASSEMBLED PARTS OUT OF THE REACH OF SMALL CHILDREN. ADULT SUPERVISION IS RECOMMENDED.

**WARNING:** THIS TOY CONTAINS MAGNET OR MAGNET COMPONENTS. MAGNETS STICKING TOGETHER OR BECOMING ATTACHED TO A METALLIC OBJECT INSIDE THE HUMAN BODY CAN CAUSE SERIOUS OR FATAL INJURY. SEEK IMMEDIATE MEDICAL HELP IF MAGNETS ARE SWALLOWED OR INHALED.

**WARNING:** THIS IS A TOY, INTENDED FOR ROLE PLAY ONLY.

## WARNING

CHOKING HAZARD-SMALL PARTS.  
NOT SUITABLE FOR CHILDREN UNDER 3 YEARS.

- It is strongly recommended that this product is permanently fixed to the wall.
  - Please seek professional advice if you are in doubt of what fixing device to use.
  - Regularly check that anchors are securely maintained
  - Use safety drawer locks to prevent children climbing
  - Stability of tall items may be affected by thick pile carpet or uneven floors
  - Do not place unanchored televisions on furniture
- Caution: for your safety when attaching the anchor fixings, please note the following:
- Check any electrical wires or plumbing inside the wall before drilling any holes (if you are unsure please seek professional advice from a qualified tradesperson)