

Assembly Instructions

43158911 GARMENT RACK WITH 2 RAILS

ATTENTION:




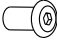

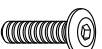



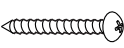


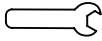
DO NOT TIGHTEN THE SCREWS UNTIL IT HAS BEEN FULLY ASSEMBLED.

FOR INDOOR USE ONLY.

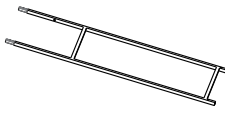
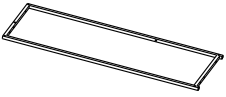





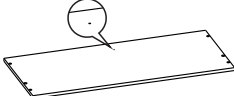
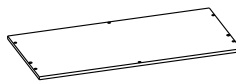

MAXIMUM LOADING WEIGHT: 10KG FOR EACH CLOTHES RAIL, 5KG FOR EACH SHELF.

Hardware List

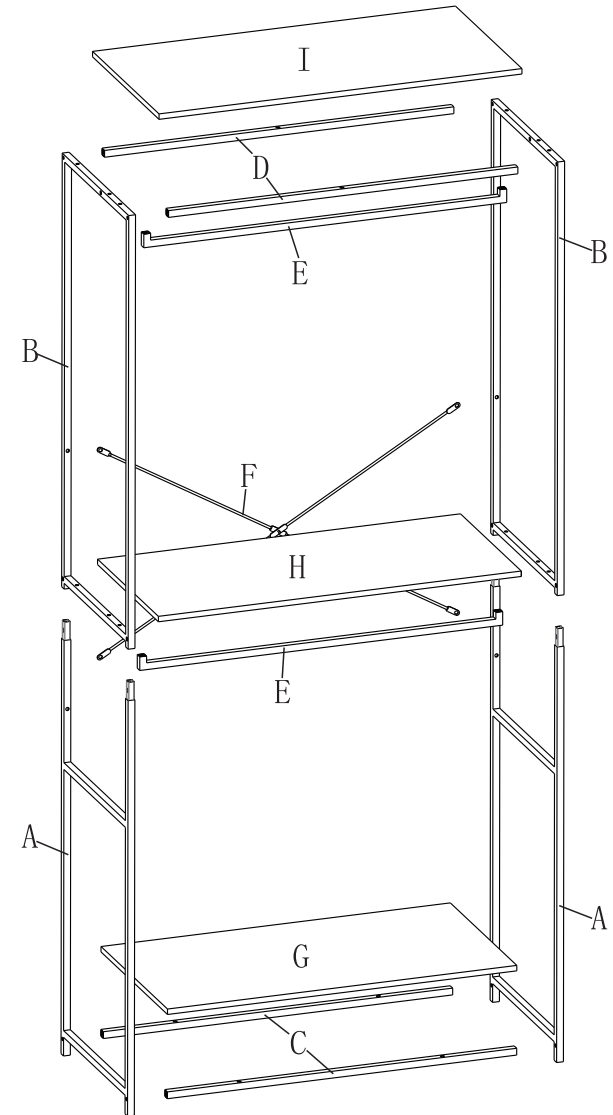
1

	a	M6	4pcs		b	M6	4pcs
	c	M6x25	4pcs		d	M6x13	4pcs
	e	M6x9	4pcs		f	M6x22	28pcs
	g	M6	4pcs		h	6x25	1pc
	i	st4. 2x10	1pc		j	st4x40	1pc
	k	76x32	1pc		l		2pcs
	m		1pc				

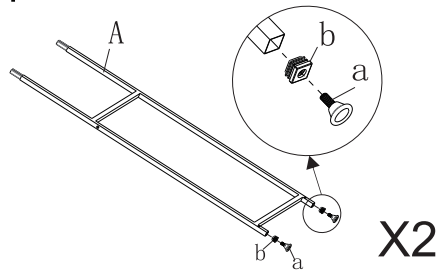
2

			
A 2pcs	B 2pcs	C 2pcs	D 2pcs
			
E 2pcs	F 1pc	G 1pc	H 1pc
			
I 1pc	J 1pc		

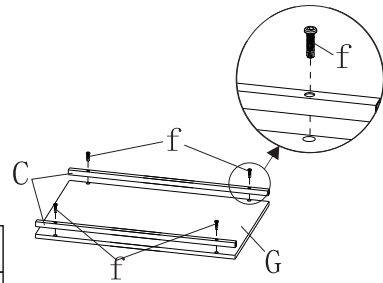
3




Step 1



X2

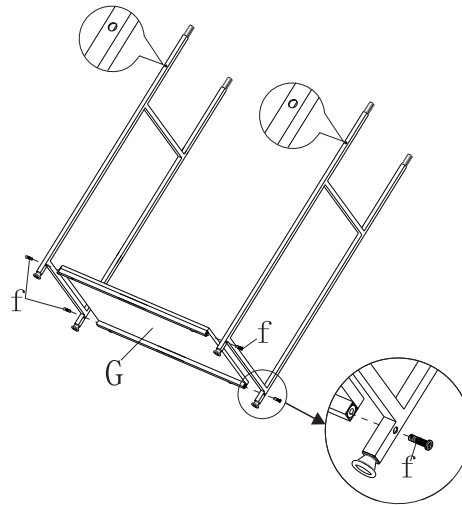


 a x 4

 b x 4

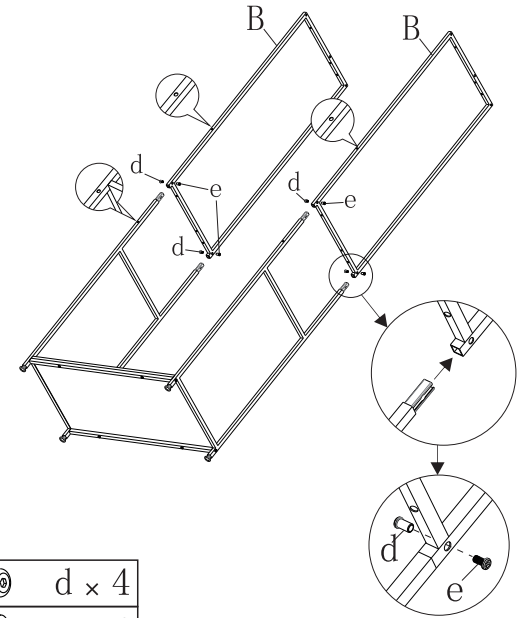
 f x 4

Step 2



 f x 4

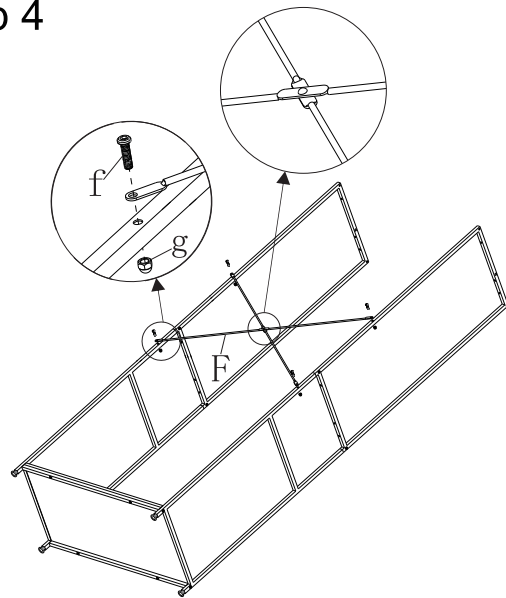
Step 3

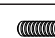



 d x 4

 e x 4

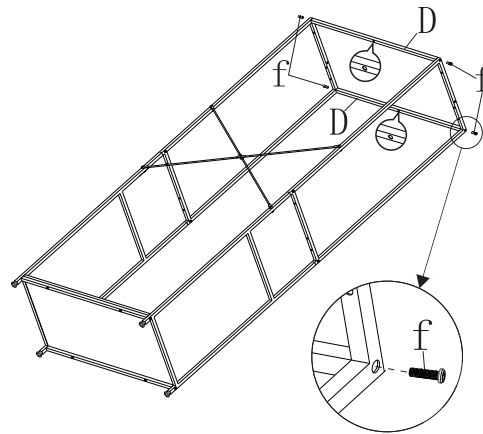
Step 4

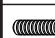


 f x 4

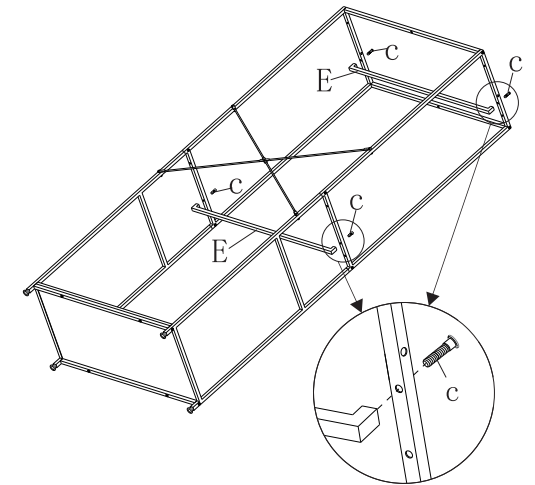
 g x 4


Step 5



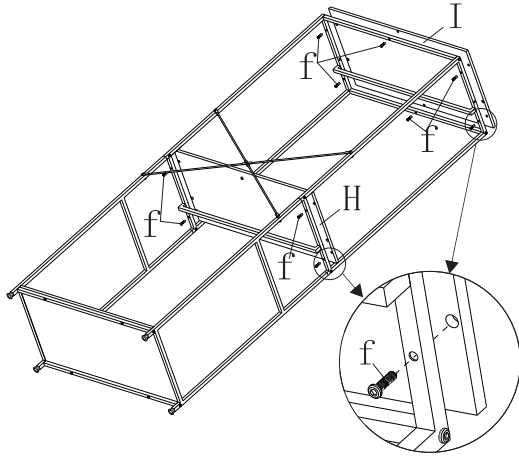
 f x 4

Step 6



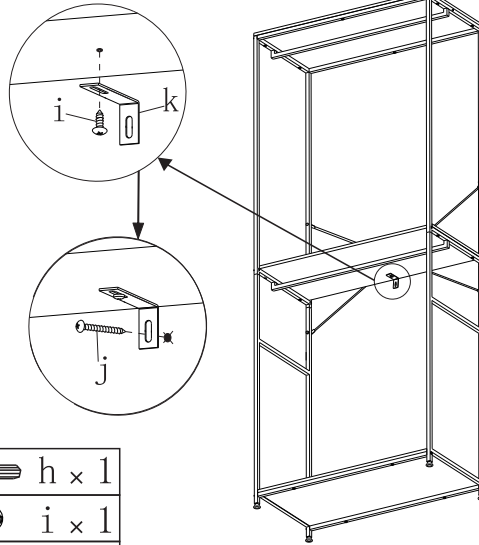
 c x 4



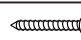

Step 7

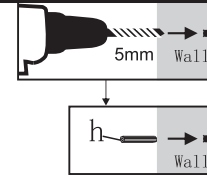


 f × 10

Step 8



 h × 1
 i × 1
 j × 1
 k × 1



WARNINGS:

- It is strongly recommended that this product is permanently fixed to the wall.
- Please seek professional advice if you are in doubt of what fixing device to use.
- Regularly check that anchors are securely maintained.
- Stability of tall items may be affected by thick pile carpet or uneven floors .
- Do not place unanchored televisions on furniture .

CAUTION: for your safety when attaching the anchor fixings, please note the following:

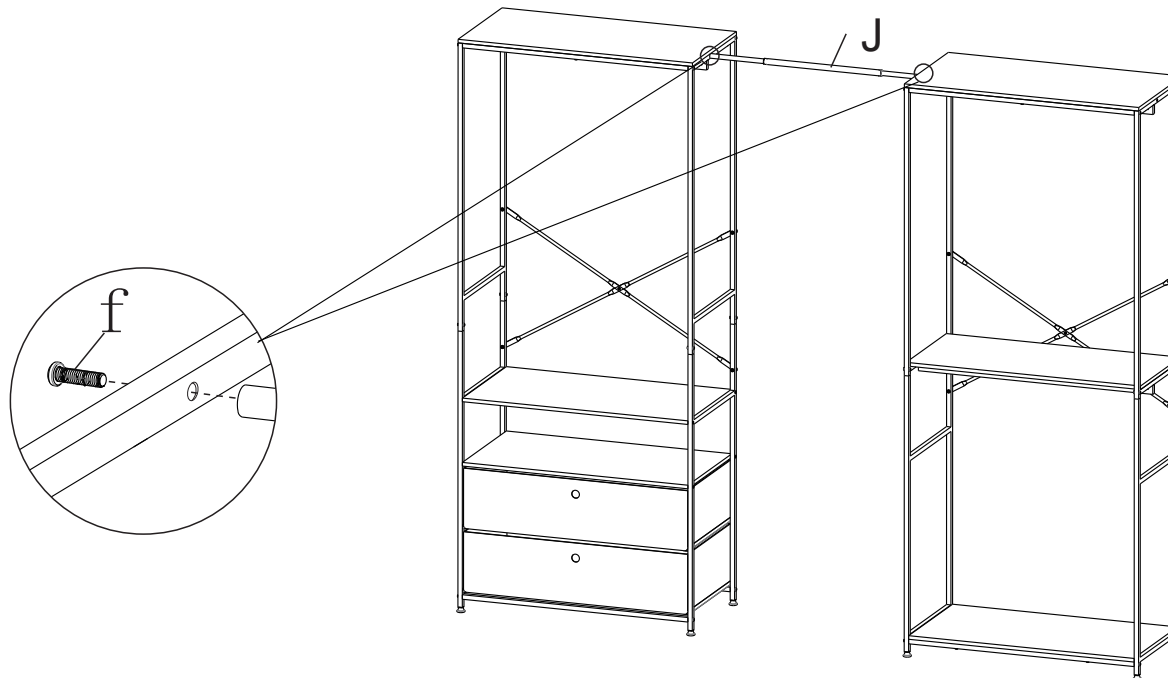
- Check any electrical wires or plumbing inside the wall before drilling any holes (if you are unsure please seek professional advice from a qualified tradesperson).



WARNING: PLEASE SECURE YOUR FURNITURE WITH THE SUPPLIED WALL FIXING. SCAN THE CODE FOR MORE INFORMATION.



Step 9



 f × 2

Shown with Garment Rack with 2 Drawers(sold separately) + Extension Clothes Rail