

anko

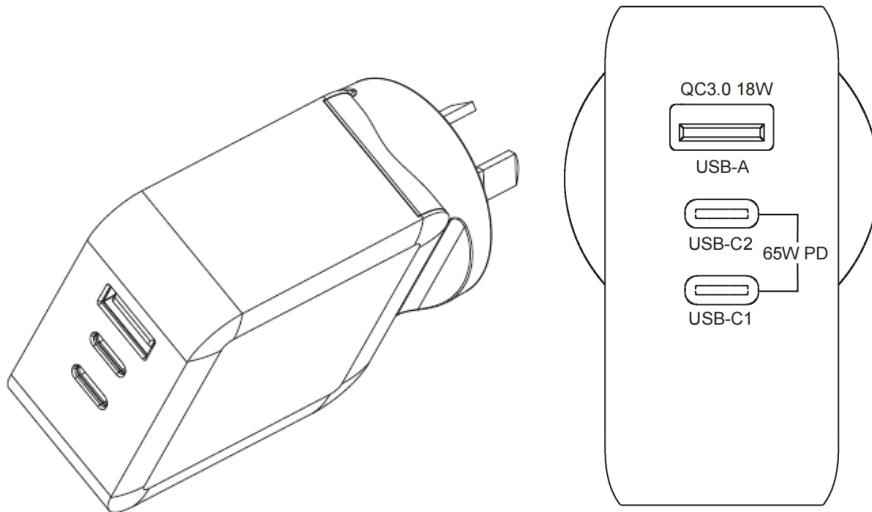
65W Laptop USB-C PD Wall Charger

User Manual

43155781

Features

Support USB-C Power Delivery 3.0 (65W max) and Quick Charge 3.0 (18W max) fast charging devices (Laptops, iPad, iPhone, iPod, Samsung and other Android smart phones, tablets, speakers, cameras etc.).

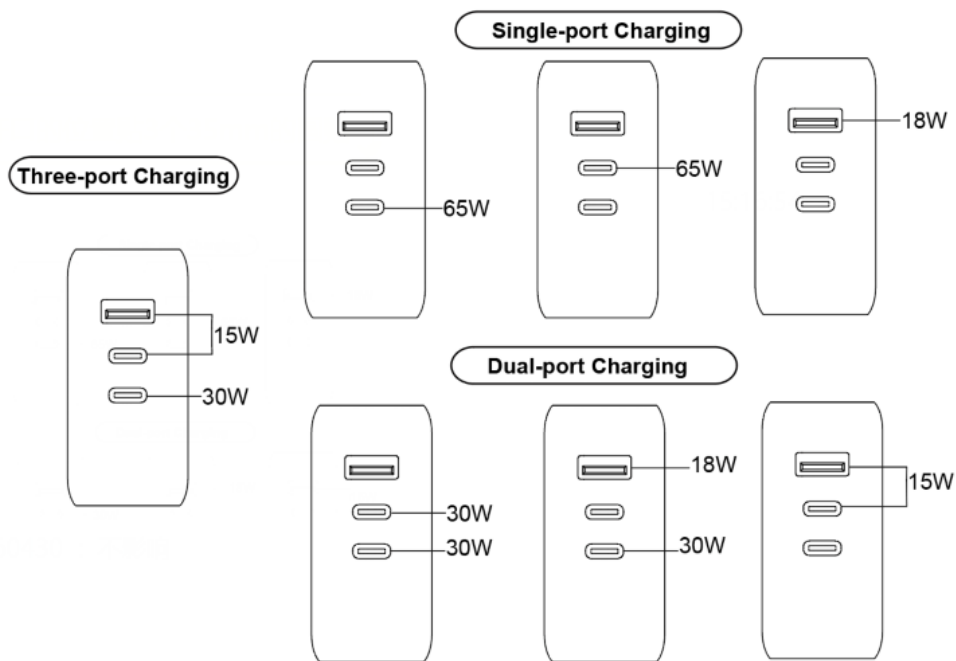


Safety Notes

1. Do not disassemble or throw into fire or water, to avoid damage.
2. Do not use charger in severely hot, humid or corrosive environments, to avoid circuit damage and occur leakage phenomenon.
3. To take care of the children, to ensure that they won't play the charger as a toy
4. In emergency cases, unplug the charger when smoke from the unit, changed shape, liquid or material leakage.
5. Do not use charger when it is damaged or broken parts.
6. This charger is intended for indoor use only.

Instruction:

1. Plug & Go: Just connect and start. Voltage and power will automatically configured by USB-C PD/ QC 3.0 charging port.
2. For efficient and optimize charging, the PD/QC 3.0 function must be supported by the connected device while qualified rapid charging cable is needed.
3. Charging three devices simultaneously in standard charge
*Note: Charging speed may affected if the USB cable not supporting PD or QC 3.0 fast charging function. Use a supported USB PowerDelivery cable to enjoy fast charging.



Specification:

Input: 100-240Va.c. 50/60Hz 1.5A Max

Output :

USB A: 5Vd.c. 3A / 9Vd.c. 2A / 12Vd.c. 1.5A

USB C1/C2: 5Vd.c. 3A / 9Vd.c. 3A / 12Vd.c. 3A / 15Vd.c. 3A / 20Vd.c. 3.25A

USB A+ USB C1: 18W+30W

USB A+ USB C2: 7.5W+7.5W

USB C1+ USB C2:30W+30W

USB A+USB C1+USB C2: 7.5W+30W+7.5W

12 Month Warranty

Thank you for your purchase from Kmart.

Kmart Australia Ltd warrants your new product to be free from defects in materials and workmanship for the period stated above, from the date of purchase, provided that the product is used in accordance with accompanying recommendations or instructions where provided. This warranty is in addition to your rights under the Australian Consumer Law.

Kmart will provide you with your choice of a refund, repair or exchange (where possible) for this product if it becomes defective within the warranty period. Kmart will bear the reasonable expense of claiming the warranty. This warranty will no longer apply where the defect is a result of alteration, accident, misuse, abuse or neglect.

Please retain your receipt as proof of purchase and contact our Customer Service Centre on 1800 124 125 (Australia) or 0800 945 995 (New Zealand) or alternatively, via Customer Help at Kmart.com.au for any difficulties with your product. Warranty claims and claims for expense incurred in returning this product can be addressed to our Customer Service Centre at 690 Springvale Rd, Mulgrave Vic 3170.

Our goods come with guarantees that cannot be excluded under the Australian Consumer Law. You are entitled to a replacement or refund for a major failure and compensation for any other reasonably foreseeable loss or damage. You are also entitled to have the goods repaired or replaced if the goods fail to be of acceptable quality and the failure does not amount to a major failure.

For New Zealand customers, this warranty is in addition to statutory rights observed under New Zealand legislation.