

Assembly Instructions






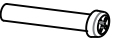



43152445 Over the Washer Unit

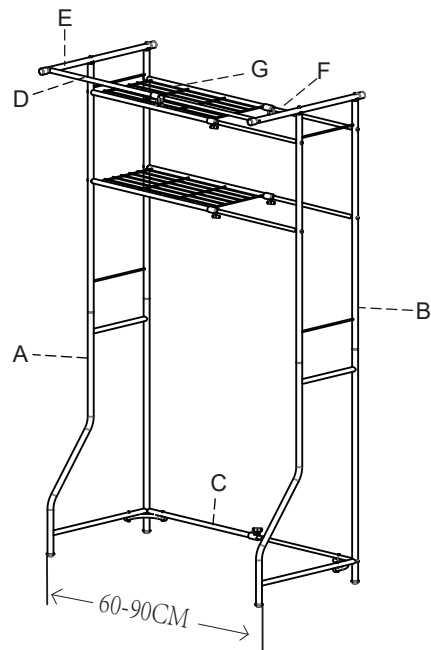
CARE INSTRUCTION: WIPE CLEAN WITH A SOFT DRY OR DAMP CLOTH. KEEP AWAY FROM WATER AND DIRECT SUNLIGHT. CHECK AND TIGHTEN ALL PARTS REGULARLY. FOR INDOOR AND DOMESTIC USE.

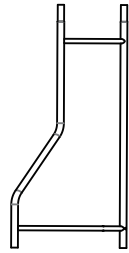
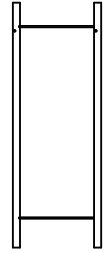
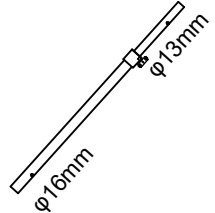
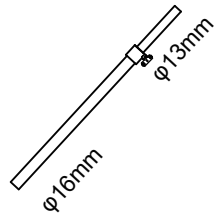

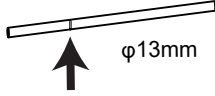
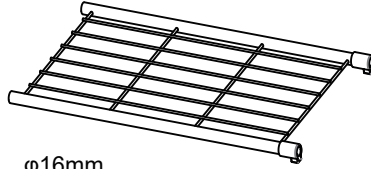
WARNING: DO NOT LEAN ON THE PRODUCT. DO NOT DRAG THE PRODUCT. USE ONLY ON A FLAT SURFACE. DO NOT USE UNTIL ALL SCREWS, BOLTS AND KNOBS ARE FIRMLY SECURED. THIS PRODUCT CONTAINS SMALL PARTS AND SHARP POINTS, KEEP AWAY FROM CHILDREN AND BABIES. ADULT ASSEMBLY REQUIRED. FAILURE TO FOLLOW THESE WARNINGS COULD RESULT IN SERIOUS INJURY.

MAXIMUM SAFE LOAD: 6KGS FOR EACH SHELF, 3KGS FOR HANGING BAR, 15KGS IN TOTAL.

Hardware list

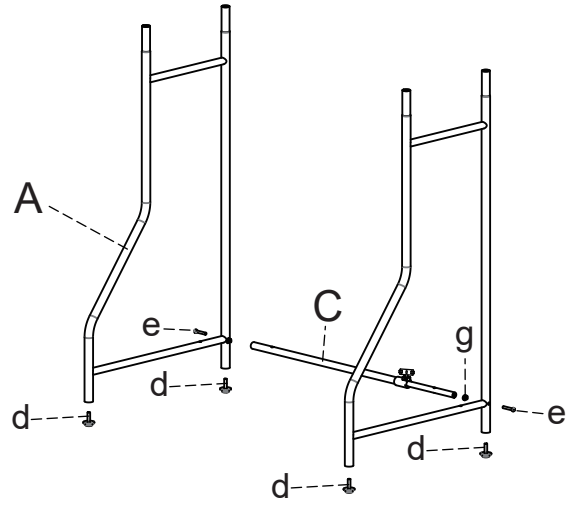
	a		2PCS		f		4PCS
	b	φ19mm	4PCS		g	φ13mm	6PCS
	c	φ16mm	5PCS		h		4PCS
	d		4PCS	 Tool required Philips Head Screw Driver (Not Provided)			
	e		16PCS				

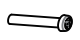




	A	2 PCS		B	2 PCS		C	1 PC
	D	1 PC		E	2 PCS		F	4 PCS
 φ16mm								
G		2 PCS						

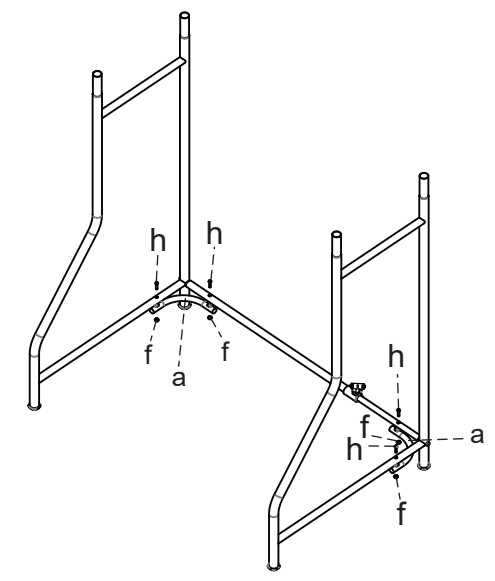
Pay attention to the limit line when stretching.




STEP 1



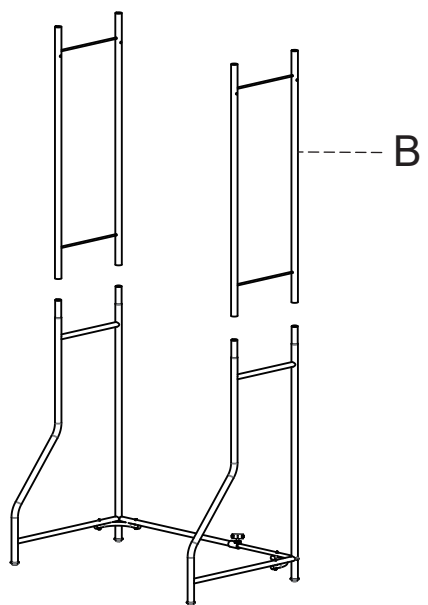
 e X 2  g X 1  d X 4

STEP 2

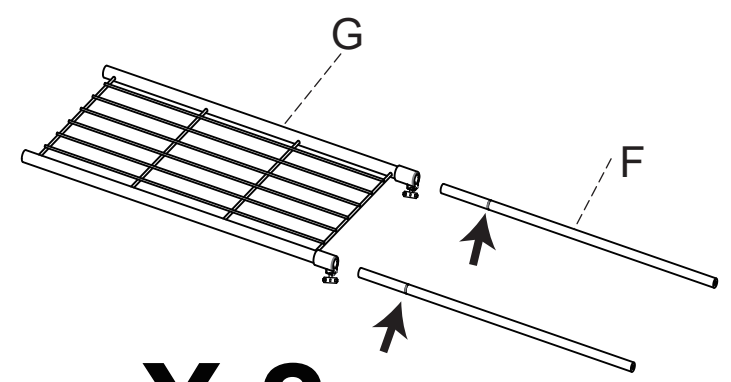


 a X 2  h X 4  f X 4

STEP 3

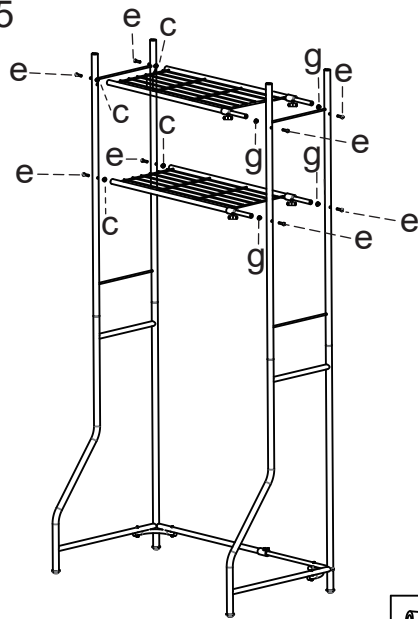


STEP 4



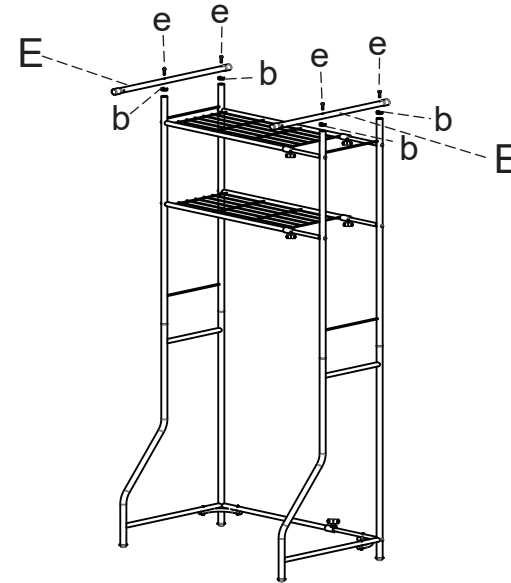
X 2 Pay attention to the limit line when stretching.

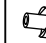
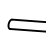
STEP 5



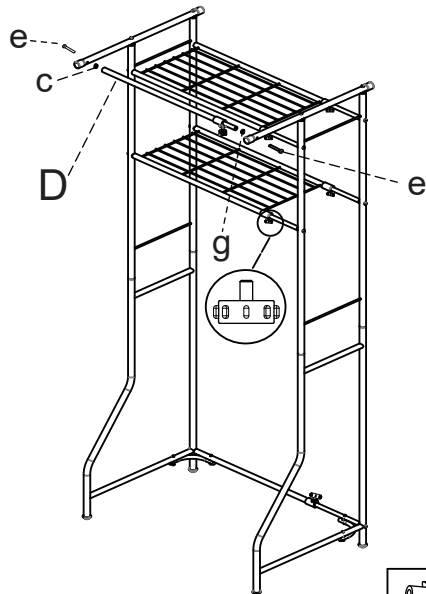
 c X 4  e X 8  g X 4

STEP 6



 b X 4  e X 4

STEP 7



 c X 1  e X 2  g X 1

STEP 8

