

Assembly Instructions

43151219 ISLA BUFFET UNIT

CARE INSTRUCTIONS:



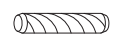










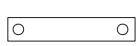


WIPE CLEAN WITH A DRY CLOTH. DO NOT USE ABRASIVE MATERIALS AND SOLVENTS. CHECK AND TIGHTEN ALL PARTS REGULARLY. DO NOT PLACE HOT ITEMS SUCH AS COFFEE CUPS DIRECTLY ON THE SURFACE. KEEP AWAY FROM WATER AND DIRECT SUNLIGHT. STORE IN A DRY PLACE. FOR DOMESTIC USE ONLY. FOR INDOOR USE ONLY. A MILD ODOUR MAY BE PRESENT WHEN FIRST OPENING THIS CARTON. SIMPLY ALLOW TO AIR OUTSIDE AND THIS WILL FADE.

WARNING:

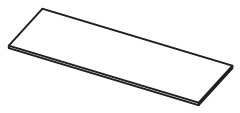




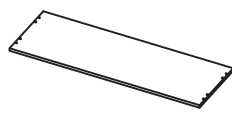
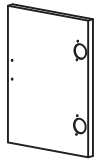



DO NOT STAND OR SIT ON THIS UNIT. DO NOT USE THIS UNIT UNLESS ALL BOLTS AND SCREWS ARE FIRMLY SECURED. DO NOT KNOCK OR DRAG THIS UNIT. USE ONLY ON A FLAT SURFACE. ADULT ASSEMBLY REQUIRED. FAILURE TO FOLLOW THESE WARNINGS COULD RESULT IN SERIOUS INJURY. LOAD DRAWER EVENLY TO PREVENT FROM TIPPING OVER. THIS PACKAGE CONTAINS SMALL PARTS AND SHARP POINTS. KEEP AWAY FROM CHILDREN AND BABIES.

MAXIMUM SAFE LOAD: TOP: 15KG; SHELF: 10KG/LAYER.

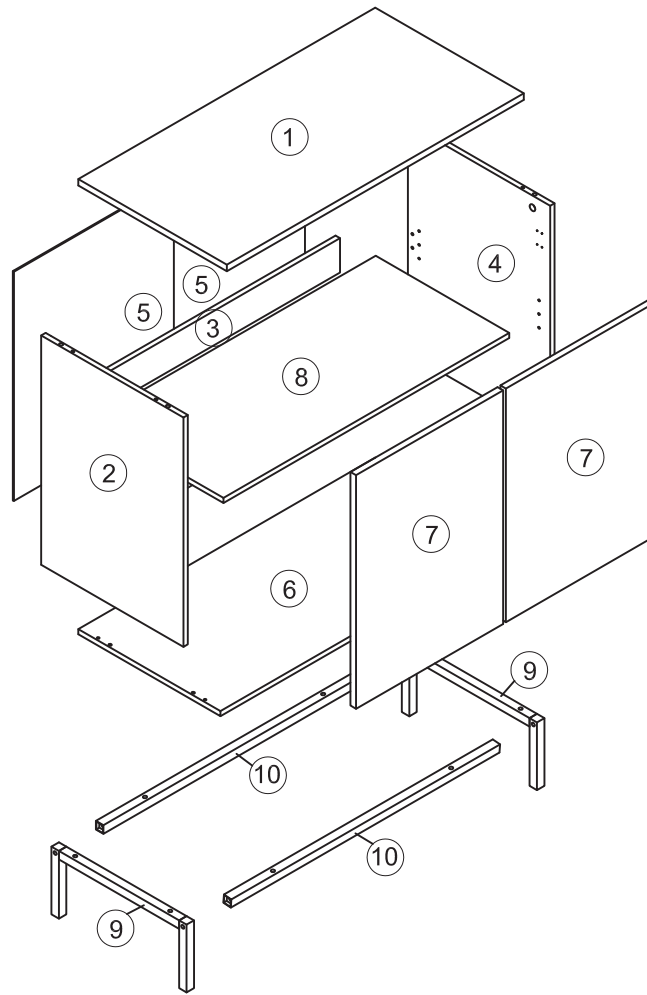
1 Hardware List



	A	M6x35mm	8pcs		B	Ø15x10mm	8pcs		C	Ø6x30mm	8pcs
	D	M3.5x12mm	24pcs		E	M4x35mm	6pcs		F	M6x28mm	8pcs
	G	M6x40mm	4pcs		H		2pcs		I		4pcs
	J	M4x12mm	6pcs		K	Ø2x16mm	20pcs		L		4pcs
	M	Ø6x30mm	2pcs		N		2pcs		O	40*15	2pcs
	P	M4mm	1pc								

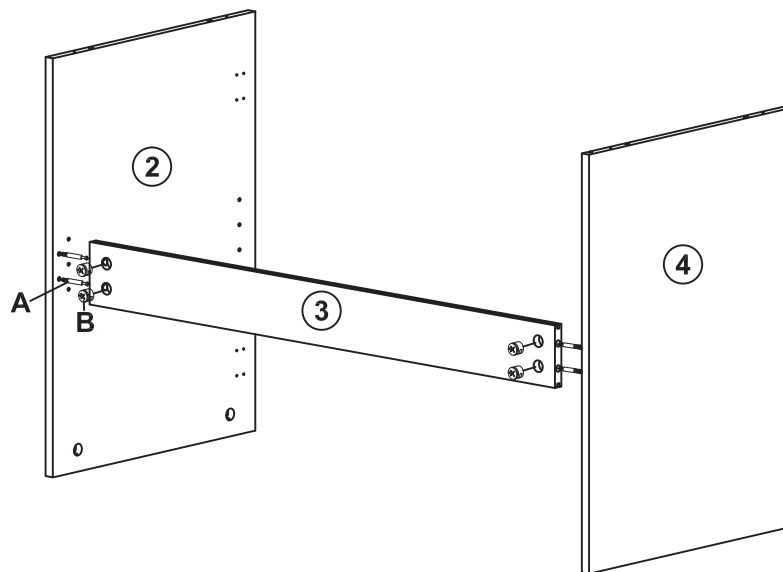
2 Parts List



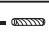
	①	1pc		②	1pc		③	1pc		④	1pc
	⑤	2pcs		⑥	1pc		⑦	2pcs		⑧	1pc
	⑨	2pcs		⑩	2pcs						

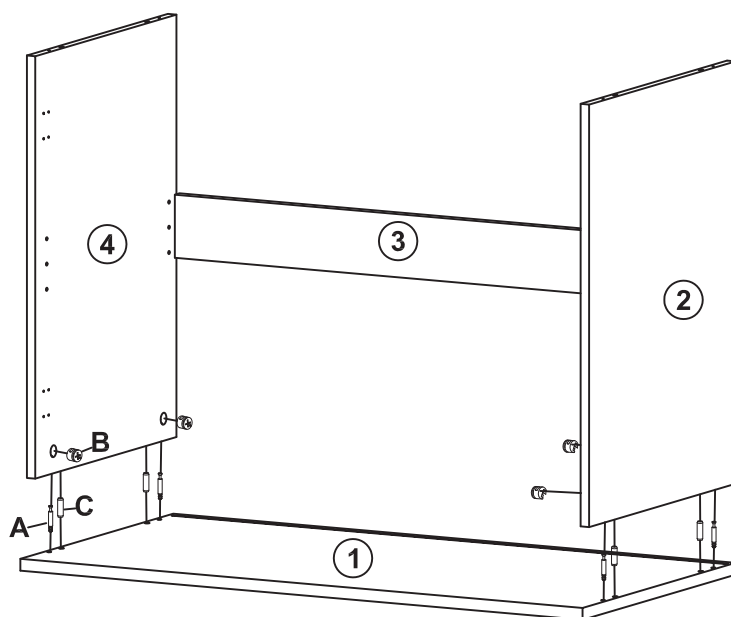
3


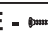


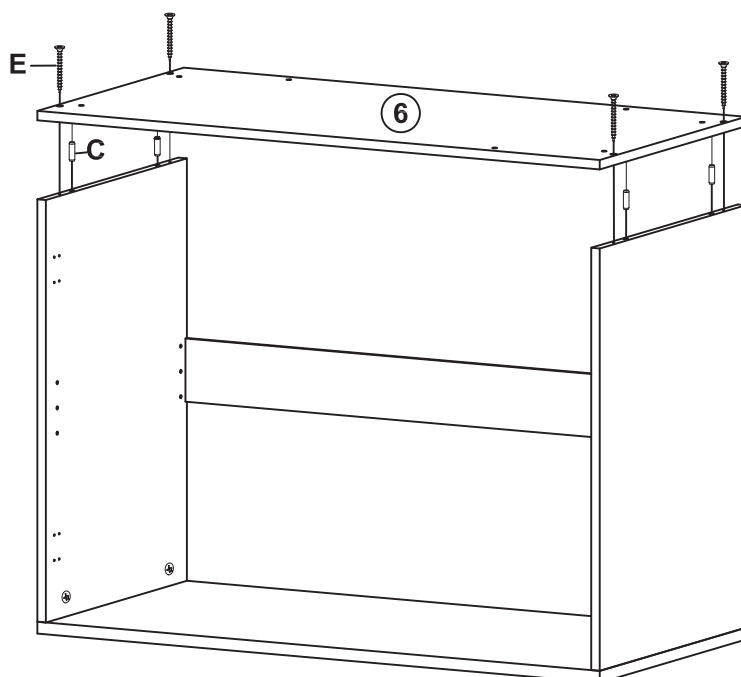
STEP 1 A -  x 4 B -  x 4




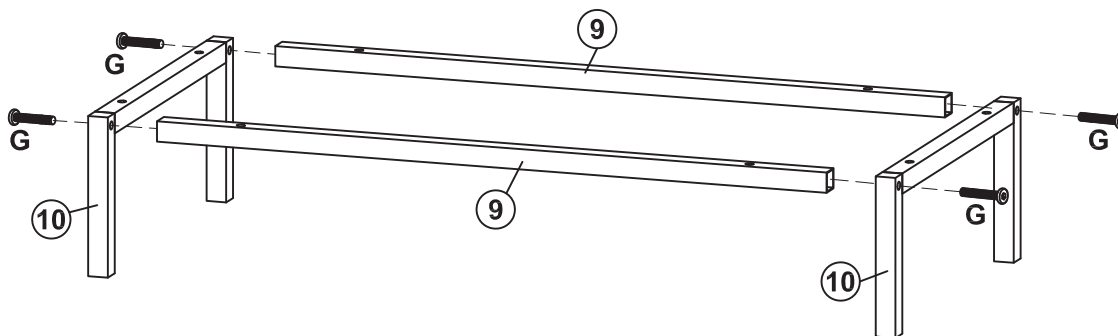
STEP 2 A -  x 4 B -  x 4 C -  x 4



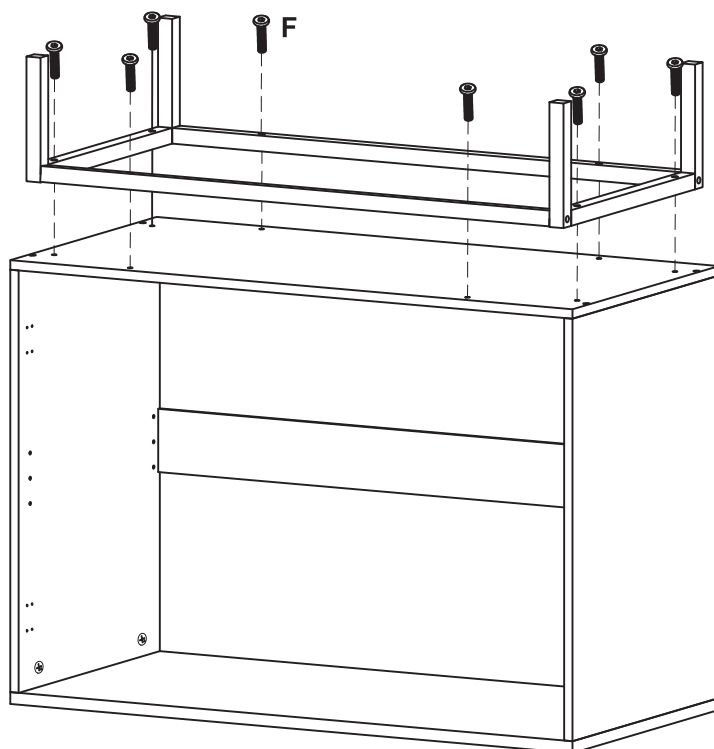
STEP 3 C -  x 4 E -  x 4



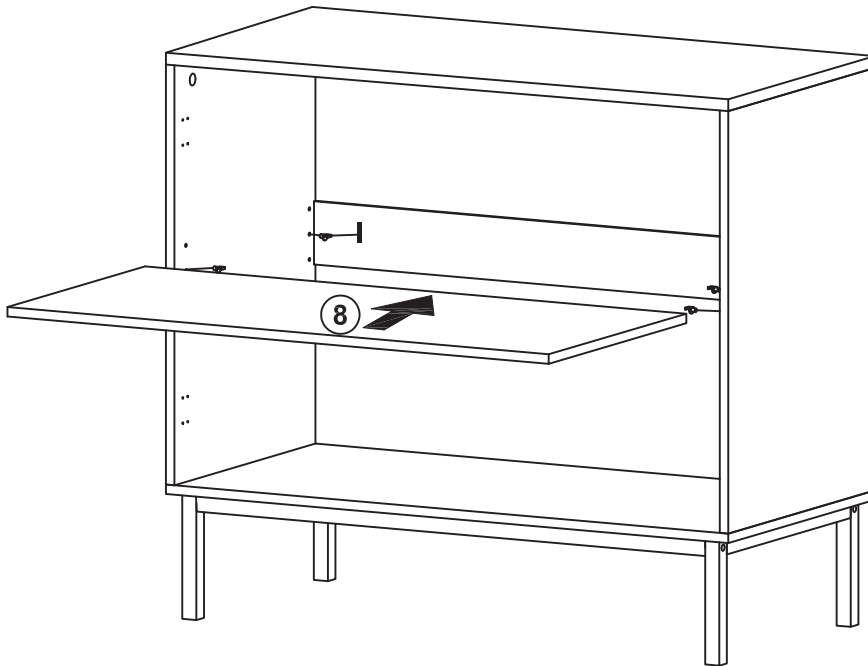
STEP 4 G -  x 4 P -  x 1








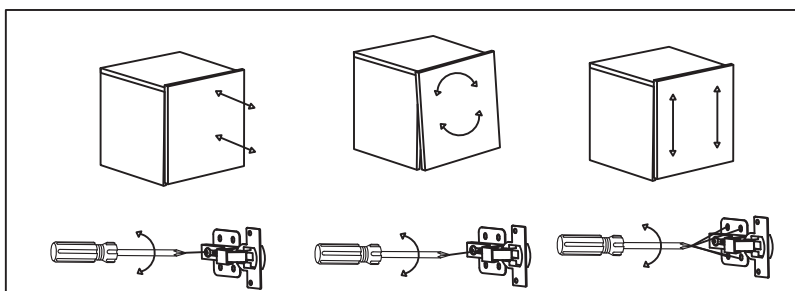
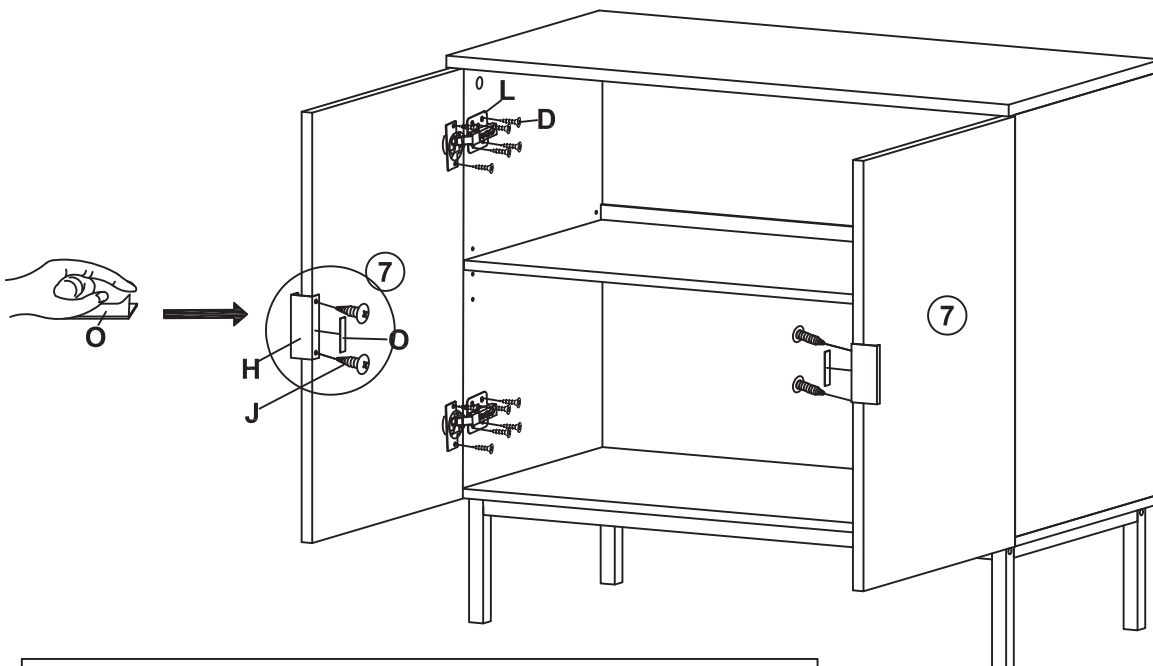
STEP 5 F -  x 8 P -  x 1



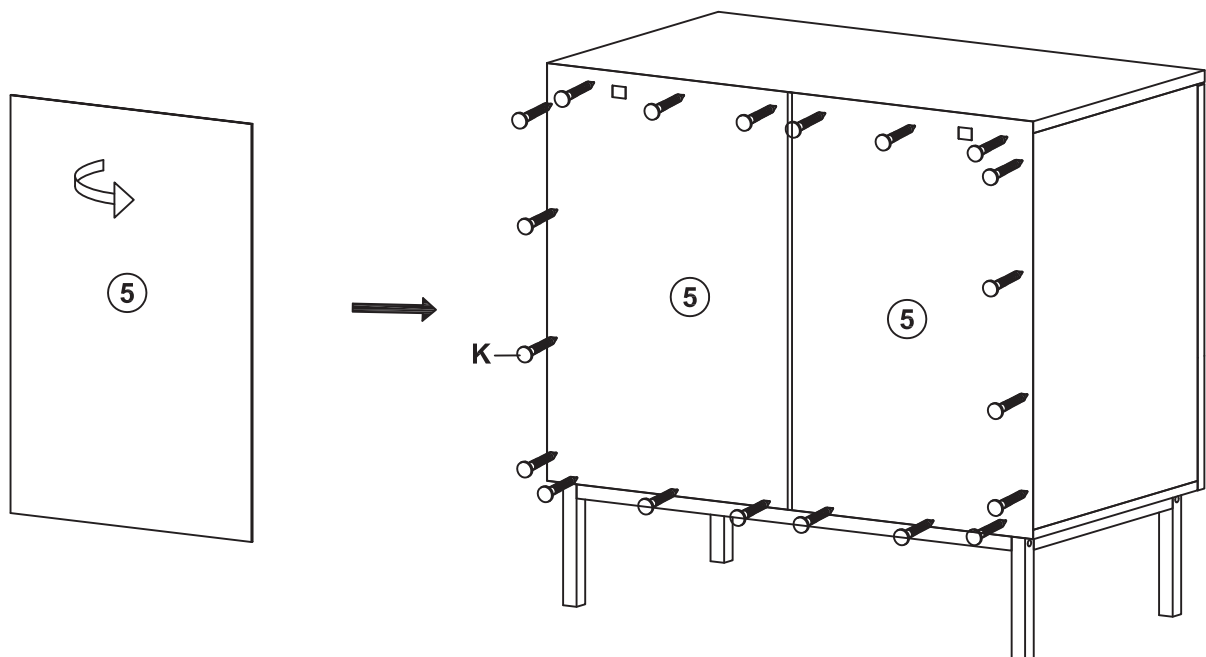
STEP 6 I-  x 4



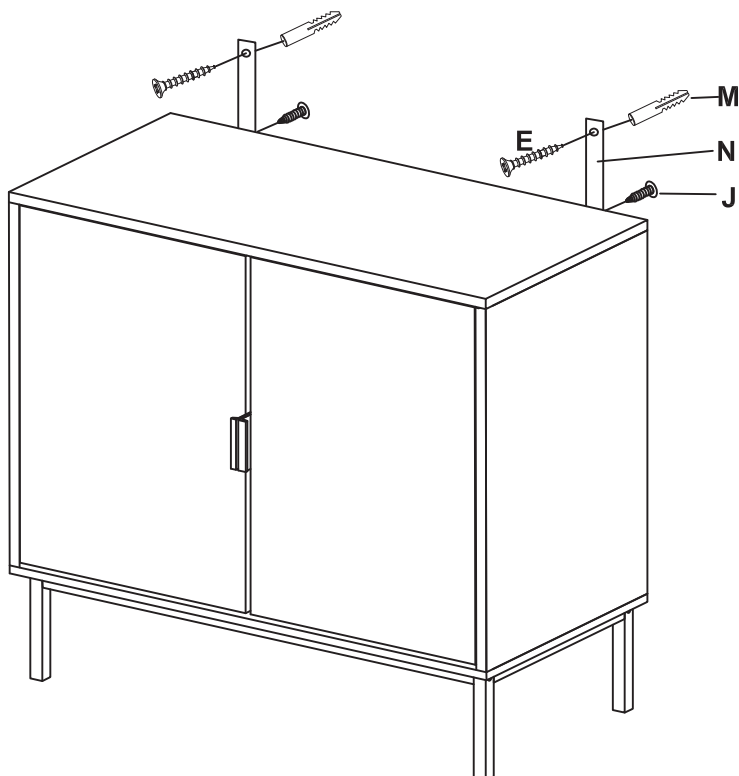
STEP 7 D-  x 24 H-  x 2 J-  x 4 L-  x 4 O-  x 2



STEP 8 **K -  x 20**



STEP 9 **E -  x 2 J -  x 2 M -  x 2 N -  x 2**



TOPPLING FURNITURE WARNING:

- **It is strongly recommended that this product is permanently fixed to the wall.**
- **Please seek professional advice if you are in doubt of what fixing device to use.**
- **Regularly check that anchors are securely maintained.**
- **Stability of tall items may be affected by thick pile carpet or uneven floors .**
- **Do not place unanchored televisions on furniture .**

CAUTION: for your safety when attaching the anchor fixings, please note the following:

- **Check any electrical wires or plumbing inside the wall before drilling any holes (if you are unsure please seek professional advice from a qualified tradesperson).**



WARNING: PLEASE SECURE YOUR FURNITURE WITH THE SUPPLIED WALL FIXING. SCAN THE CODE FOR MORE INFORMATION.

