

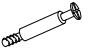




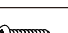
# Assembly Instructions






## 43150434 HAVEN ENT UNIT OO

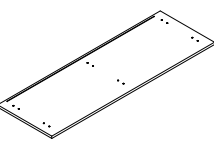
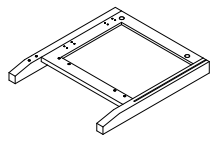
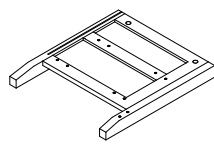
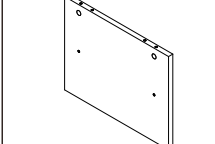
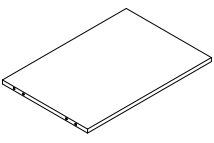
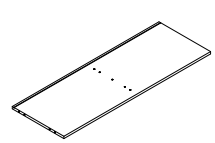
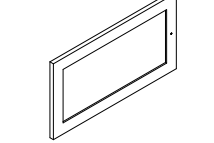
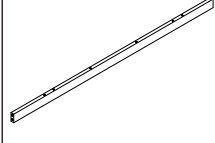
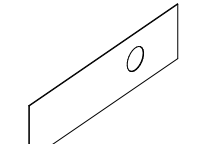
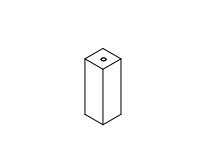
**CARE INSTRUCTIONS:** WIPE CLEAN WITH A SOFT CLOTH. NEVER USE SCOURERS, ABRASIVES OR CHEMICAL SOLVENTS. KEEP AWAY FROM MOISTURE AND DIRECT SUNLIGHT. STORE IN A DRY PLACE FOR INDOOR USE ONLY.

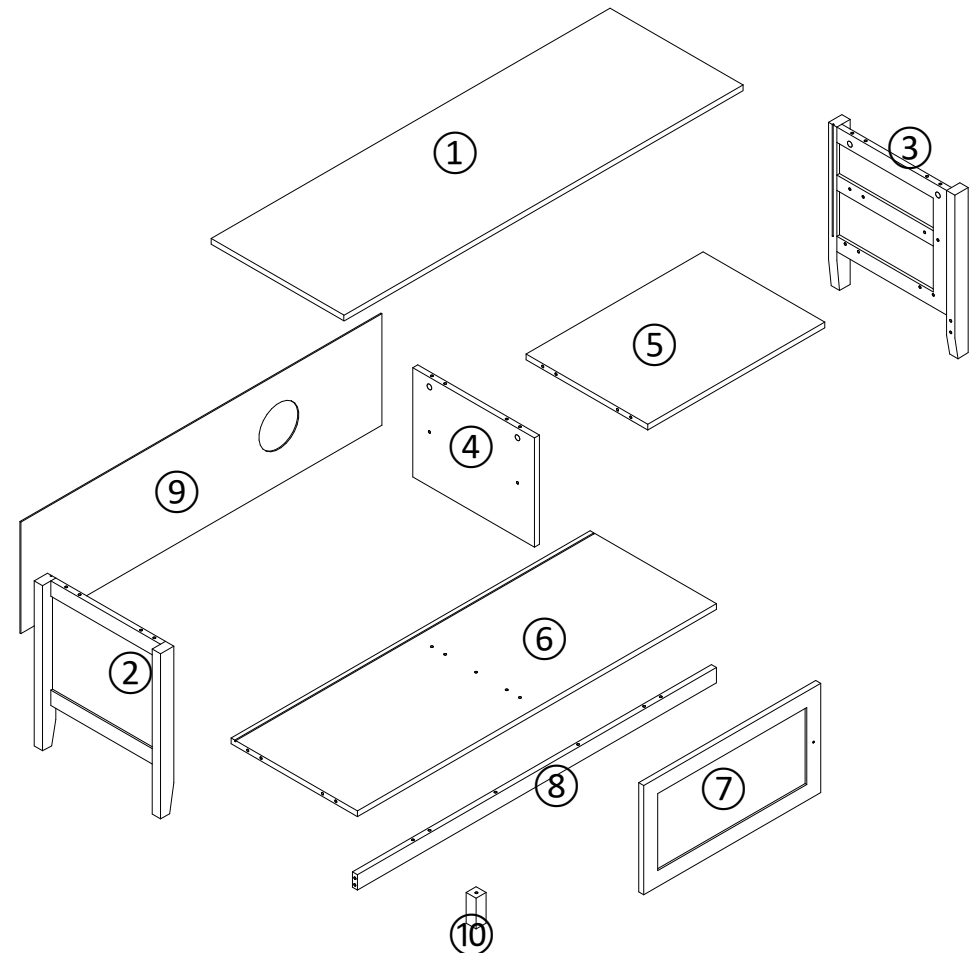
**WARNING:** DO NOT STAND, SIT OR LEAN ON THE UNIT. DO NOT USE THIS UNIT AS A STEP LADDER. ENSURE THIS UNIT IS USED ONLY ON A FLAT SURFACE. DO NOT USE THIS UNIT UNLESS ALL BOLTS AND SCREWS ARE FIRMLY SECURED. DO NOT PLACE HOT OBJECTS SUCH AS COFFEE CUPS DIRECTLY ON THE SURFACE OF THIS FURNITURE ITEM. THIS ITEM IS FOR STORAGE PURPOSE ONLY. CONTAINS SMALL PARTS. IT IS TO BE ASSEMBLED BY AN ADULT. FAILURE TO FOLLOW THESE WARNINGS COULD RESULT IN SERIOUS INJURY.

**MAXIMUM SAFE LOAD: TOP 25KGS,SHELF 5KGS/LAYER.**

	a	M6x35	14pcs
	b	M15x9	14pcs
	c	M4x12	12pcs
	d	M6x30	20pcs
	e	M4x40	9pcs
	f	M4x20	1pcs

	g		1pcs
	h		2pcs
	i	M3x14	4pcs
	j	M4x12	2pcs
	k	M4x35	2pcs

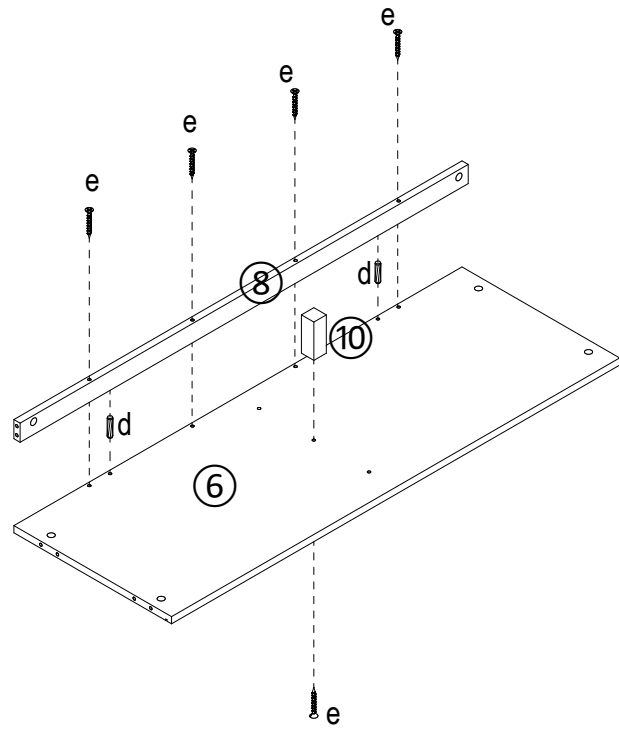
			
① 1pc	② 1pc	③ 1pc	④ 1pc
			
⑤ 1pc	⑥ 1pc	⑦ 1pc	⑧ 1pc
			
⑨ 1pc	⑩ 1pc		



Do not tighten the screws  
Fully tighten screws after the final assembly steps

### step 1

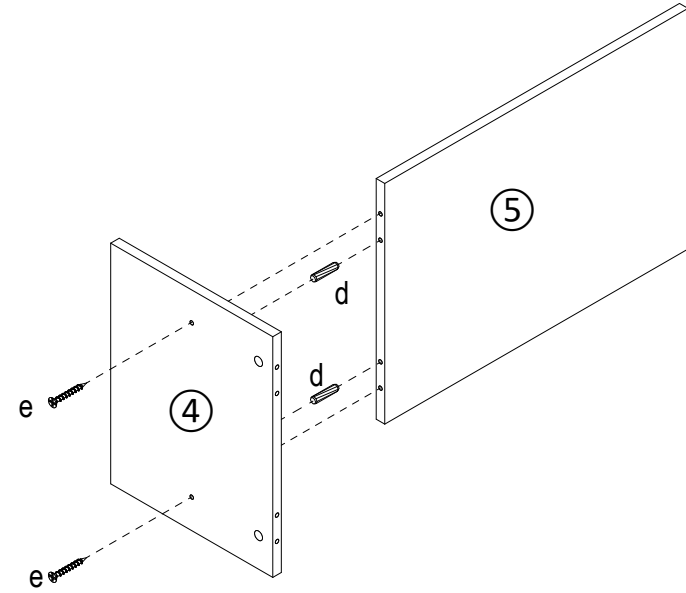
- d x2
- e x5



- c x4
- f x1
- f x1
- h x2

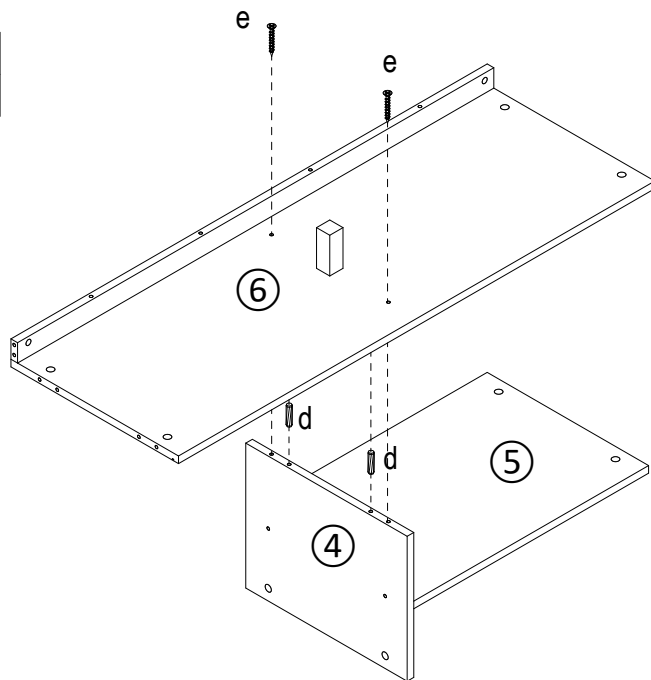
### step 2

- d x2
- e x2



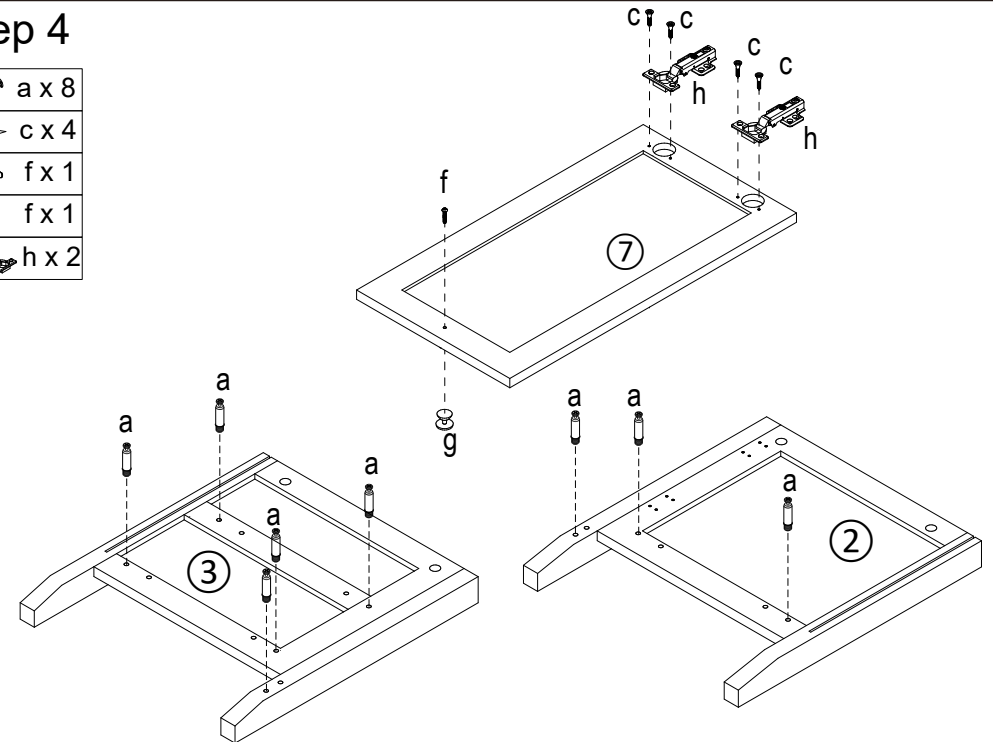
### step 3

- d x2
- e x2





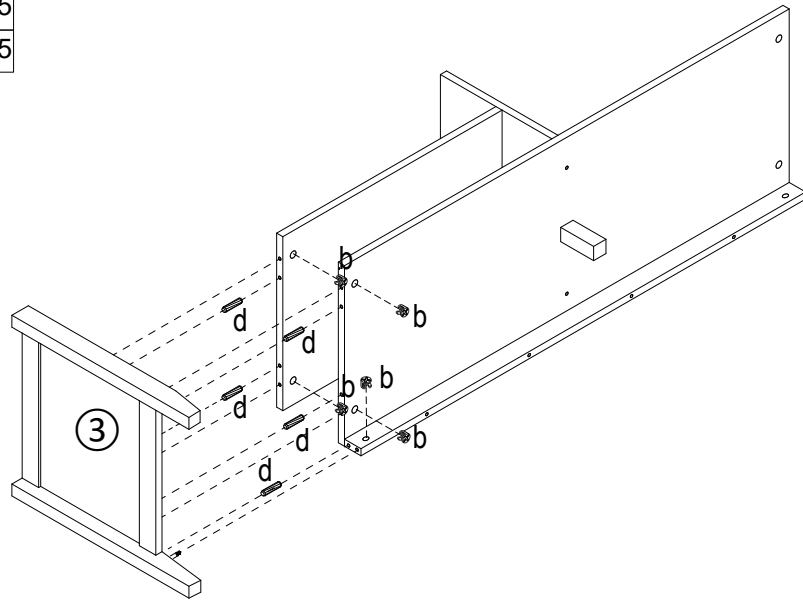
### step 4

- a x8
- c x4
- f x1
- f x1
- h x2





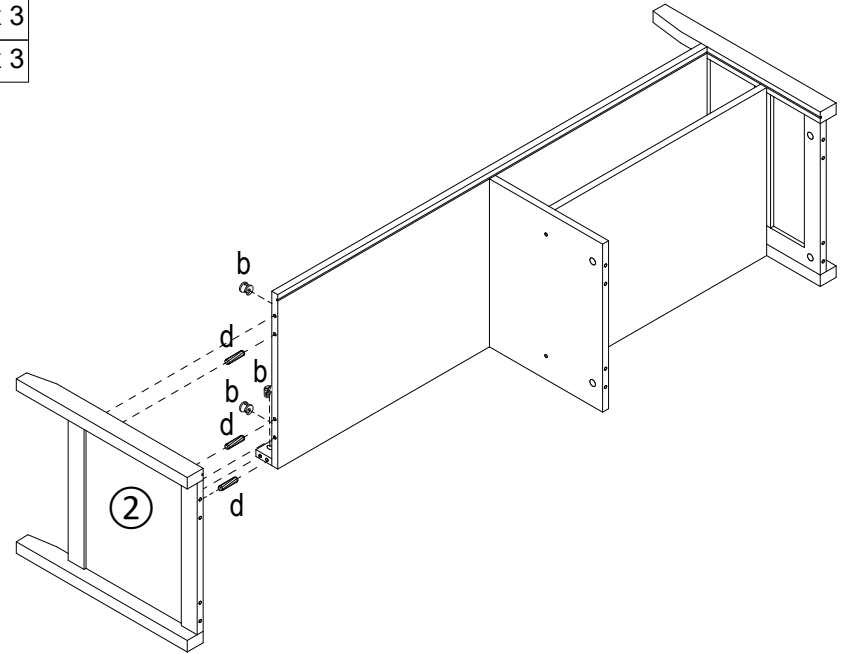
### step 5

-  b x 5
-  d x 5




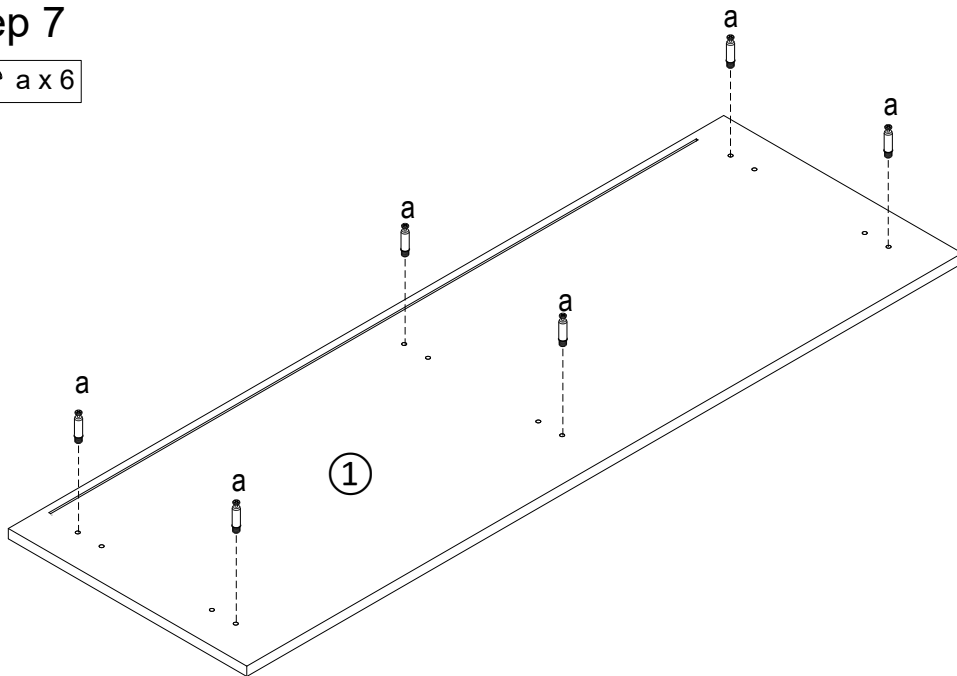
### step 6

-  b x 3
-  d x 3

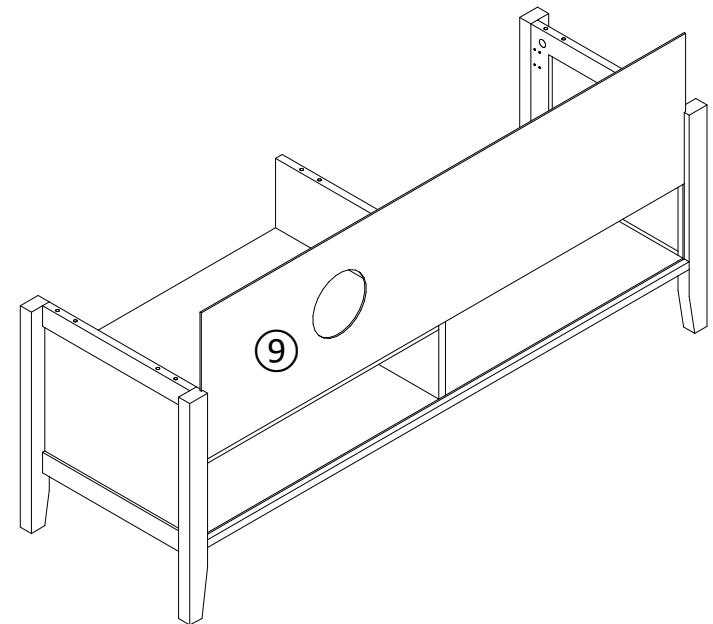


### step 7

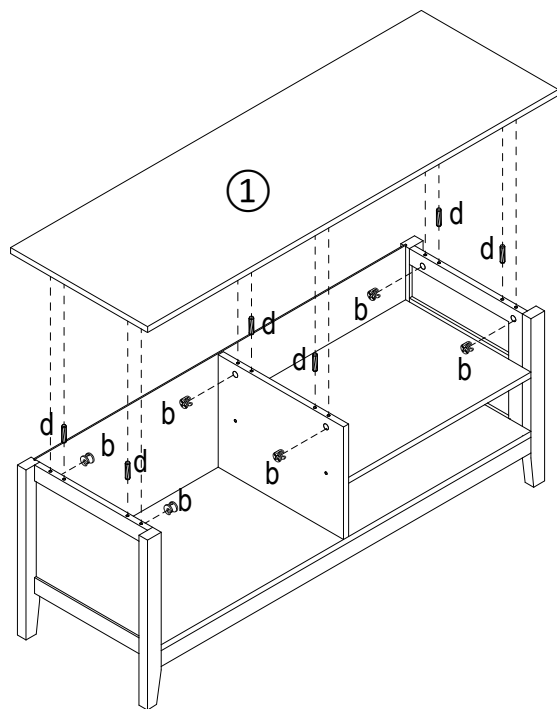
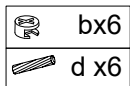
-  a x 6



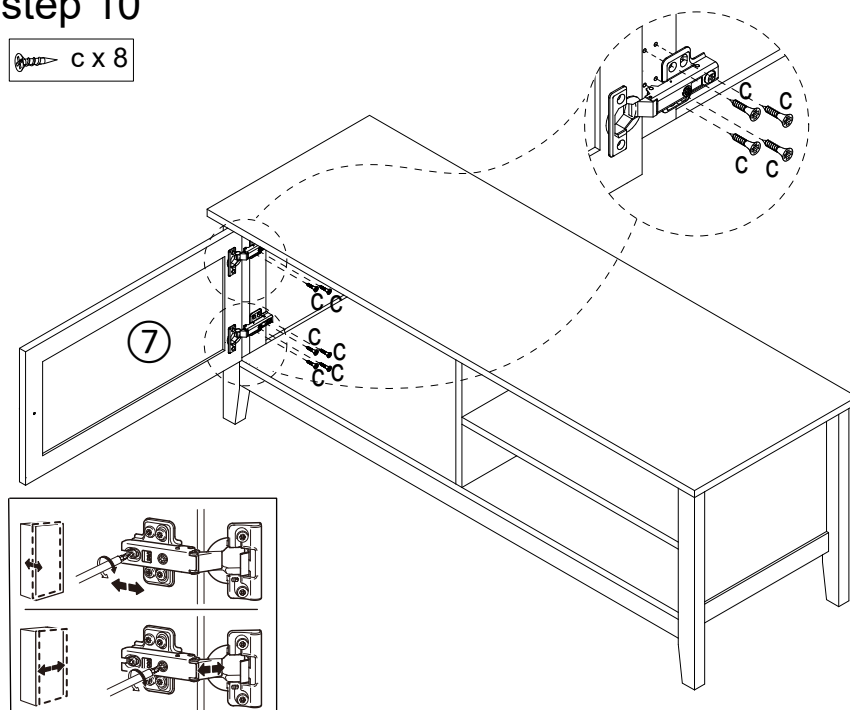
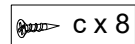
### step 8



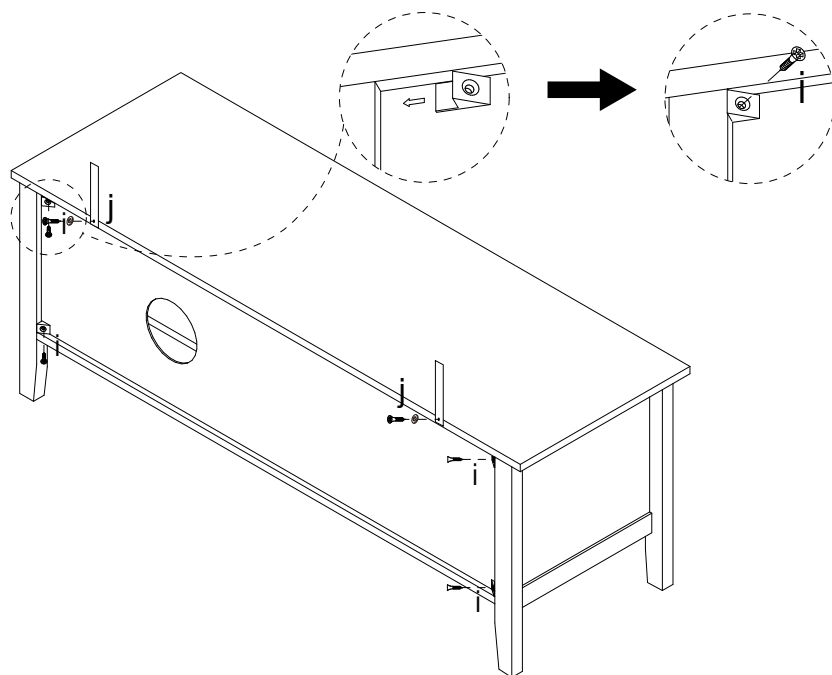
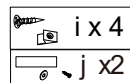
## step 9



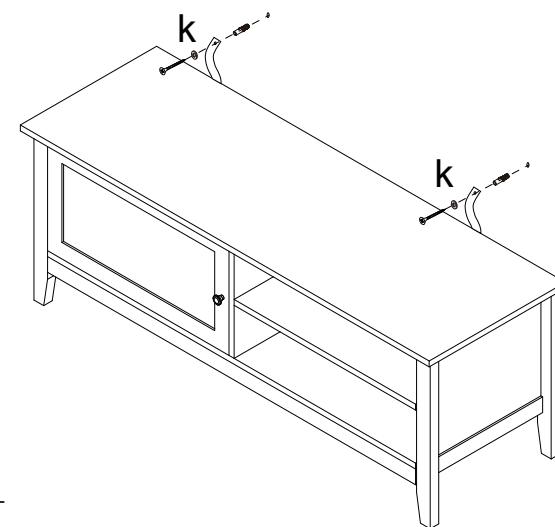
## step 10



## step 11



## step 12



**USER INSTRUCTION FOR WALL ANCHOR:**  
IT IS STRONGLY RECOMMENDED THAT THIS PRODUCT IS PERMANENTLY FIXED TO THE WALL. PLEASE SEEK PROFESSIONAL ADVICE IF YOU ARE IN DOUBT OF WHAT FIXING DEVICE TO USE. REGULARLY CHECK THAT ANCHORS ARE SECURELY MAINTAINED. CAUTION: FOR YOUR SAFETY WHEN ATTACHING THE ANCHOR FIXINGS, PLEASE NOTE THE FOLLOWING: CHECK ANY ELECTRICAL WIRES OR PLUMBING INSIDE THE WALL BEFORE DRILLING ANY HOLES (IF YOU ARE UNSURE PLEASE SEEK PROFESSIONAL ADVICE FROM A QUALIFIED TRADESPERSON)



**WARNING: PLEASE SECURE YOUR FURNITURE WITH THE SUPPLIED WALL FIXING. SCAN THE CODE FOR**

