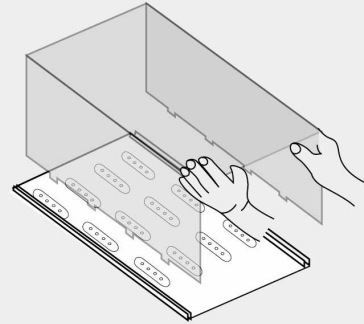
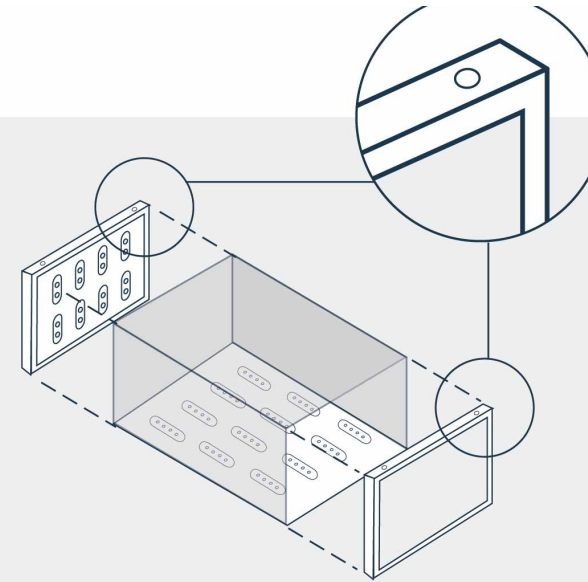


## Assembly instructions

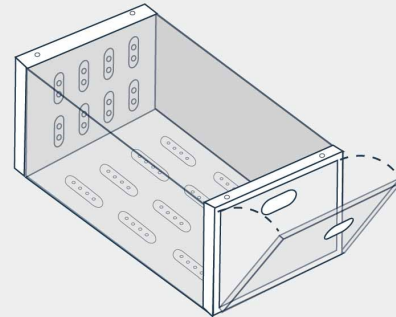
- 1** Place the base on a flat surface and click in the clear folded piece.



- 2** Click on the back and front pieces.



- 3** Please note, the opening at the front can be hinged from the top or bottom.



- Stack securely by aligning the grooves into each other.

