

Assembly Instructions

Hamptons Short Cabinet

CARE INSTRUCTIONS:












For indoor and domestic use. Keep away from water and direct sunlight. Wipe clean with a soft dry cloth. Check and tighten all parts regularly.






WARNING:

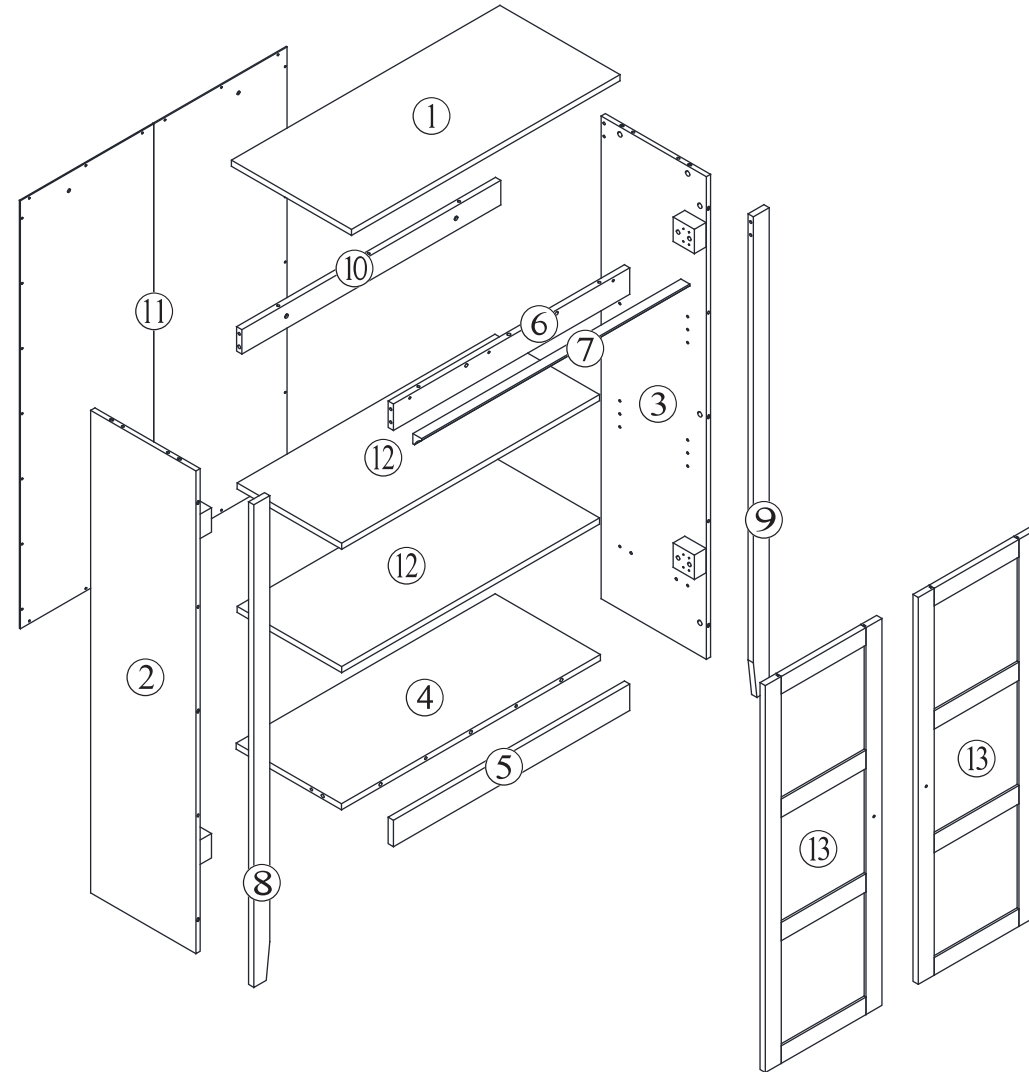
Do not stand or sit on the unit. Do not lean on the product. Do not drag the product. Use only on a flat surface. Do not use until all screws, bolts and knobs are firmly secured. This product contains small parts and sharp points, keep away from children and babies. Adult assembly required. Failure to follow these warnings could result in serious injury.

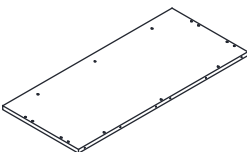
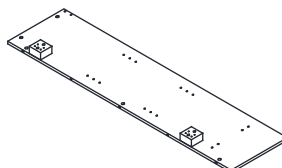
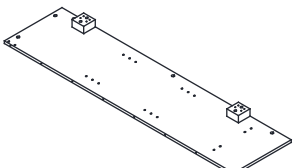
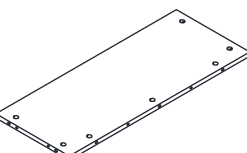
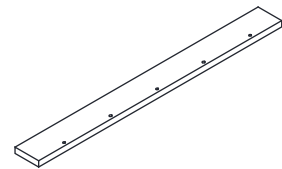
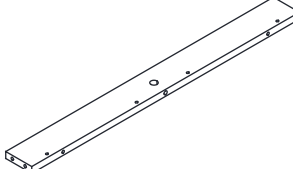
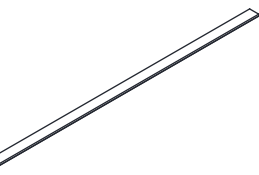
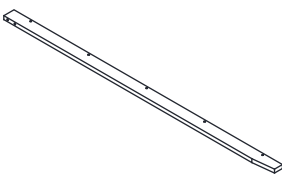
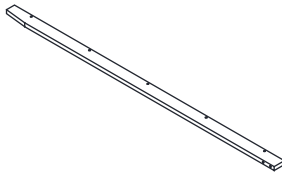
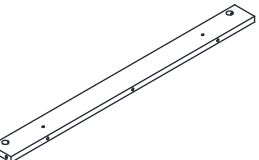
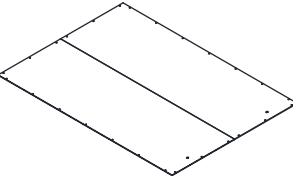
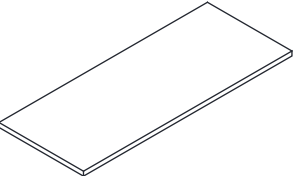
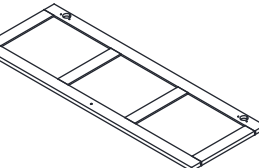
MAXIMUM SAFE LOAD: 10kg per layer, 15kg for top panel, 14kg for bottom panel.

Hardware list

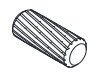
	A		2 PCS
	B		10 PCS
	C		10 PCS
	D		10 PCS
	E		10 PCS
	F	Ø7.8 x 20mm	2 PCS
	G	Ø5.8 x 30mm	25 PCS
	H	Ø4 x 25mm	4 PCS
	I		8 PCS
	J	Ø4 x 50mm	2 PCS
	K		2 PCS

	L		4 PCS
	M	Ø4 x 14mm	24 PCS
	N		2 PCS
	O	M4 x 30mm	2 PCS
	P	Ø3 x 12mm	26 PCS

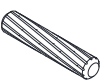


		
① 1PC	② 1PC	③ 1PC
		
④ 1PC	⑤ 1PC	⑥ 1PC
		
⑦ 1PC	⑧ 1PC	⑨ 1PC
		
⑩ 1PC	⑪ 1PC	⑫ 2PC
		
⑬ 2PC		

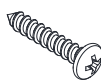
STEP 1



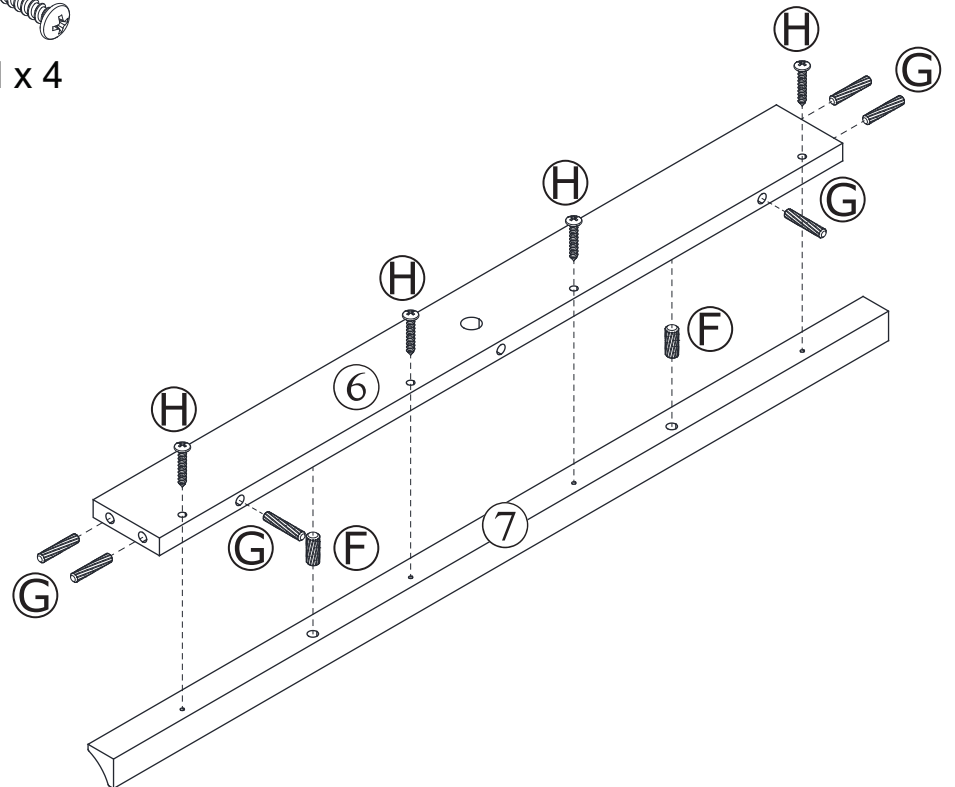
F x 2



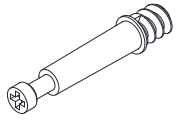
G x 6



H x 4



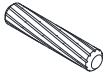
STEP 2



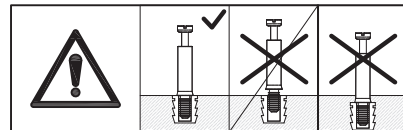
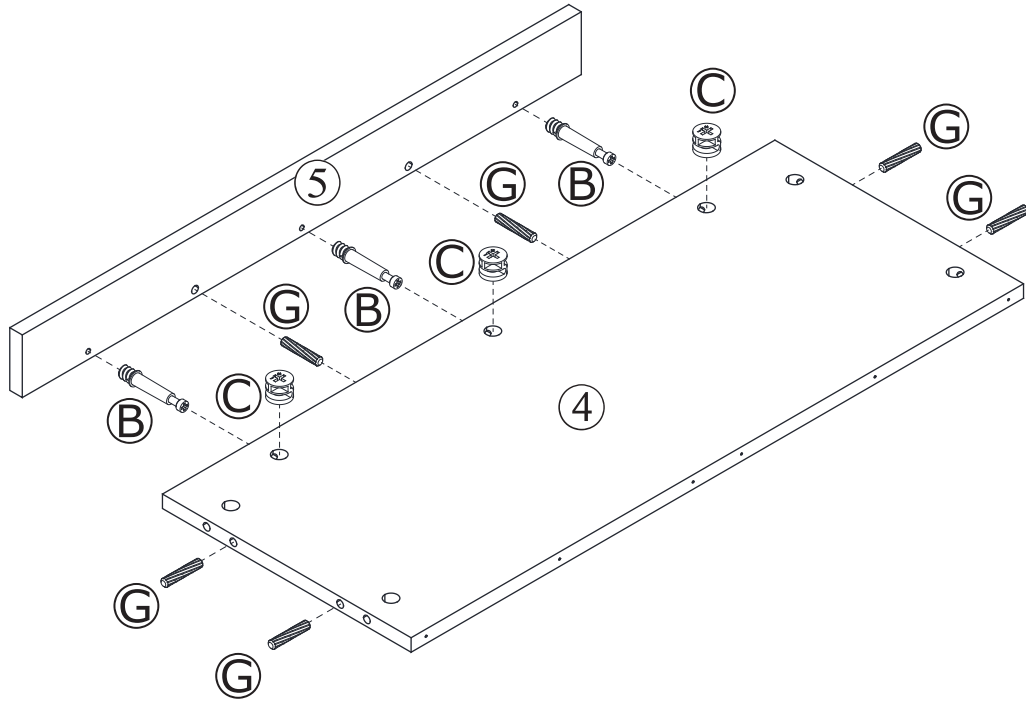
B x 3



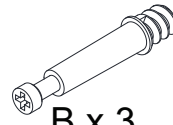
C x 3



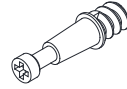
G x 6



STEP 3



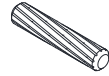
B x 3



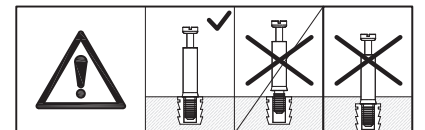
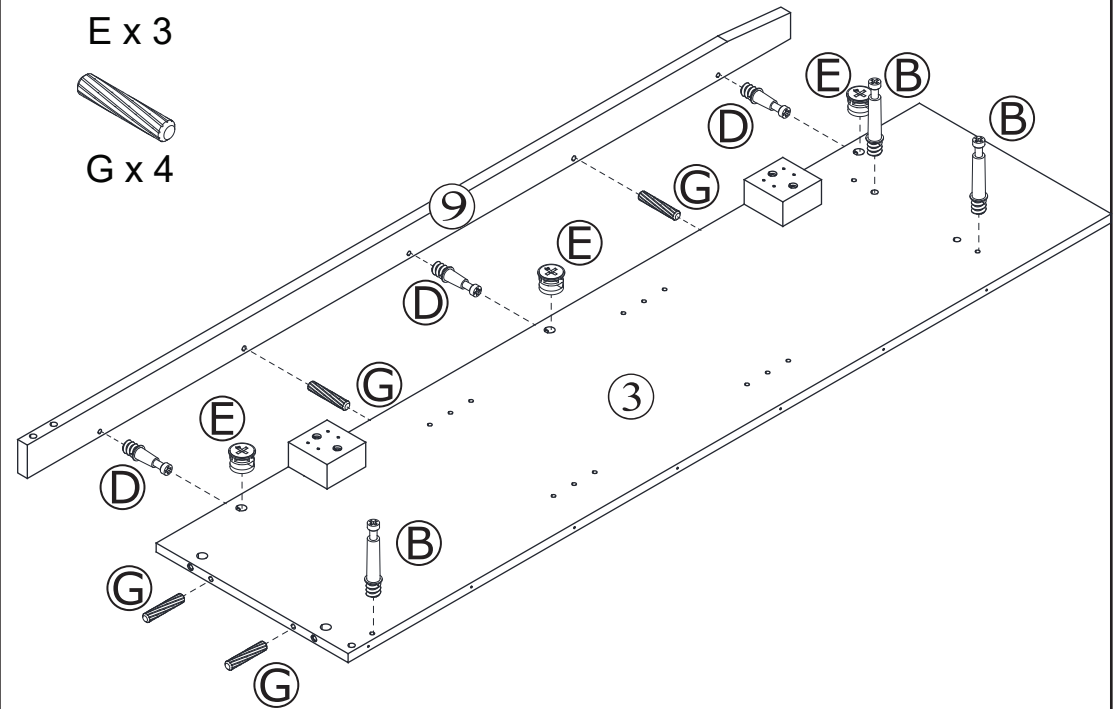
D x 3



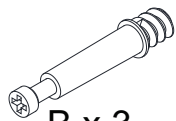
E x 3



G x 4



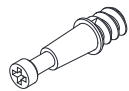
STEP 4



B x 3



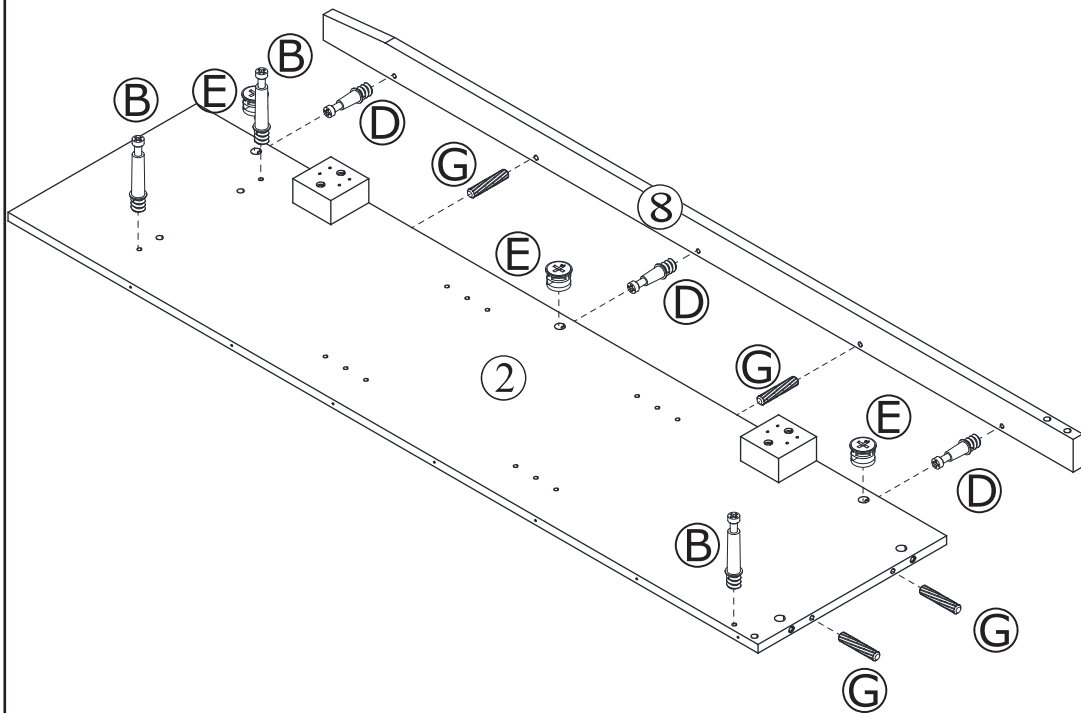
E x 3



D x 3



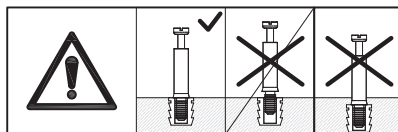
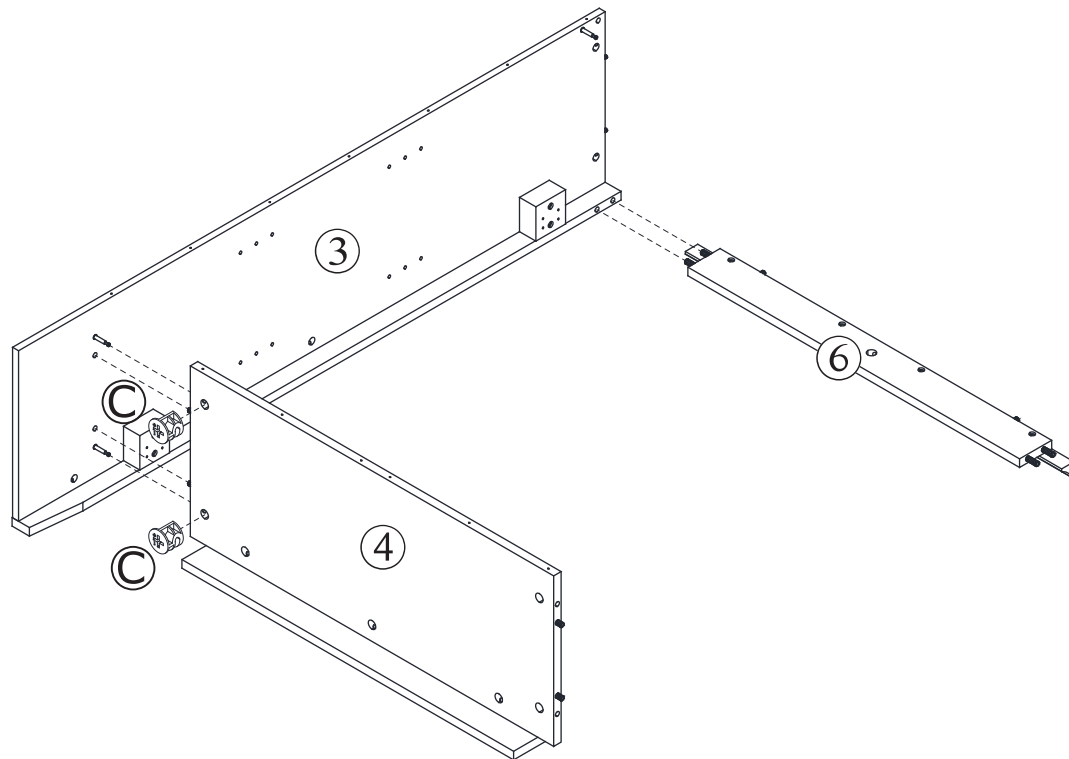
G x 4



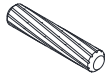
STEP 5



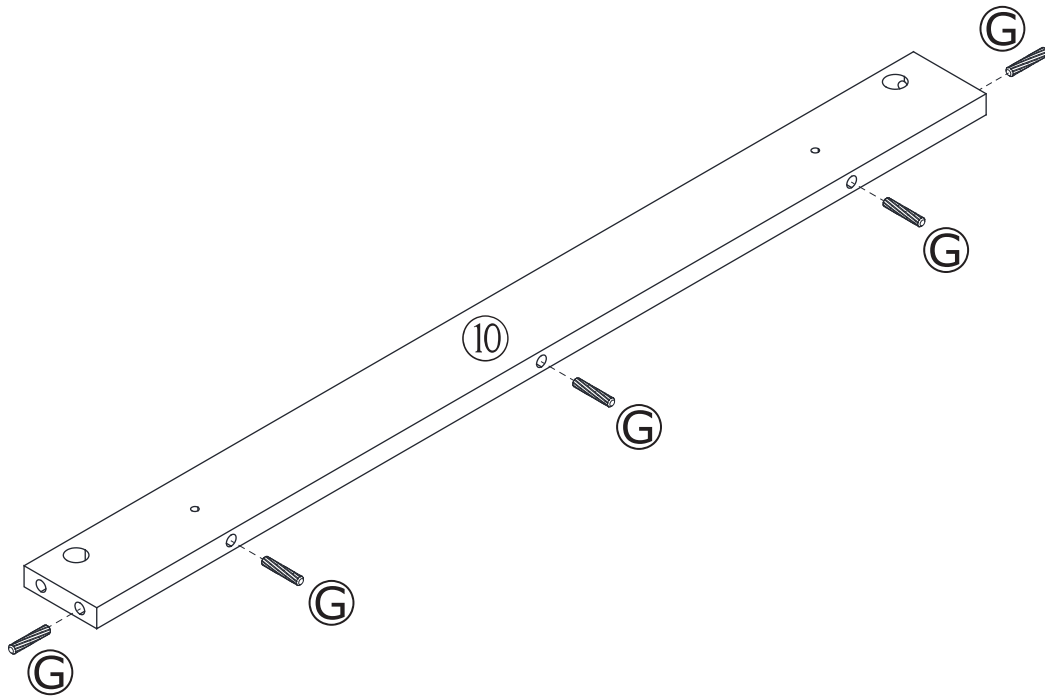
C x 2



STEP 6



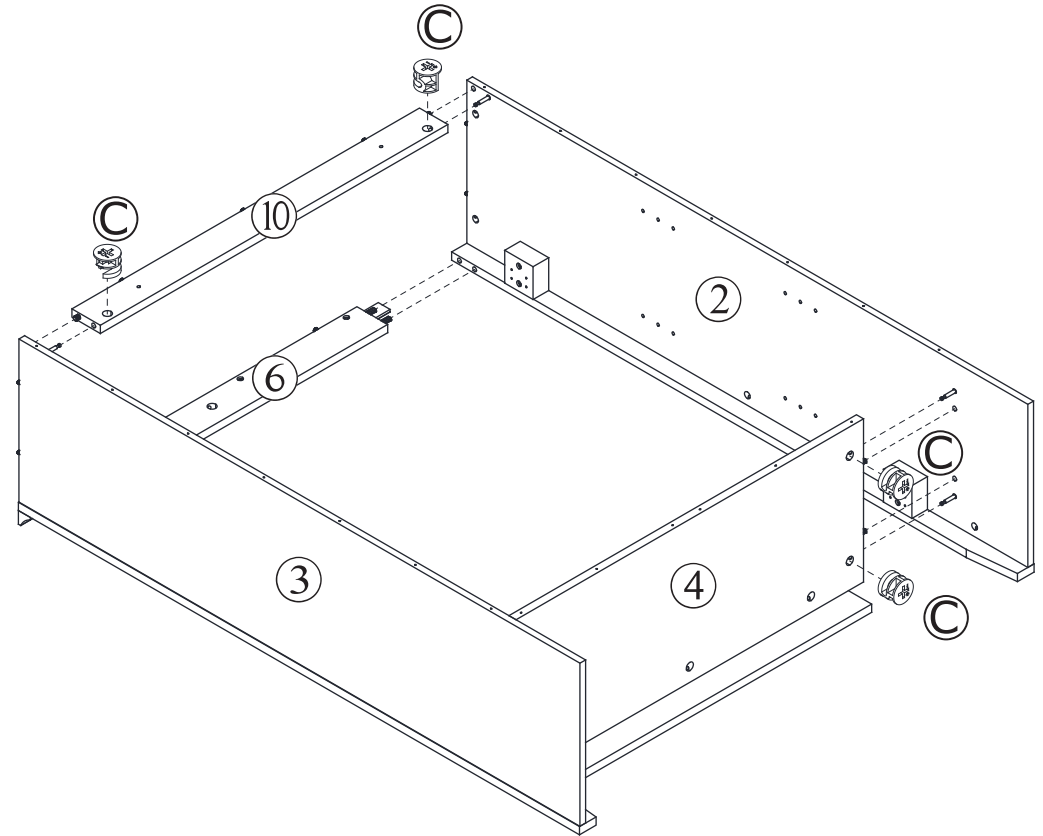
G x 5



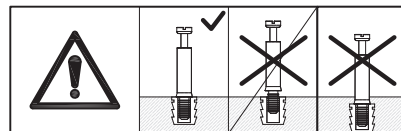
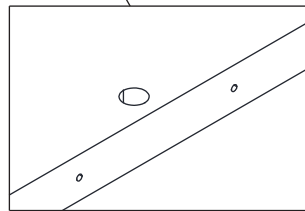
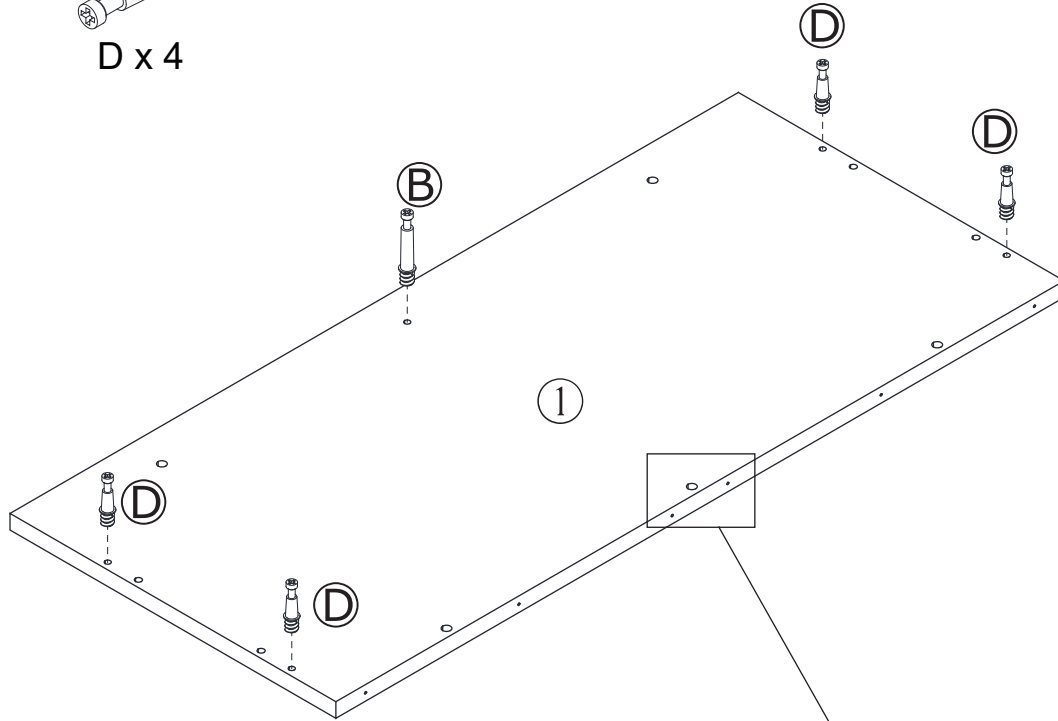
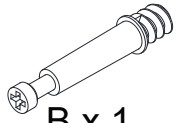
STEP 7



C x 4



STEP 8



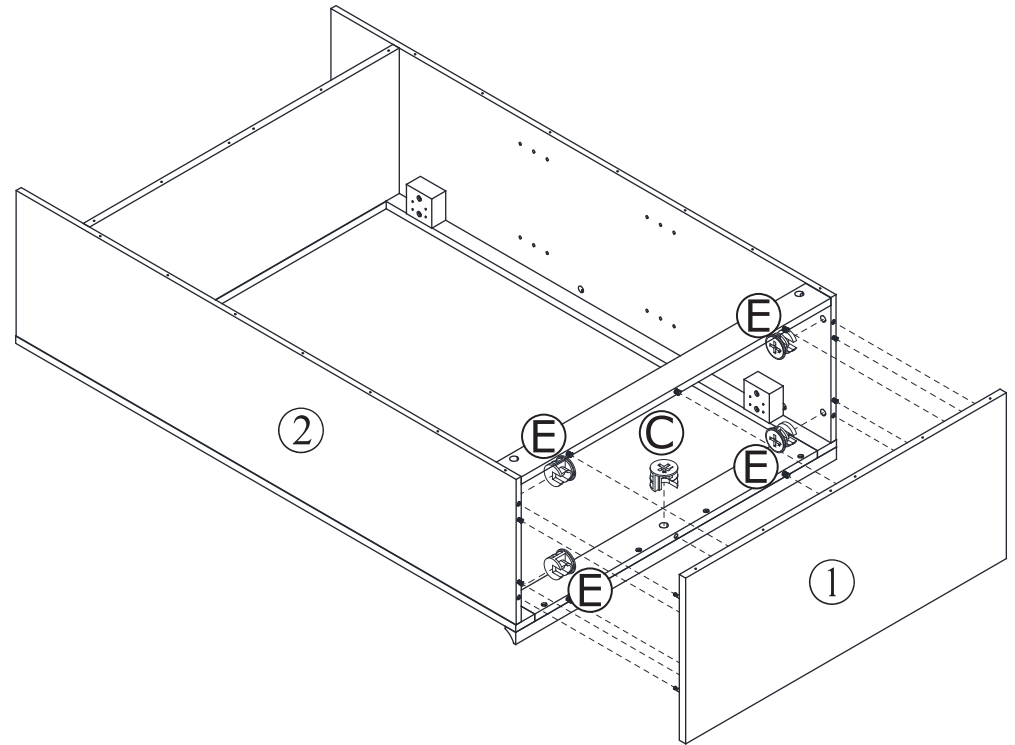
STEP 9



C x 1



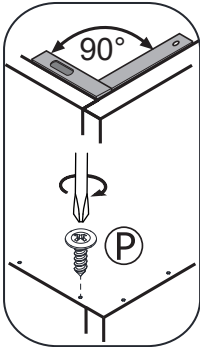
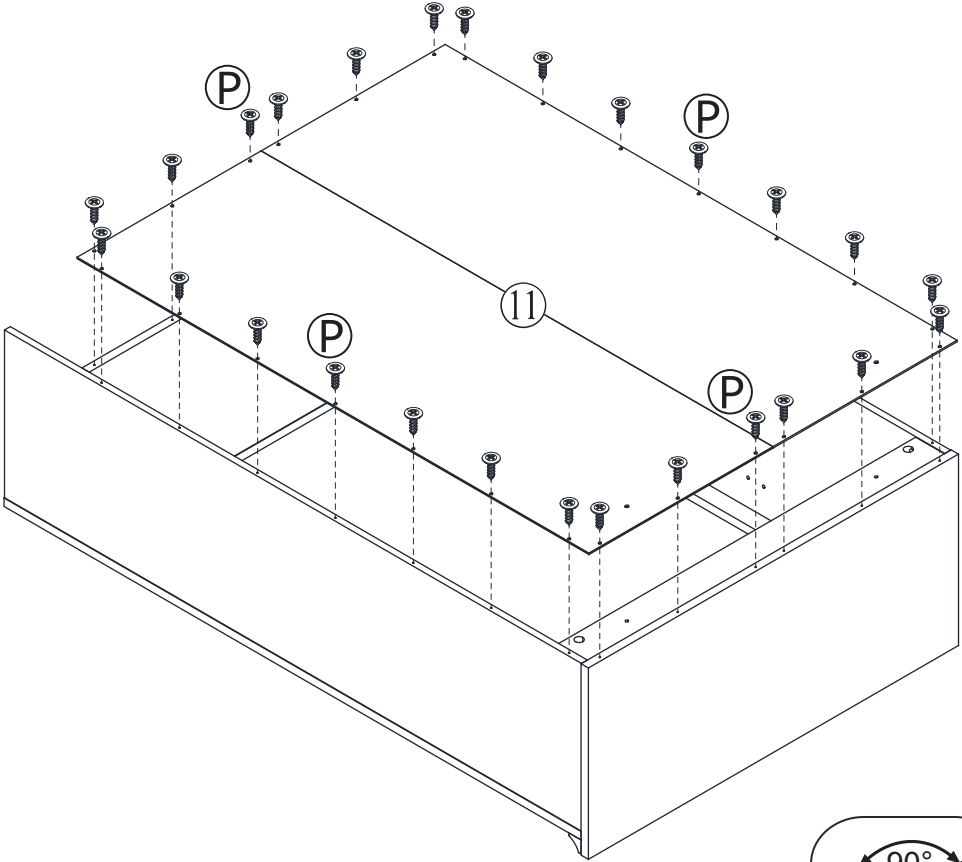
E x 4



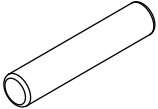
STEP 10



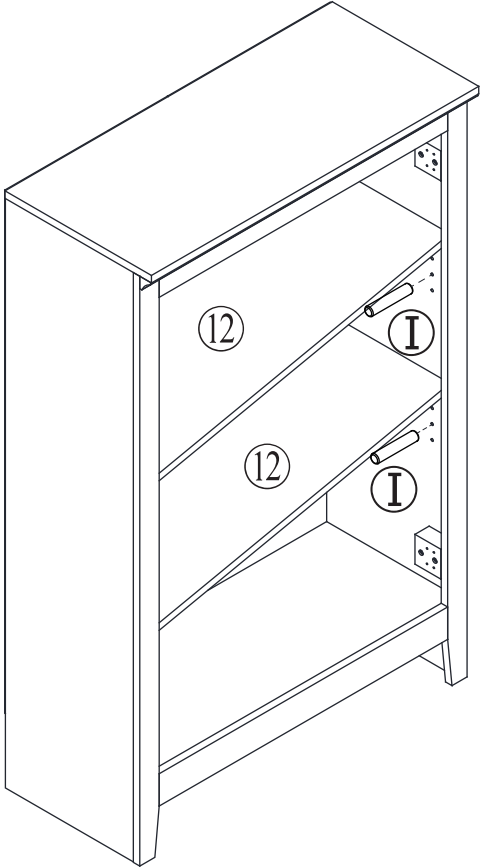
P x 26



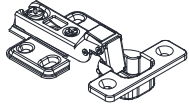
STEP 11



I x 8



STEP 12 **x 2**



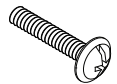
L x 4



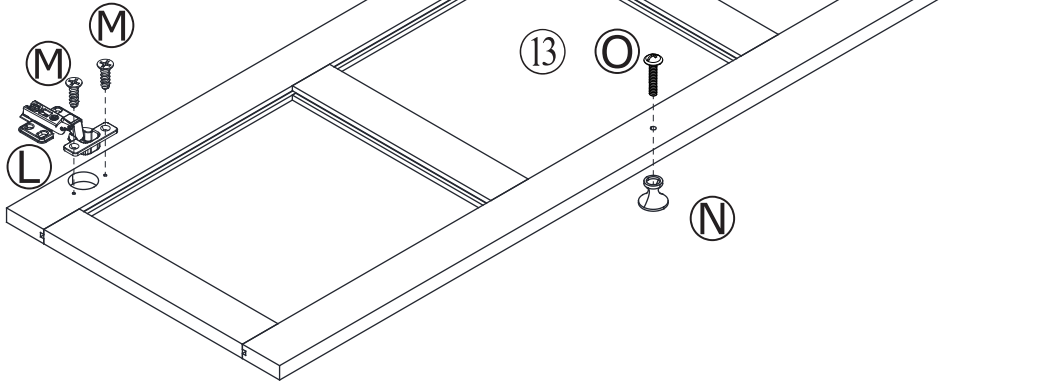
M x 8



N x 2



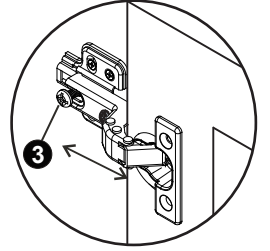
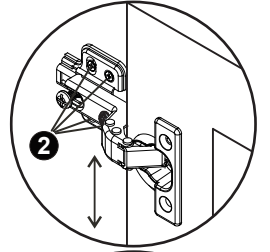
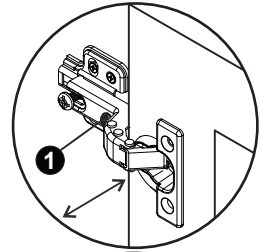
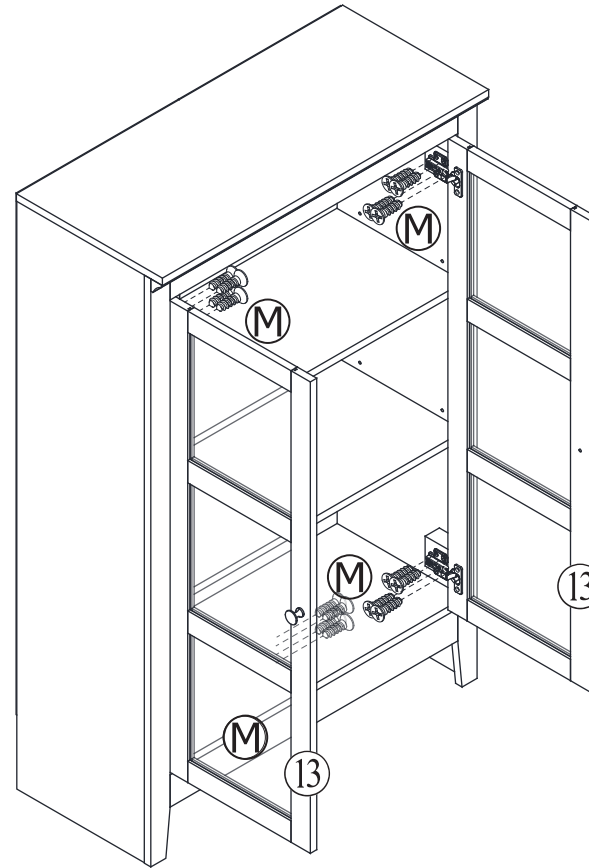
O x 2



STEP 13



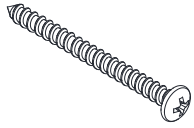
M x 16



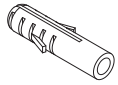
STEP 14



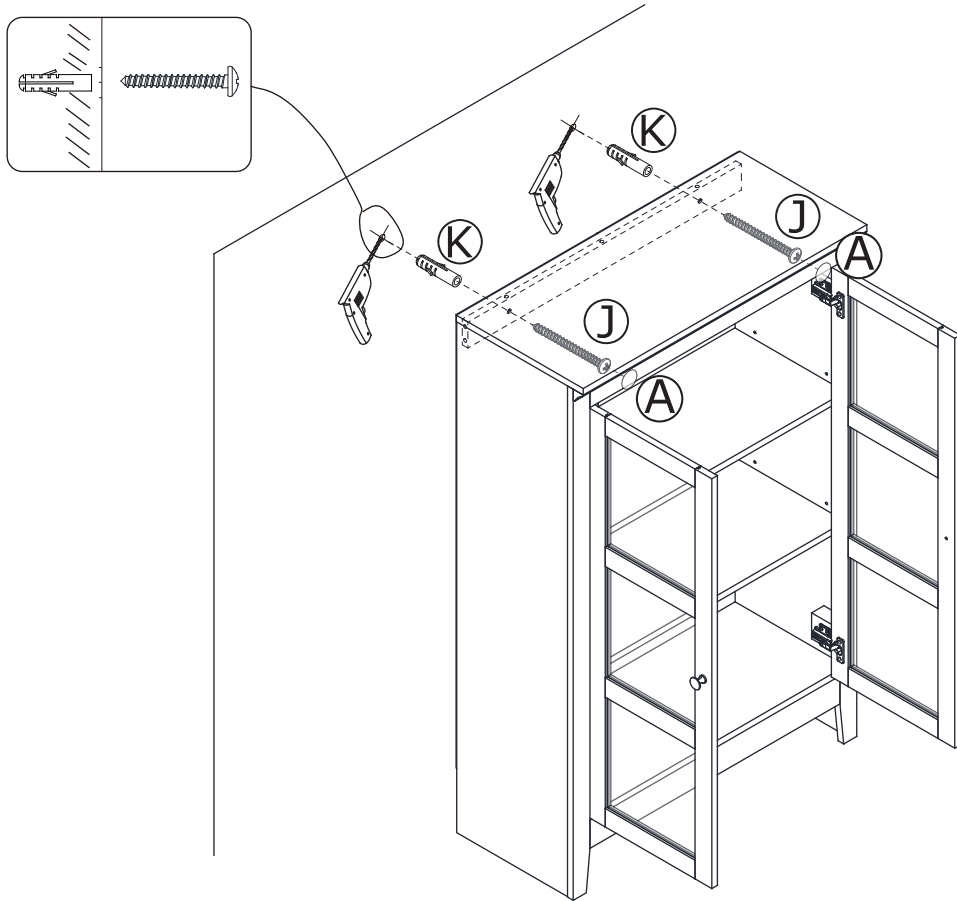
A x 2



J x 2



K x 2



- It is strongly recommended that this product is permanently fixed to the wall.
- Please seek professional advice if you are in doubt of what fixing device to use.
- Regularly check that anchors are securely maintained.
- Use safety drawer locks to prevent children climbing
- Stability of tall items may be affected by thick pile carpet or uneven floors
- Do not place unanchored televisions on furniture

CAUTION: for your safety when attaching the anchor fixings, please note the following:
Check any electrical wires or plumbing inside the wall before drilling any holes
(if you are unsure please seek professional advice from a qualified tradesperson).