

Assembly Instructions

43109029 BLAKE LADDER BOOKSHELF

CARE INSTRUCTIONS:

WIPE CLEAN WITH A DAMP OR DRY CLOTH. DO NOT USE ABRASIVE MATERIALS AND SOLVENTS. KEEP AWAY FROM WATER AND DIRECT SUNLIGHT. STORE IN A DRY PLACE. FOR INDOOR AND DOMESTIC USE ONLY.

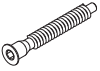







WARNING:

DO NOT SIT OR STAND ON THIS TABLE. DO NOT DRAG OR KNOCK THE TABLE. DO NOT USE THIS TABLE UNLESS ALL BOLTS AND SCREWS ARE FIRMLY SECURED. THIS PACKAGE CONTAINS SMALL PARTS AND SHARP POINTS. KEEP AWAY FROM CHILDREN AND BABIES. ADULT ASSEMBLY REQUIRED. USE ONLY ON A FLAT SURFACE. FAILURE TO FOLLOW THESE WARNINGS COULD IN SERIOUS INJURY. A MILD ODOUR MAY BE PRESENT WHEN FIRST OPENING THIS CARTON. SIMPLY ALLOW TO AIR OUTSIDE AND THIS WILL FADE.

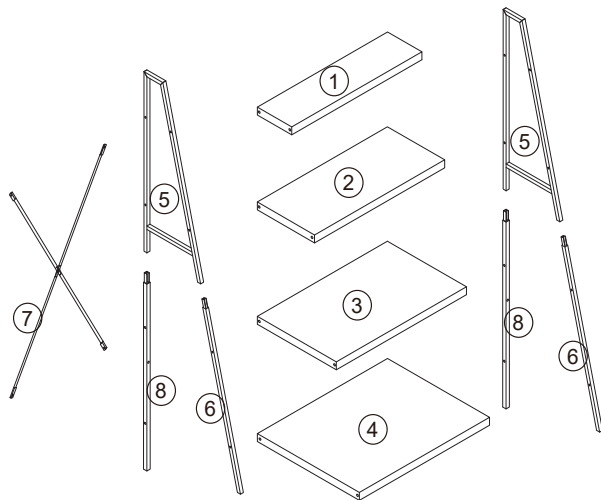
MAXIMUM SAFE LOAD: 5KG FOR 1ST/2ND LAYER, 12KG FOR 3RD/4TH LAYER.

①

Hardware list

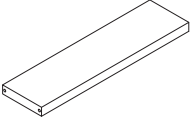
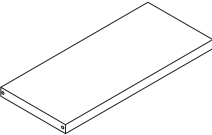
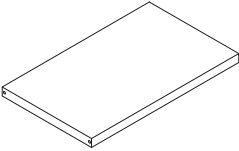
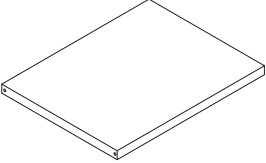




	A	Ø7X38mm	16PCS		E	2PCS
	B	M6x12mm	13PCS		F	2PCS
	C		1PC		G	1PC
	D	M4x35mm	2PCS		H	1PC

②

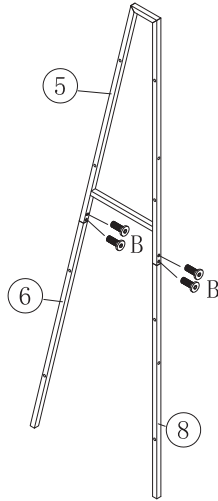


Do not tighten the screws fully during assembly.
Fully tighten screws after the final assembly steps

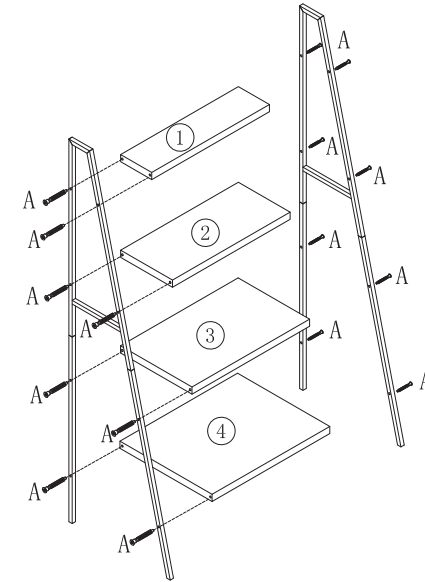
③

					
①	1PC	②	1PC	③	1PC
					
④	1PC	⑤	2PCS	⑥	2PCS
					
⑦	2PCS	⑧	2PCS		

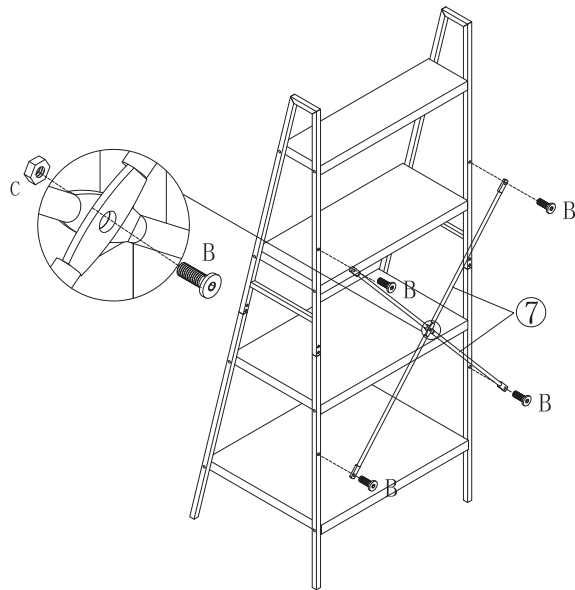
STEP 1  B x 4






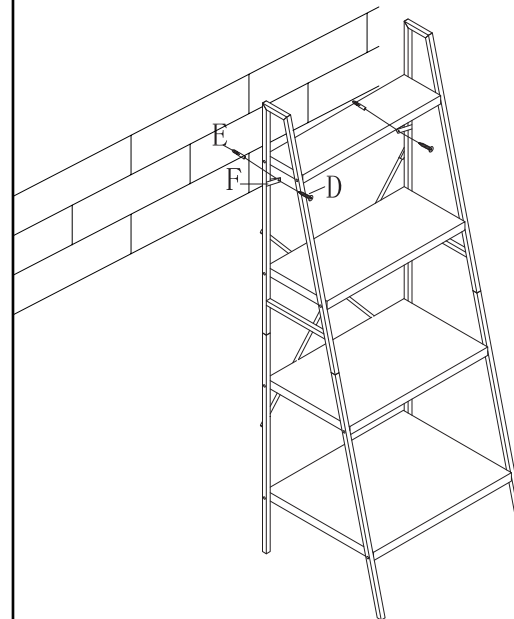
STEP 2  A x 16



STEP 3  B x 5  C x 1



STEP 4  D x 2  F x 2  E x 2



USER INSTRUCTION FOR WALL ANCHOR:
 IT IS STRONGLY RECOMMENDED THAT THIS PRODUCT IS PERMANENTLY FIXED TO THE WALL. PLEASE SEEK PROFESSIONAL ADVICE IF YOU ARE IN DOUBT OF WHAT FIXING DEVICE TO USE. REGULARLY CHECK THAT ANCHORS ARE SECURELY MAINTAINED. CAUTION: FOR YOUR SAFETY WHEN ATTACHING THE ANCHOR FIXINGS, PLEASE NOTE THE FOLLOWING: CHECK ANY ELECTRICAL WIRES OR PLUMBING INSIDE THE WALL BEFORE DRILLING ANY HOLES (IF YOU ARE UNSURE PLEASE SEEK PROFESSIONAL ADVICE FROM A QUALIFIED TRADESPERSON)



WARNING: PLEASE SECURE YOUR FURNITURE WITH THE SUPPLIED WALL FIXING. SCAN THE CODE FOR

