

# Assembly Instructions

## 43107667 RATTAN BAR CABINET

### CARE INSTRUCTIONS:







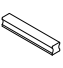



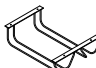



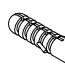


WIPE CLEAN WITH A DRY CLOTH. DO NOT USE ABRASIVE MATERIALS AND SOLVENTS. CHECK AND TIGHTEN ALL PARTS REGULARLY. DO NOT PLACE HOT ITEMS SUCH AS COFFEE CUPS DIRECTLY ON THE SURFACE. KEEP AWAY FROM WATER AND DIRECT SUNLIGHT. STORE IN A DRY PLACE. FOR DOMESTIC USE ONLY. FOR INDOOR USE ONLY. A MILD ODOUR MAY BE PRESENT WHEN FIRST OPENING THIS CARTON. SIMPLY ALLOW TO AIR OUTSIDE AND THIS WILL FADE.

### WARNING!

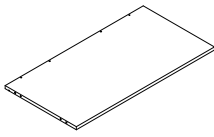


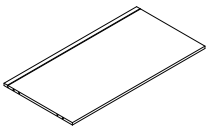
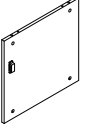
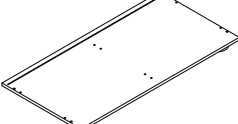
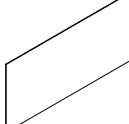
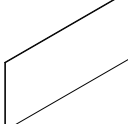
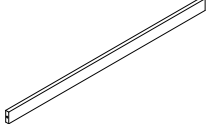
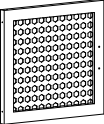

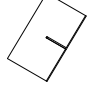
DO NOT STAND OR SIT ON THIS UNIT. DO NOT USE THIS UNIT UNLESS ALL BOLTS AND SCREWS ARE FIRMLY SECURED. DO NOT KNOCK OR DRAG THIS UNIT. USE ONLY ON A FLAT SURFACE. ADULT ASSEMBLY REQUIRED. FAILURE TO FOLLOW THESE WARNINGS COULD RESULT IN SERIOUS INJURY. LOAD DRAWER EVENLY TO PREVENT FROM TIPPING OVER. THIS PACKAGE CONTAINS SMALL PARTS AND SHARP POINTS. KEEP AWAY FROM CHILDREN AND BABIES.

**MAXIMUM SAFE LOAD: 15KGS FOR TOP PANEL, 10KGS FOR MIDDLE SHELF, 5KGS FOR EACH BOTTOM CUBE.**

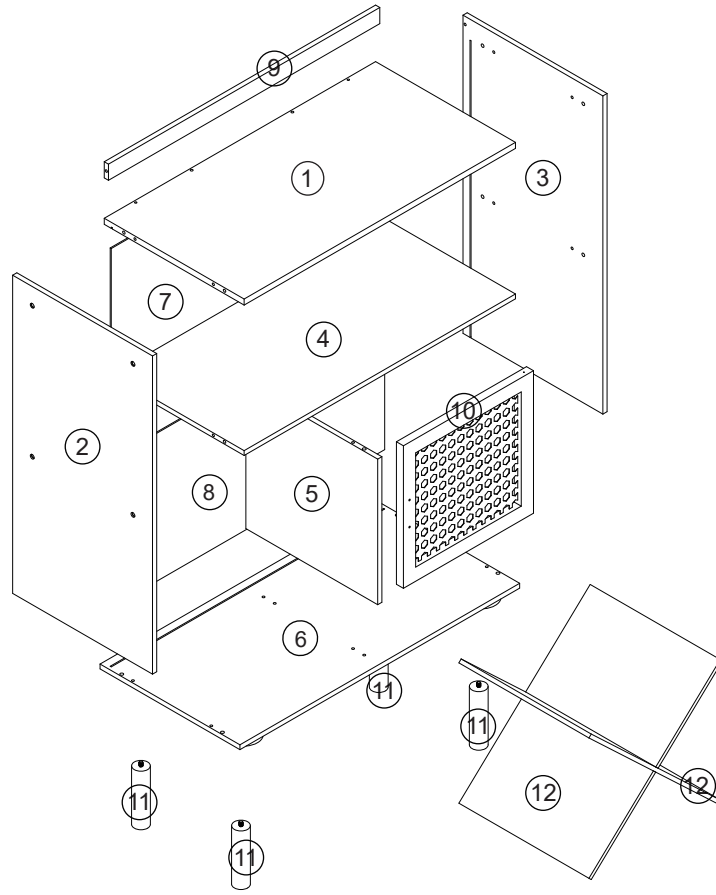
## 1 Hardware List

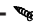

	A	6x30mm	18pcs		B	6x35mm	4pcs		C	12x10mm	4pcs
	D	7x50mm	12pcs		E		2pcs		F	3x18mm	4pcs
	G	100x20 x15mm	1pc		H	4x35mm	2pcs		I	4x30mm	2pcs
	J	4x15mm	4pcs		K	345x220 x62mm	1pc		L	3x14mm	2pcs
	M		2pcs		N		4pcs		O		2pcs
	P	4x40mm	2pcs		Q		1pc				

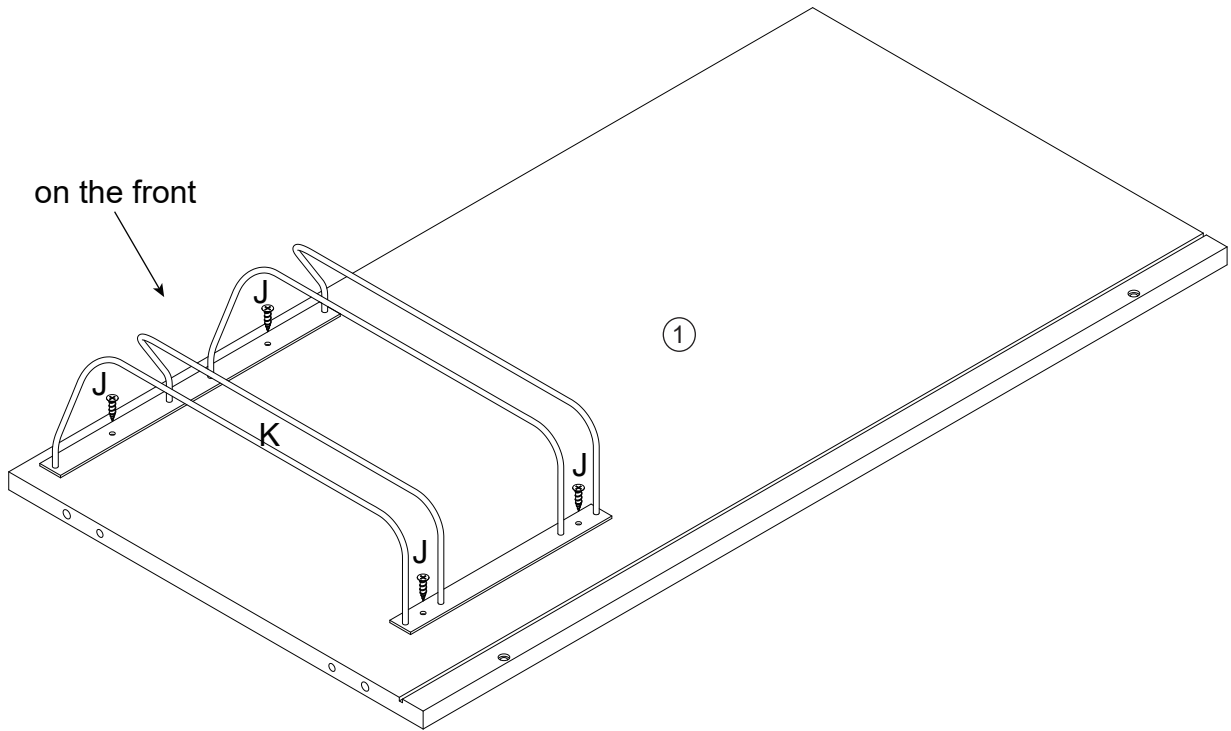
## 2 Parts List

	1pc		1pc		1pc		1pc
	1pc		1pc		1pc		1pc
	1pc		1pc		4pcs		2pcs


3



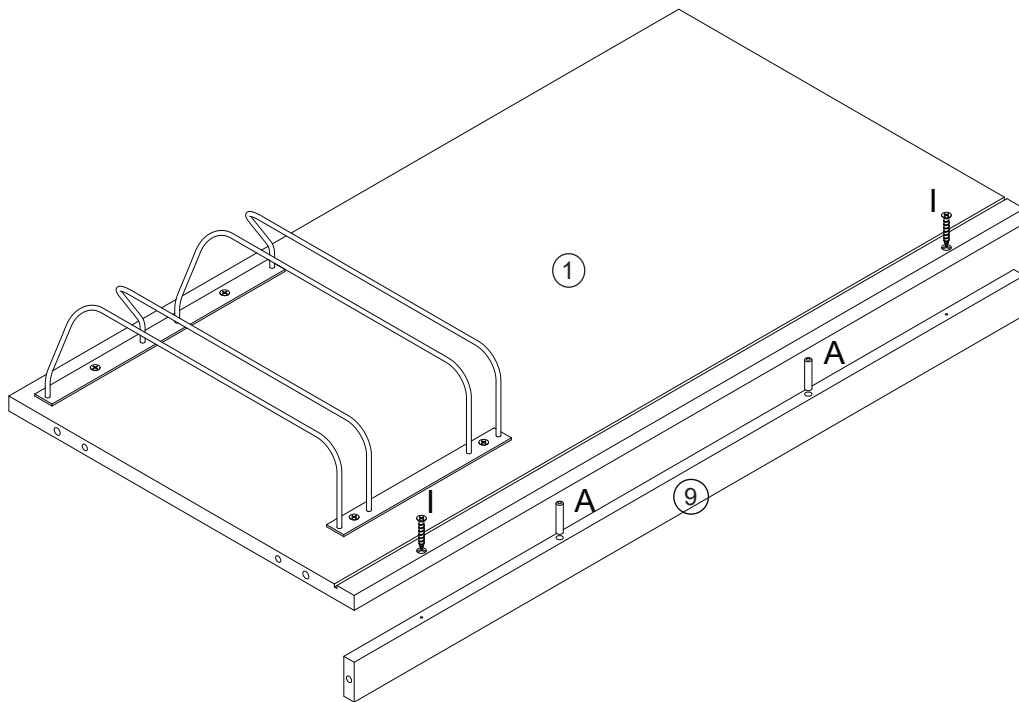
STEP 1 J -  x 4 K -  x 1




STEP 2


A -  x 2

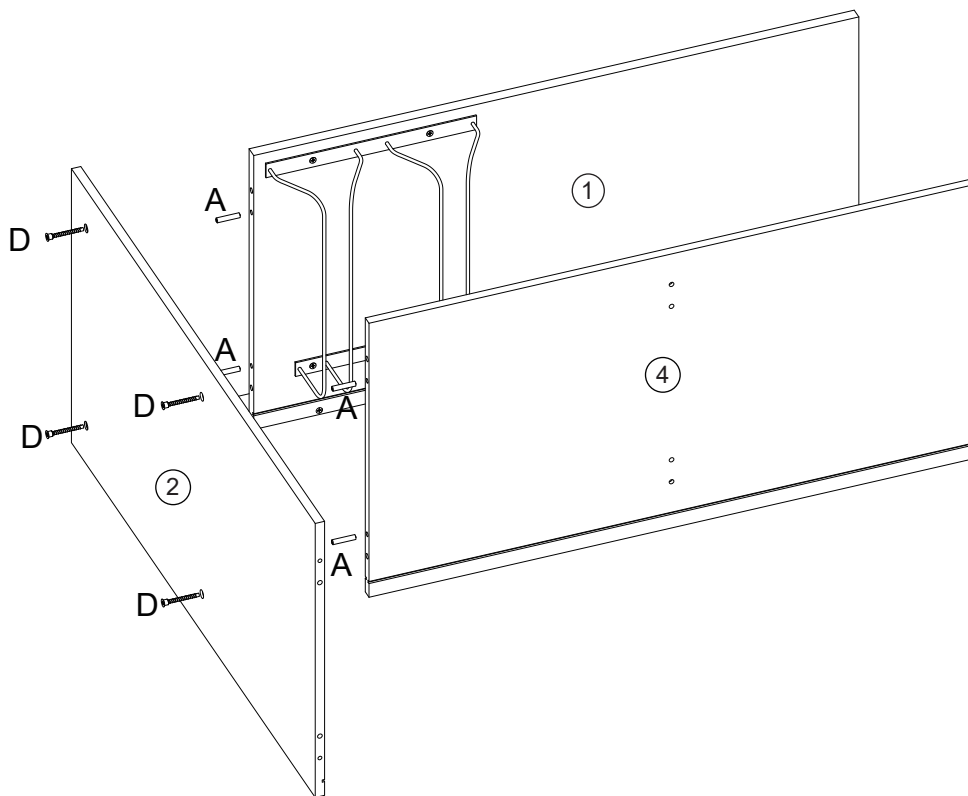
I -  x 2



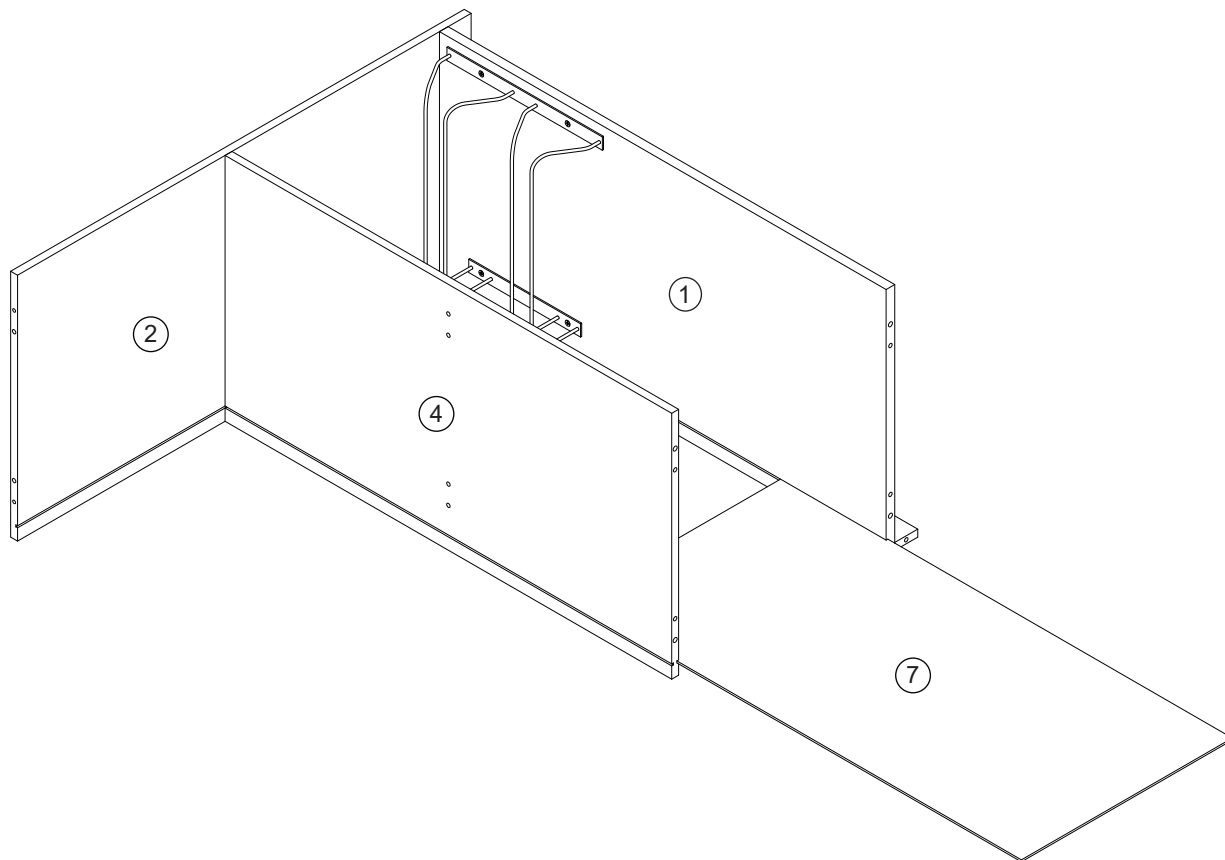
STEP 3

A -  x 4

D -  x 4

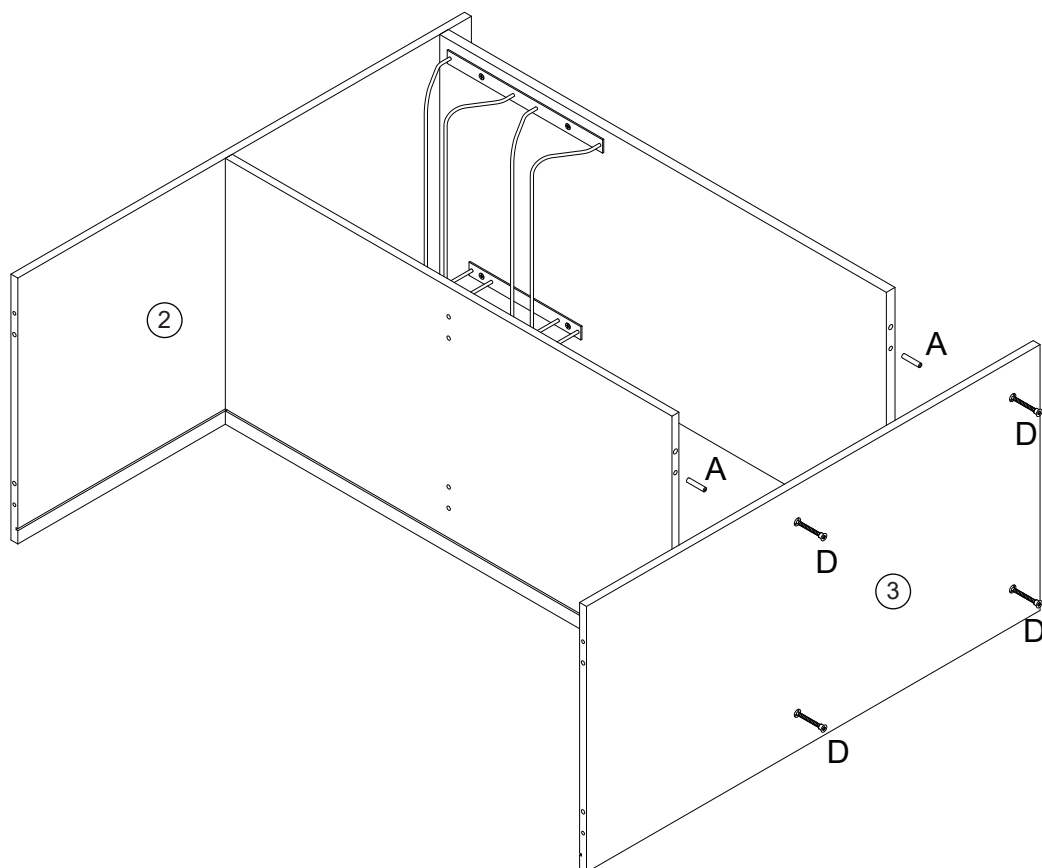


STEP 4





STEP 5


A -  x 4      D -  x 4

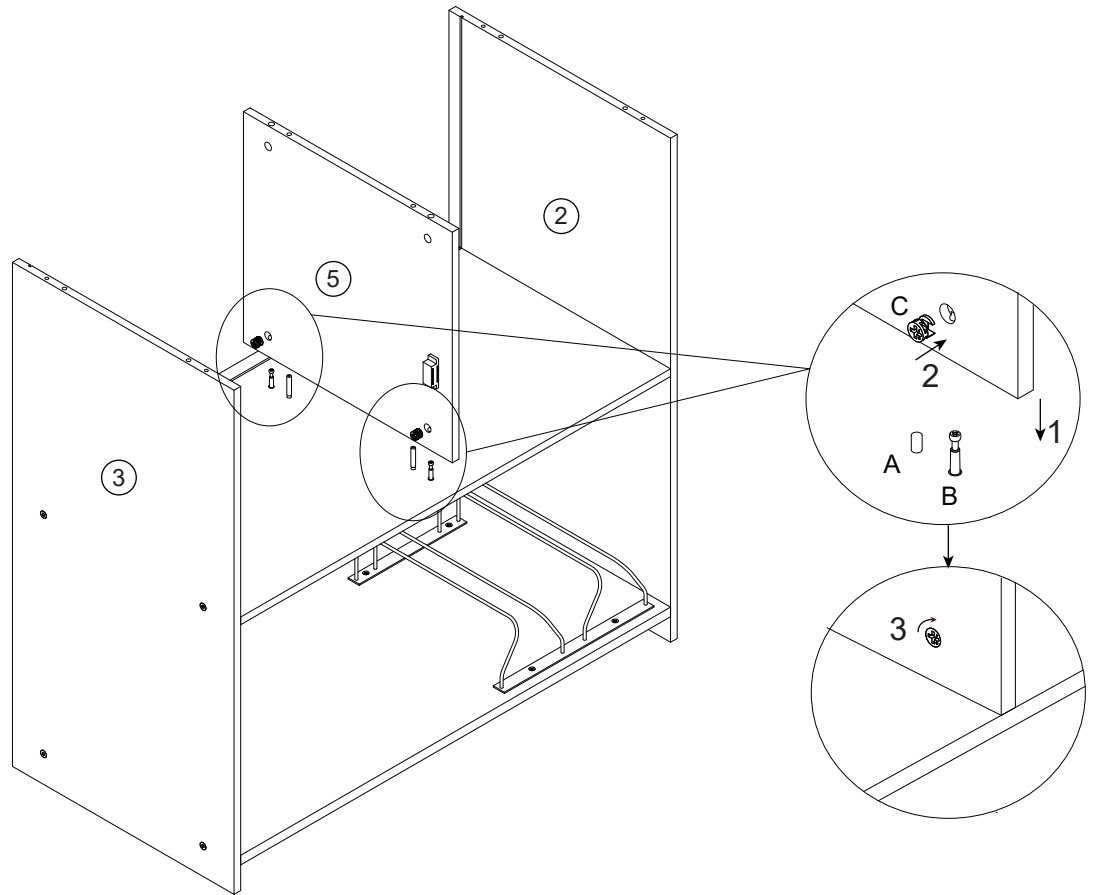


STEP 6

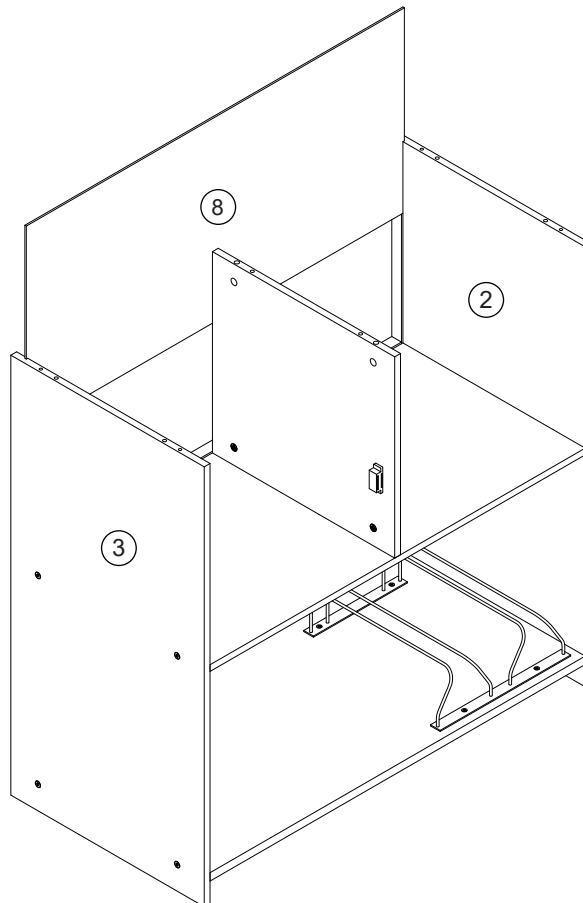
A -  x 2

B -  x 2

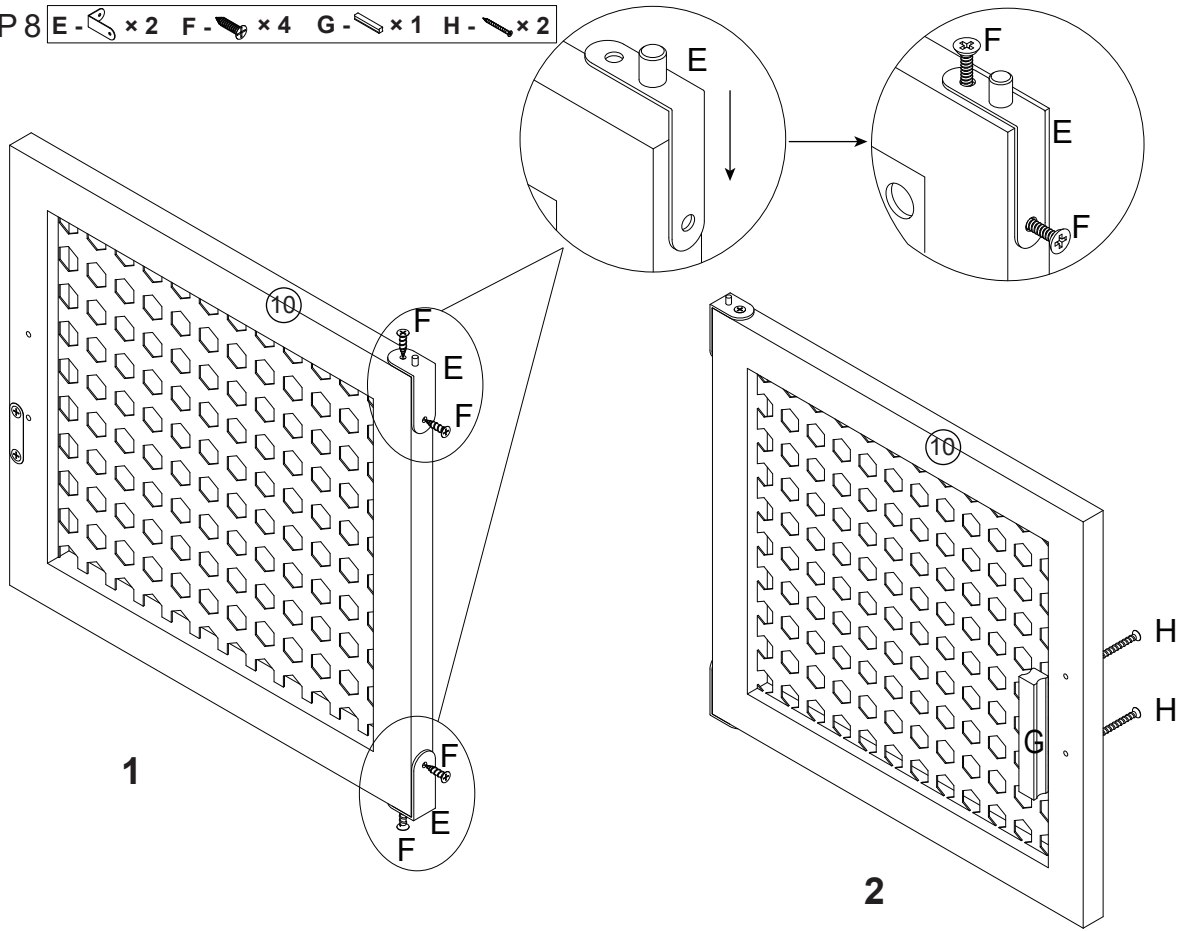
C -  x 2


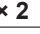

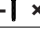


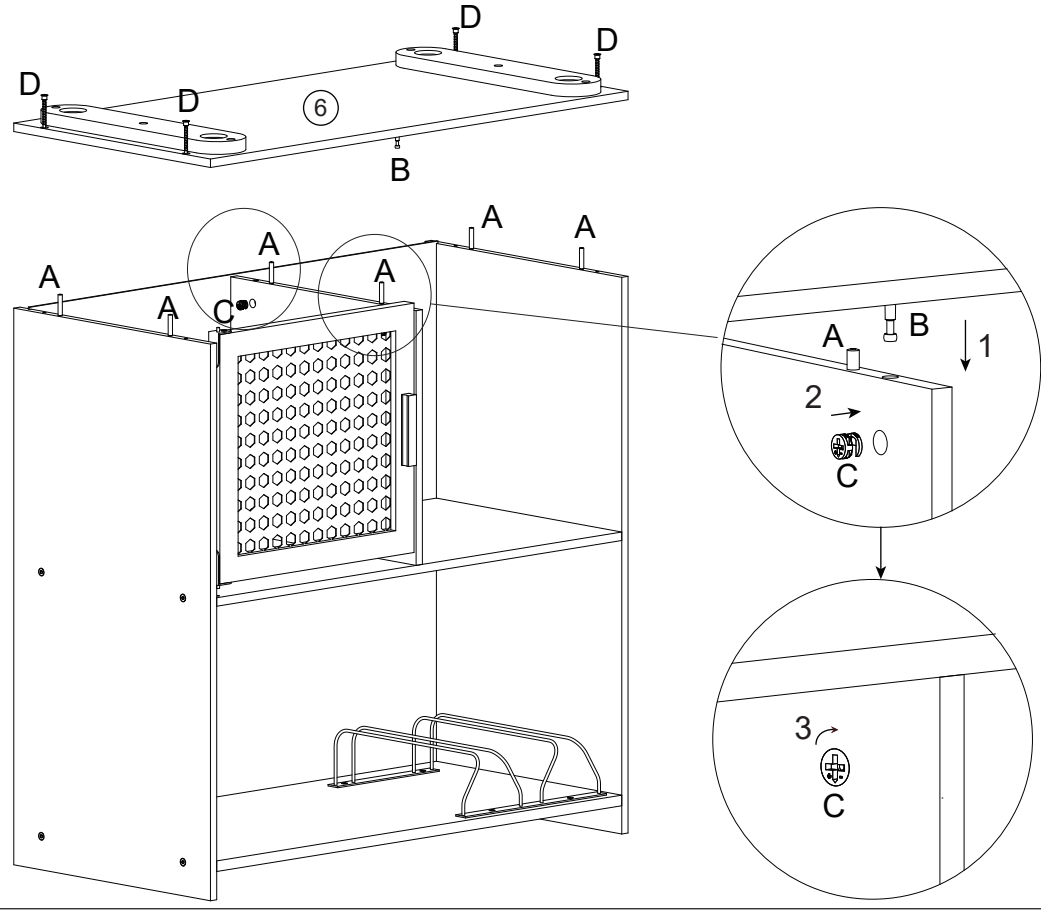
STEP 7



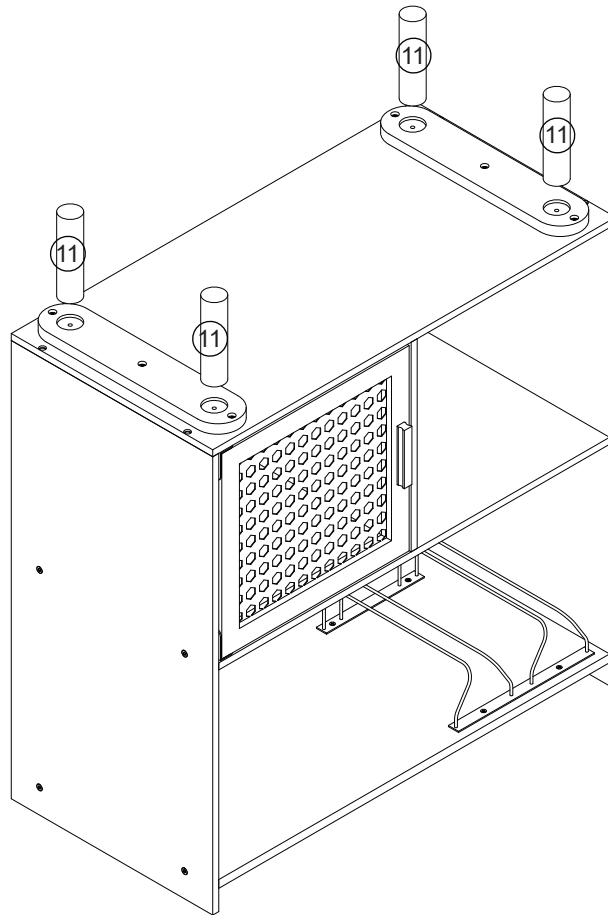
STEP 8 E-  x2 F-  x4 G-  x1 H-  x2



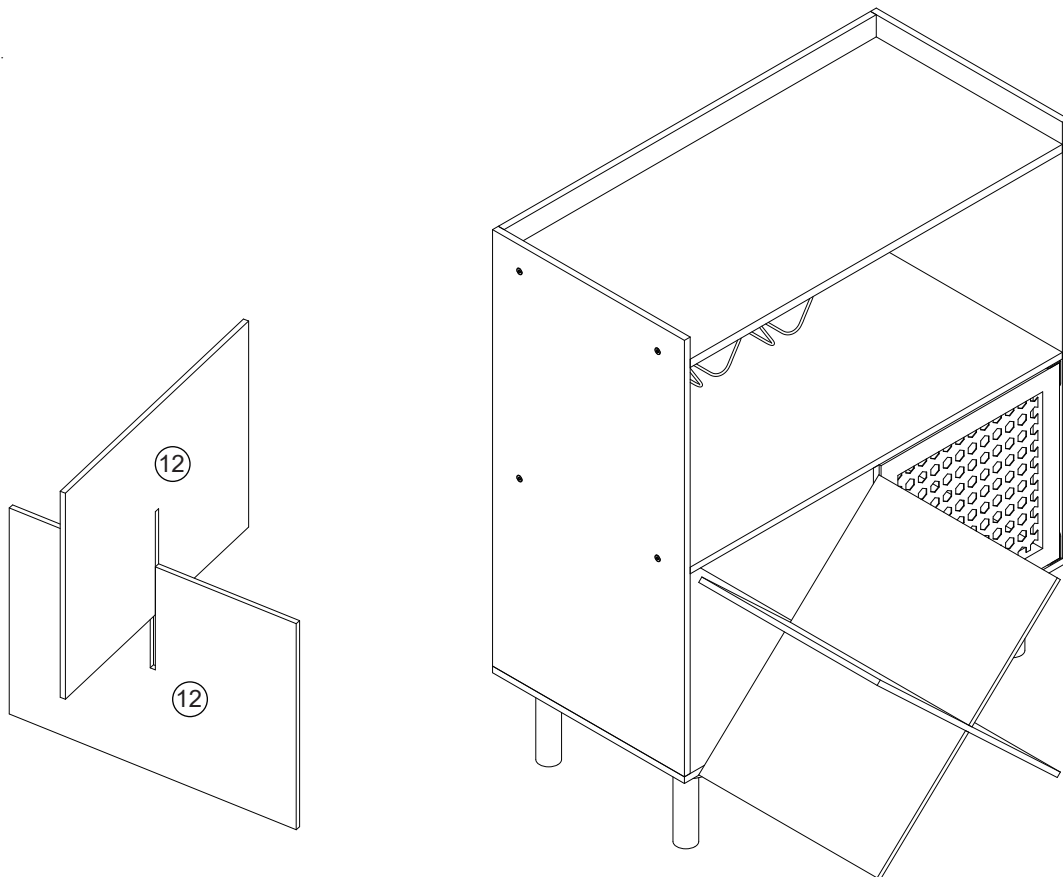
STEP 9 A-  x6 B-  x2 C-  x2 D-  x4



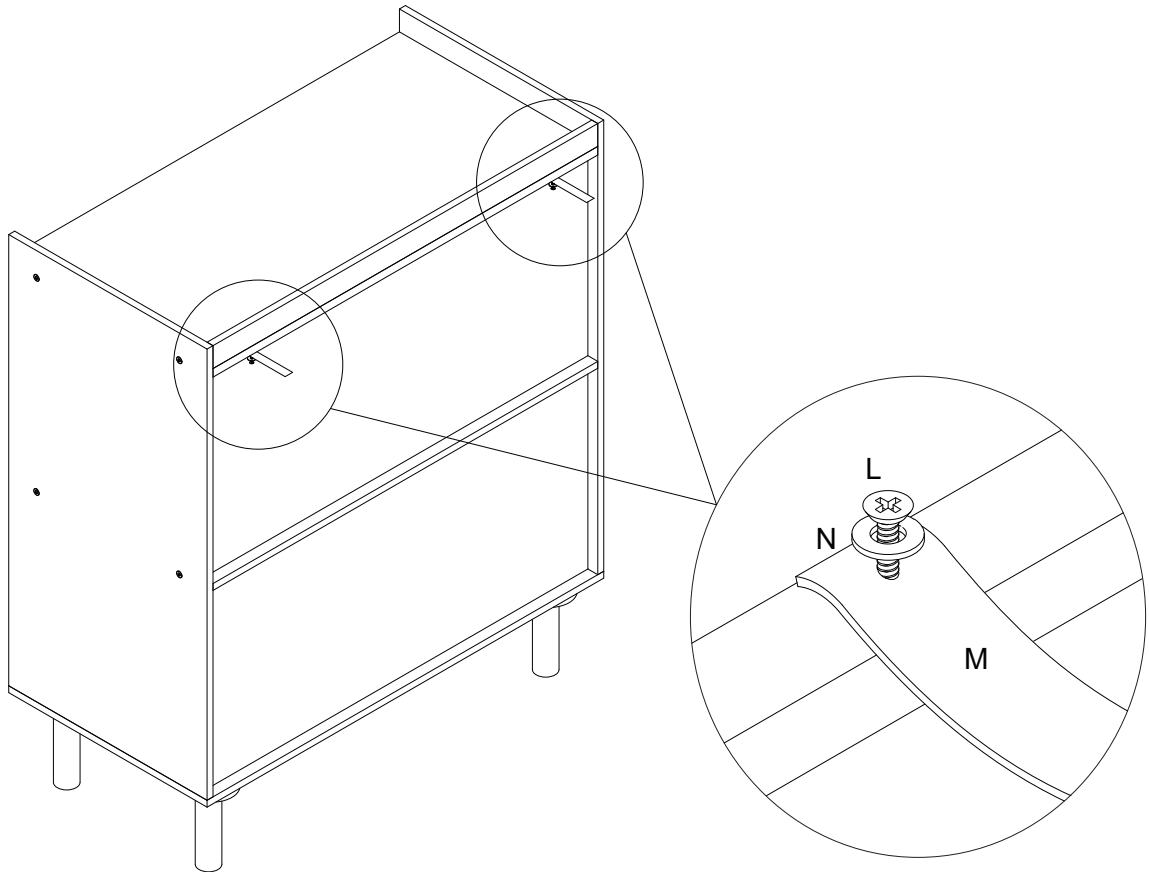
STEP 10



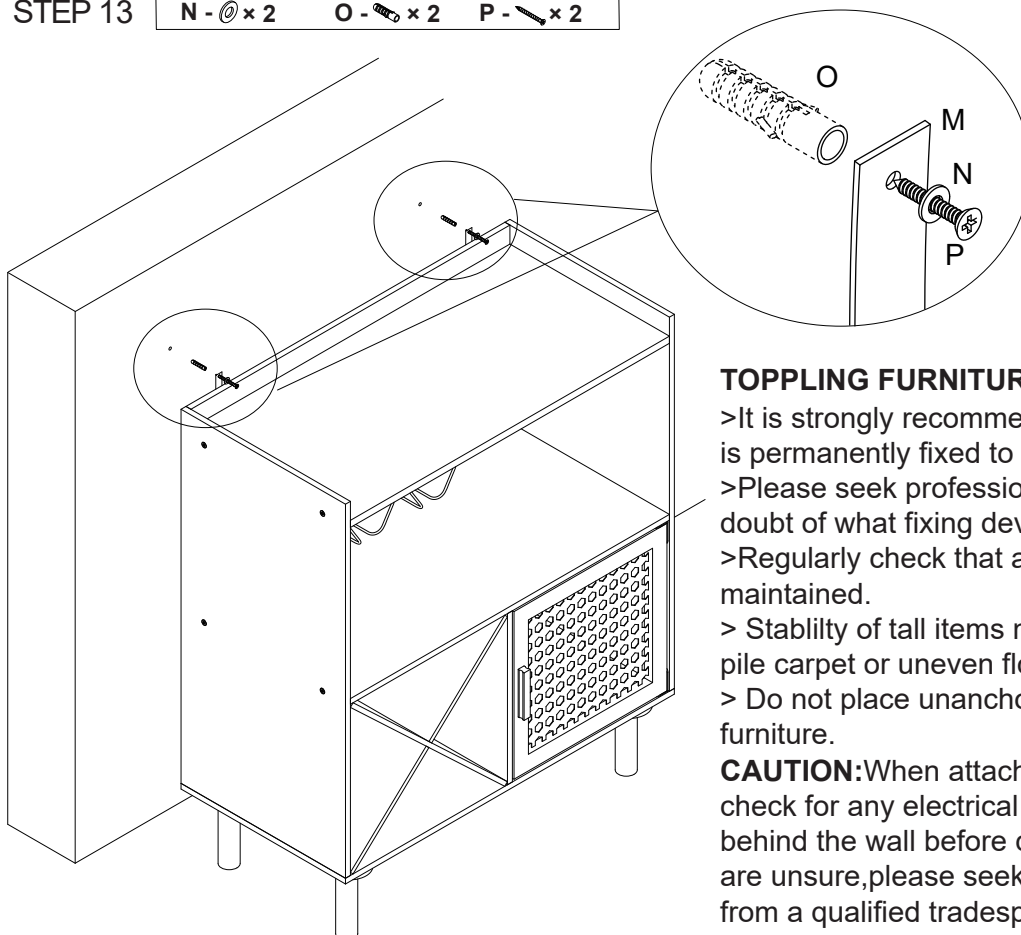
STEP 11



STEP 12 L -  x 2 M -  x 2 N -  x 2



STEP 13 N -  x 2 O -  x 2 P -  x 2



**TOPPLING FURNITURE WARNING:**

- >It is strongly recommended that this product is permanently fixed to the wall.
- >Please seek professional advice if you are in doubt of what fixing device to use.
- >Regularly check that anchors are securely maintained.
- >Stability of tall items may be affected by thick pile carpet or uneven floors.
- >Do not place unanchored televisions on furniture.

**CAUTION:**When attaching the anchor fixings, check for any electrical wires or plumbing behind the wall before drilling any holes (if you are unsure, please seek professional advice from a qualified tradesperson).