

# Assembly Instructions


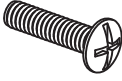
## 43099511 GARMENT RACK WITH SHELF

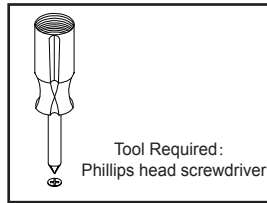
### CARE INSTRUCTIONS:


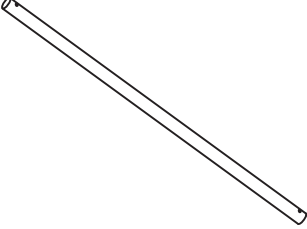

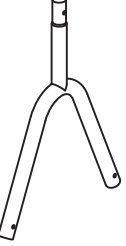
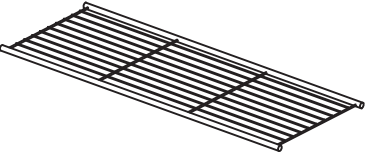
WIPE CLEAN WITH A SOFT DAMP CLOTH. FOR INDOOR USE ONLY.

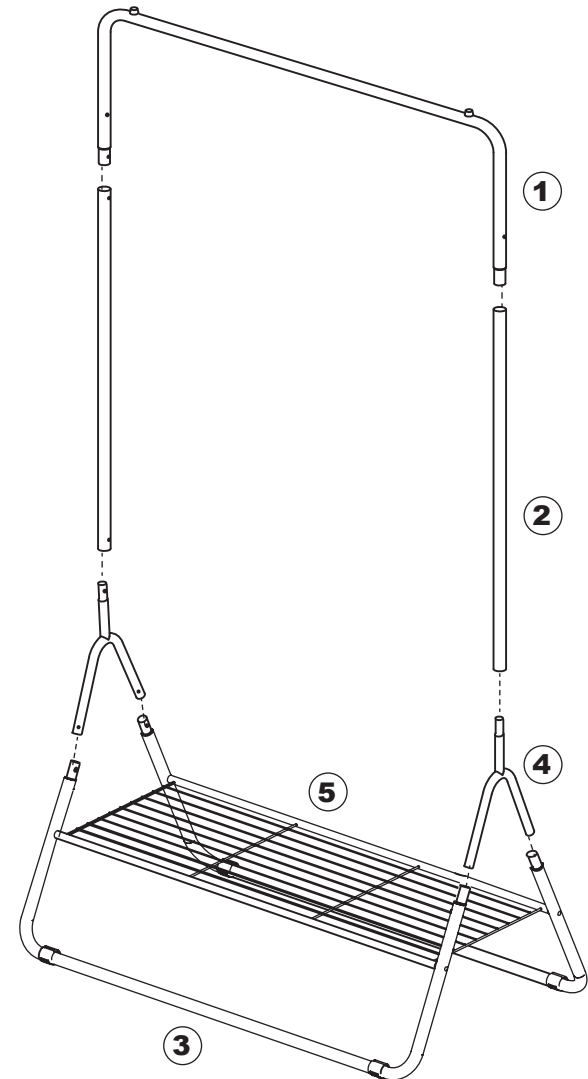
**MAXIMUM SAFE LOAD: 10KG FOR THE TOP RAIL, 8KG FOR THE BOTTOM SHELF.**

### Hardware list

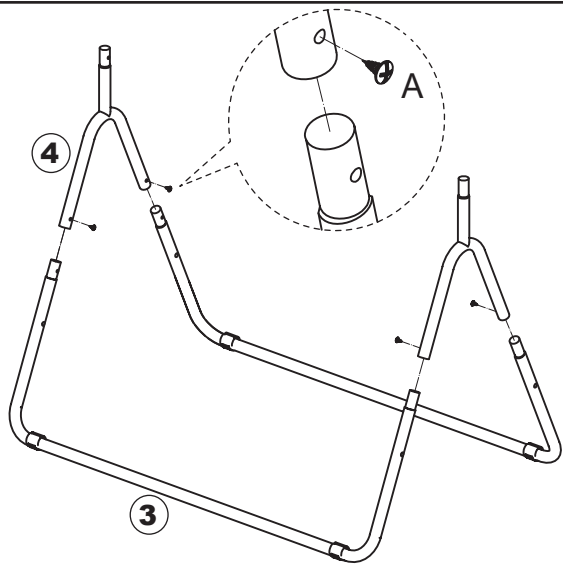
	A	Screw	8 PCS
	B	Screw	4 PCS



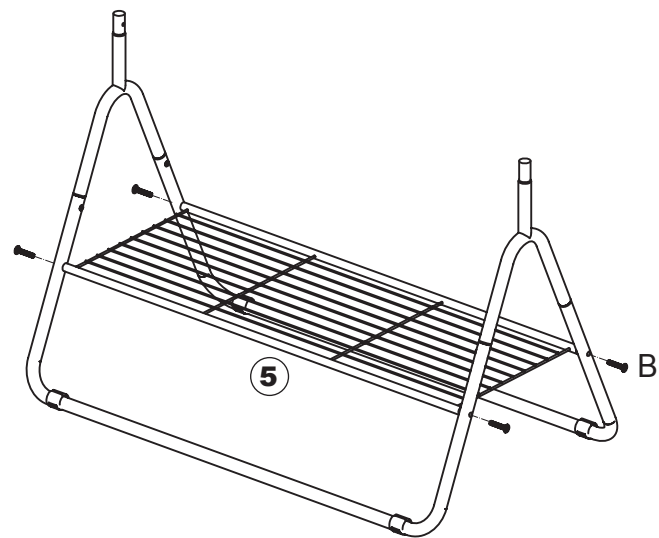
		
①	②	③
1PC	2PCS	2 PCS
		
④	⑤	
2 PCS	1 PC	



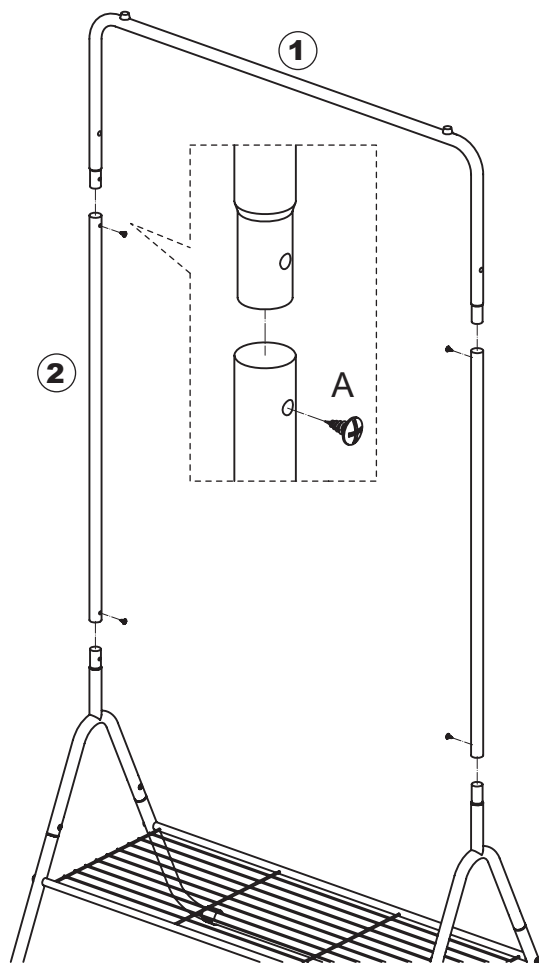
STEP 1



STEP 2



STEP 3



STEP 4

