

Assembly Instructions

43099016 8 DRAWER BAMBOO CHEST












CARE INSTRUCTION: WIPE CLEAN WITH A SOFT DRY OR DAMP CLOTH. KEEP AWAY FROM WATER AND DIRECT SUNLIGHT. FOR INDOOR AND DOMESTIC USE. CHECK AND TIGHTEN ALL PARTS REGULARLY.

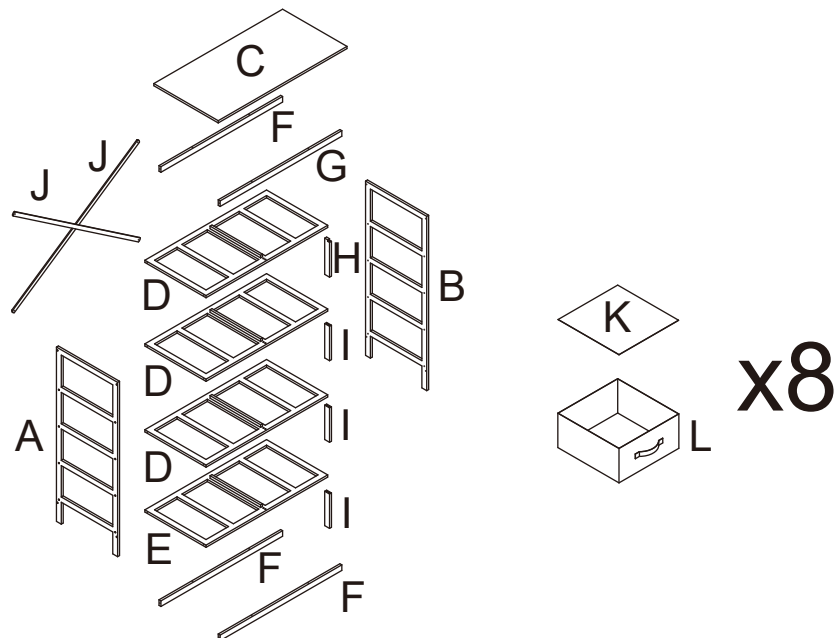
WARNING: DO NOT STAND OR SIT ON THE UNIT. DO NOT LEAN ON THE PRODUCT. DO NOT USE UNTIL ALL SCREWS, BOLTS AND KNOBS ARE FIRMLY SECURED. THIS PRODUCT CONTAINS SMALL PARTS AND SHARP POINTS, KEEP AWAY FROM CHILDREN AND BABIES.

ADULT ASSEMBLY REQUIRED. FAILURE TO FOLLOW THESE WARNINGS COULD RESULT IN SERIOUS INJURY.

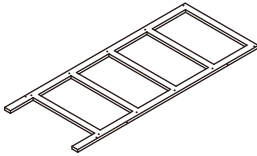
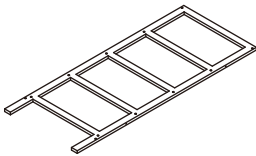
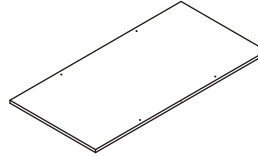
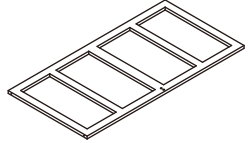
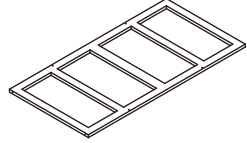
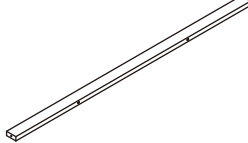
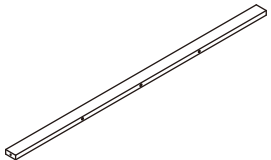
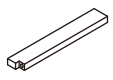
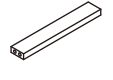
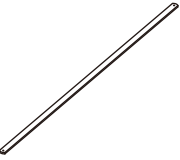
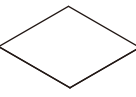
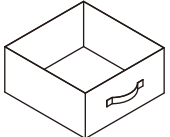
MAXIMUM TOTAL LOADING WEIGHT: 3KGS PER CLOTH BAG AND 6KGS FOR TOP PANEL, 30KGS IN TOTAL.

Hardware list

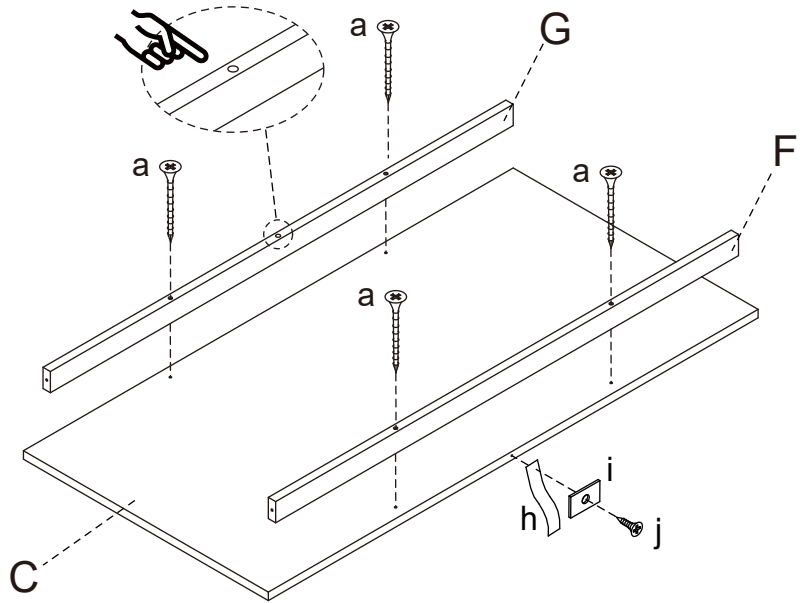
	a	4X40mm	8PCS		g		1PC
	b	5X40mm	24PCS		h		1PC
	c	4X20mm	4PCS		i		2PCS
	d	6X40mm	6PCS		j	3X12mm	1PC
	e	6X30mm	3PCS		k		1PC
	f	4X30mm	1PC	Tool required Philips Head Screw Driver (Not Provided)			







DO NOT TIGHTEN THE SCREWS UNTIL THE PRODUCT IS FULLY ASSEMBLED.

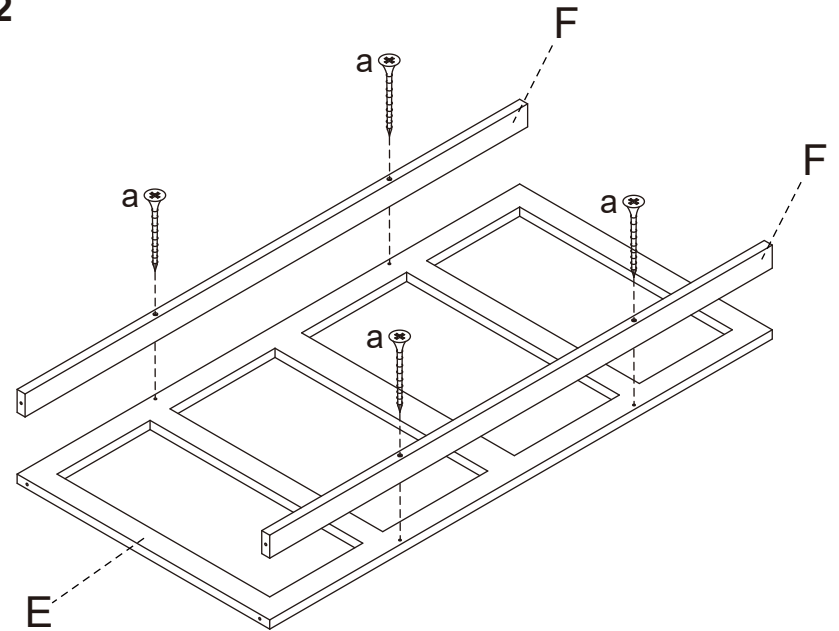
	A	1 PC		B	1 PC		C	1 PC
	D	3 PCS		E	1 PC		F	3 PCS
	G	1 PC		H	1 PC		I	3 PCS
	J	2 PCS		K	8 PCS		L	8 PCS


STEP 1



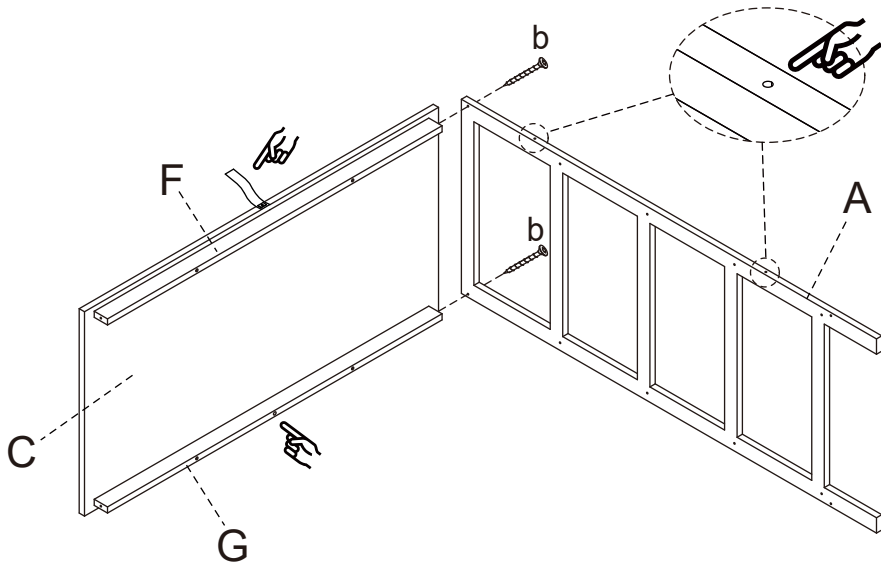
 a X 4  h X 1  i X 1  j X 1

STEP 2



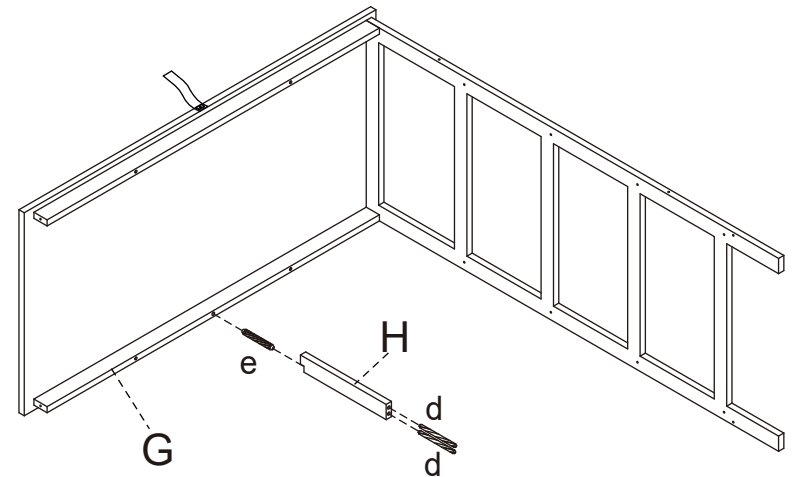
 a X 4


STEP 3



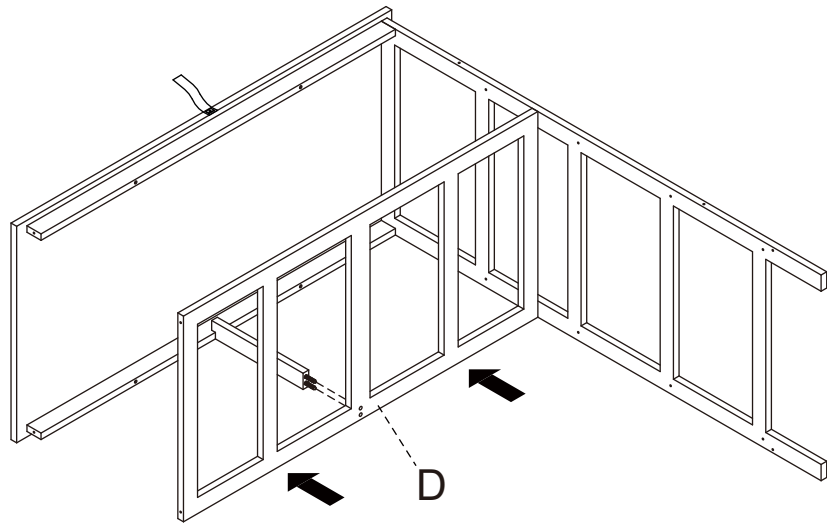
 b X 2

STEP 4

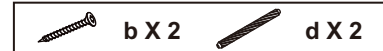
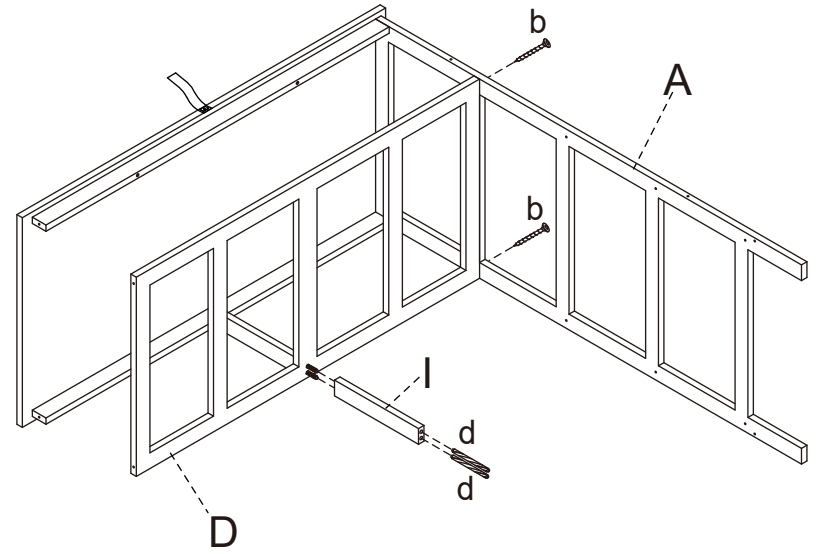


 d X 2  e X 1

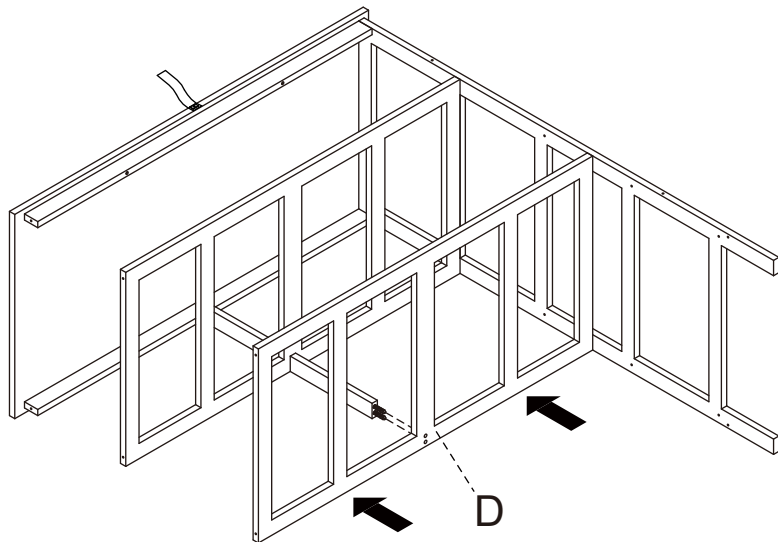
STEP 5



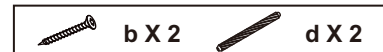
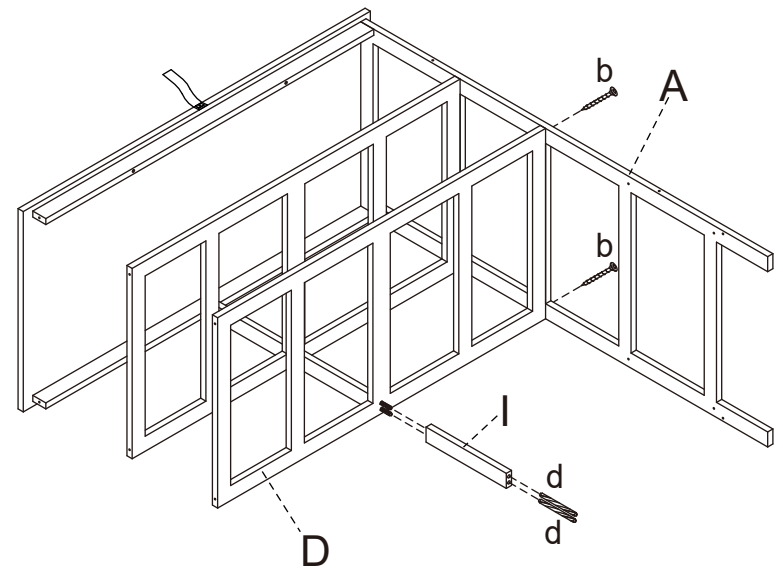
STEP 6



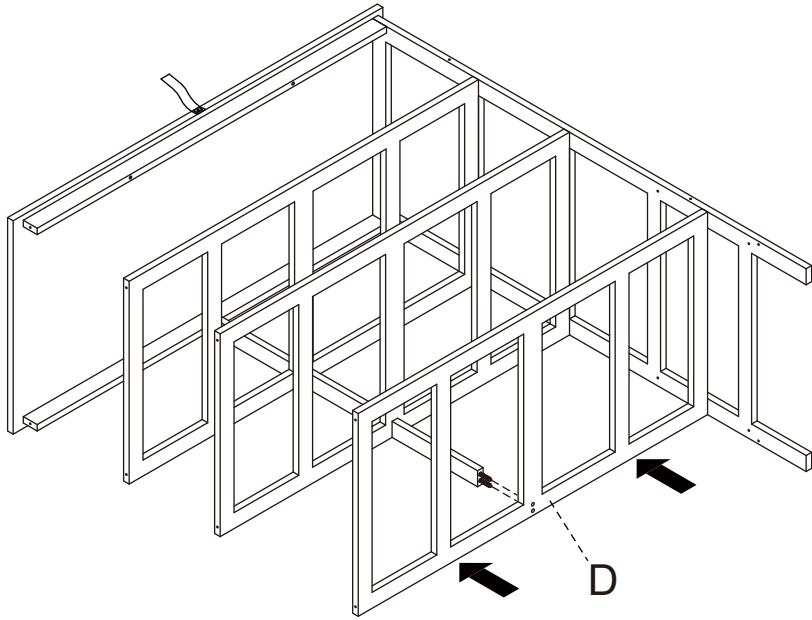
STEP 7



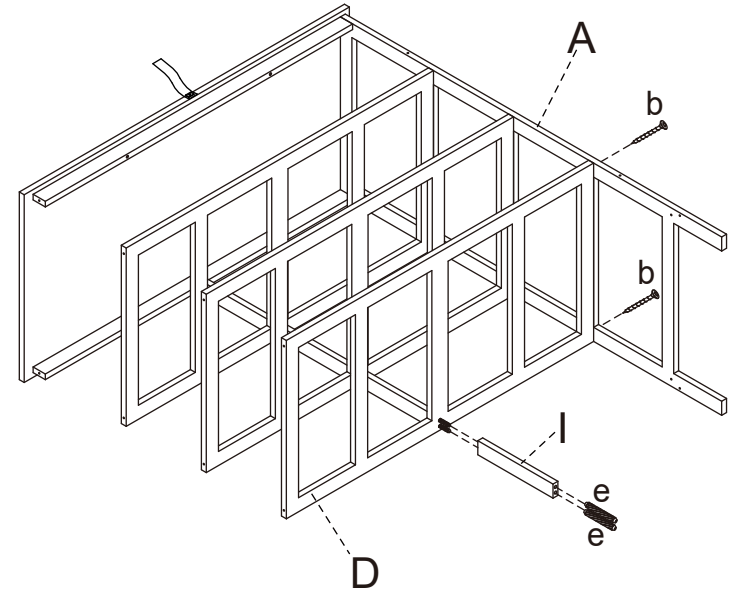
STEP 8



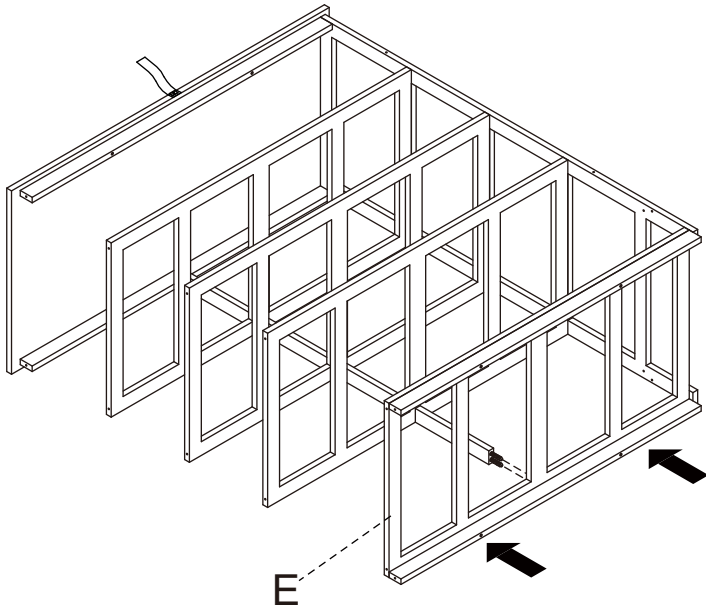
STEP 9



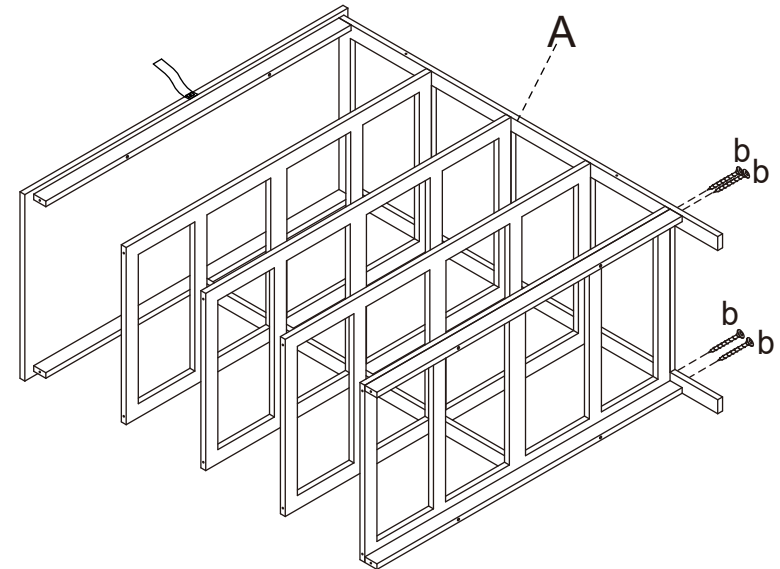
STEP 10



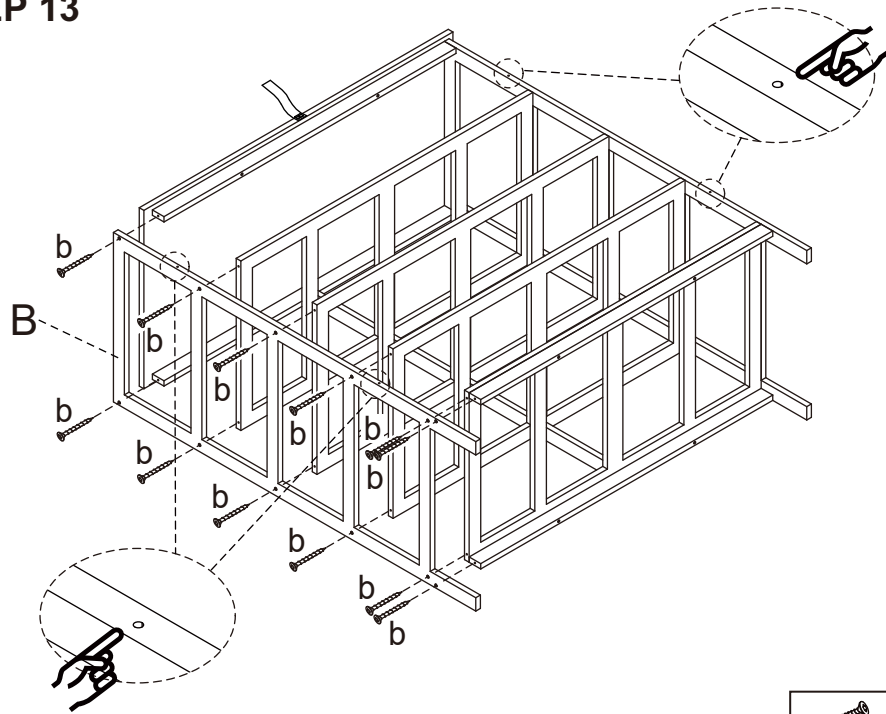
STEP 11



STEP 12

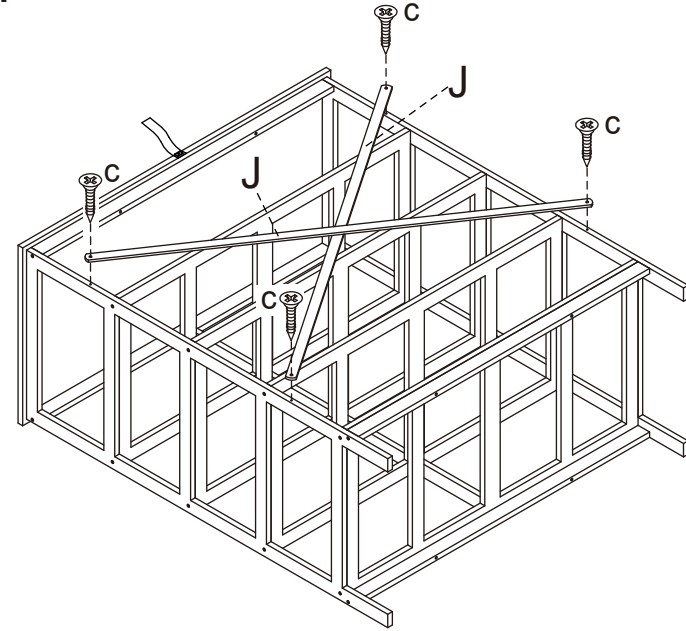


STEP 13



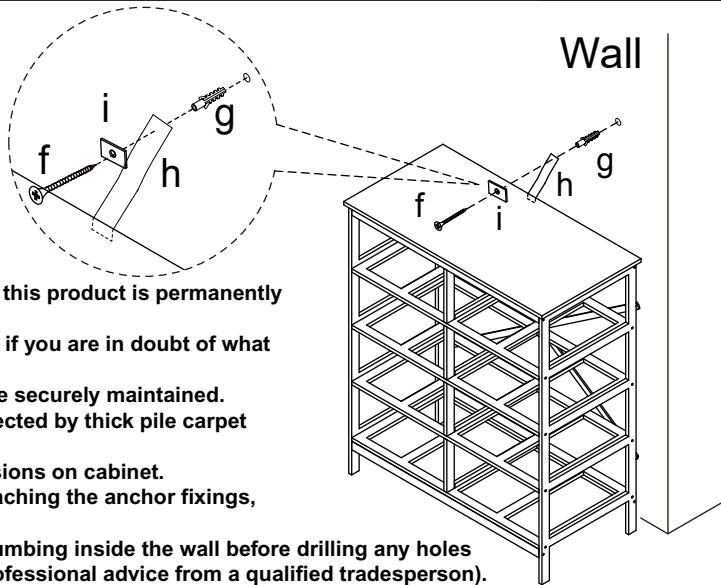
 b X 12

STEP 14



 c X 4

STEP 15



Warning:

- It is strongly recommended that this product is permanently fixed to the wall.
- Please seek professional advice if you are in doubt of what fixing device to use.
- Regularly check that anchors are securely maintained.
- Stability of tall items may be affected by thick pile carpet or uneven floors.
- Do not place unanchored televisions on cabinet.

Caution: for your safety when attaching the anchor fixings, please note the following:

- Check any electrical wires or plumbing inside the wall before drilling any holes (if you are unsure please seek professional advice from a qualified tradesperson).

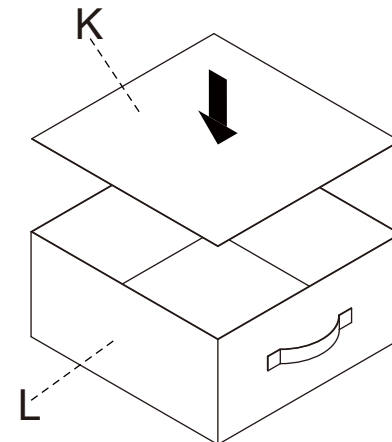


WARNING: PLEASE SECURE YOUR FURNITURE WITH THE SUPPLIED WALL FIXING. SCAN THE CODE FOR MORE INFORMATION.



 f X 1  g X 1  i X 1

STEP 16



x8

STEP 17

