

Assembly Instructions

43061532 RATTAN HALL TABLE

CARE INSTRUCTIONS:

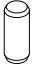


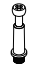










WIPE CLEAN WITH A DRY CLOTH. DO NOT USE ABRASIVE MATERIALS AND SOLVENTS. CHECK AND TIGHTEN ALL PARTS REGULARLY. DO NOT PLACE HOT ITEMS SUCH AS COFFEE CUPS DIRECTLY ON THE SURFACE. KEEP AWAY FROM WATER AND DIRECT SUNLIGHT. STORE IN A DRY PLACE. FOR INDOOR AND DOMESTIC USE.

WARNING!

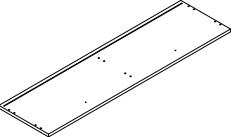


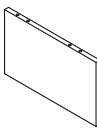
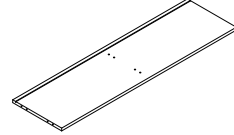
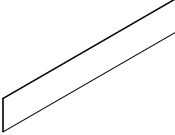
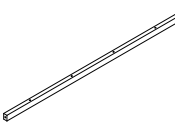
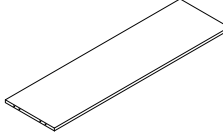
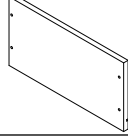
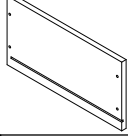
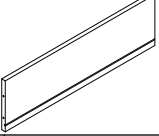
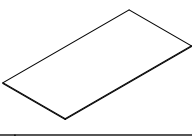
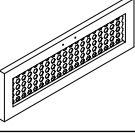
DO NOT STAND OR SIT ON THIS ITEM. DO NOT USE UNTIL ALL SCREWS ARE FIRMLY SECURED. USE ONLY ON A FLAT SURFACE. ADULT ASSEMBLY REQUIRED.

MAXIMUM SAFE LOAD: 20KGS FOR TOP PANEL, 15KGS FOR BOTTOM, 5KGS FOR EACH DRAWER.

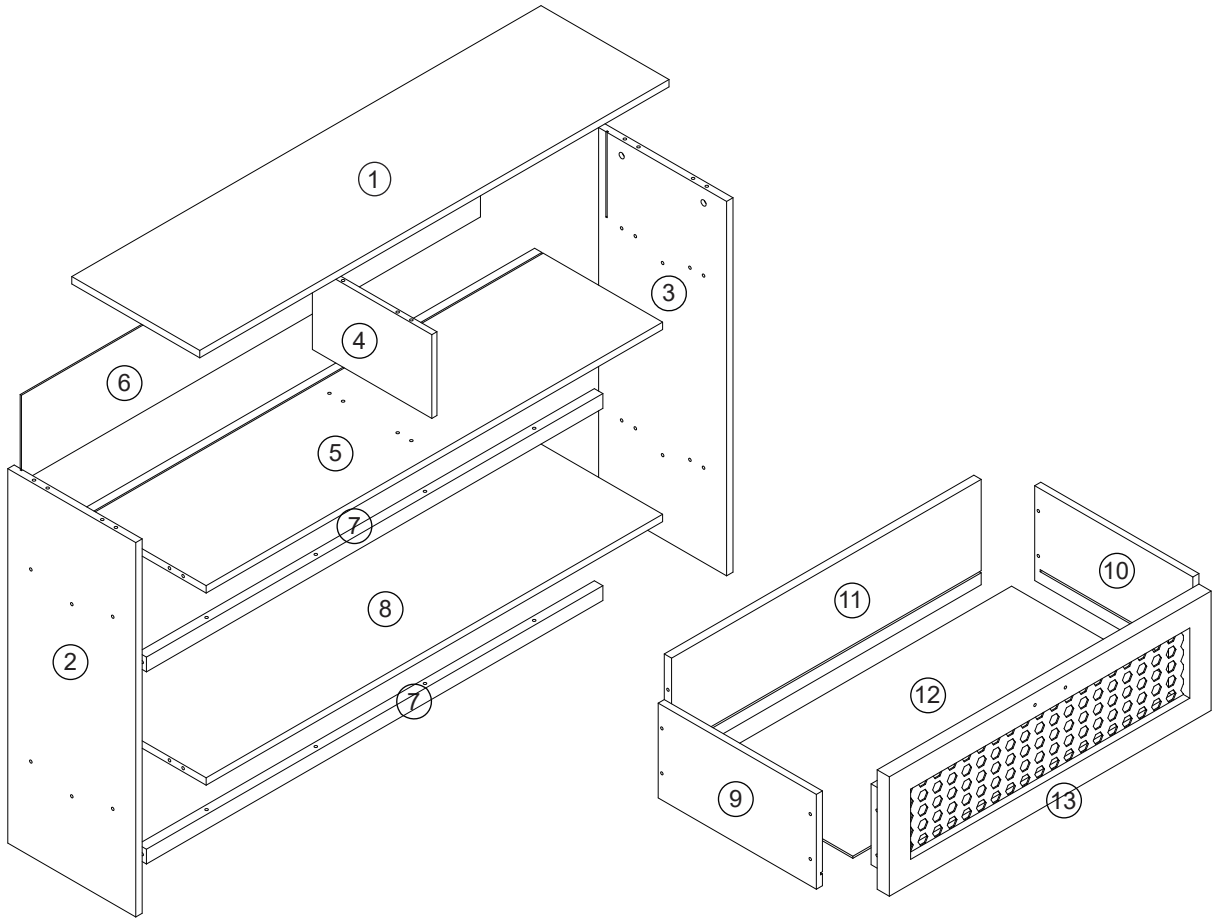
1 Hardware List



	A	6x30mm	16pcs		B	7x50mm	12pcs		C	4x40mm	9pcs
	D	6x35mm	8pcs		E	12x10mm	8pcs		F		2pcs
	G	4x30mm	16pcs		H	4x35mm	4pcs		I	100x20 x15mm	2pcs
	J	3x12mm	3pcs		K		1pc		L		2pcs
	M		1pc		N		1pc				

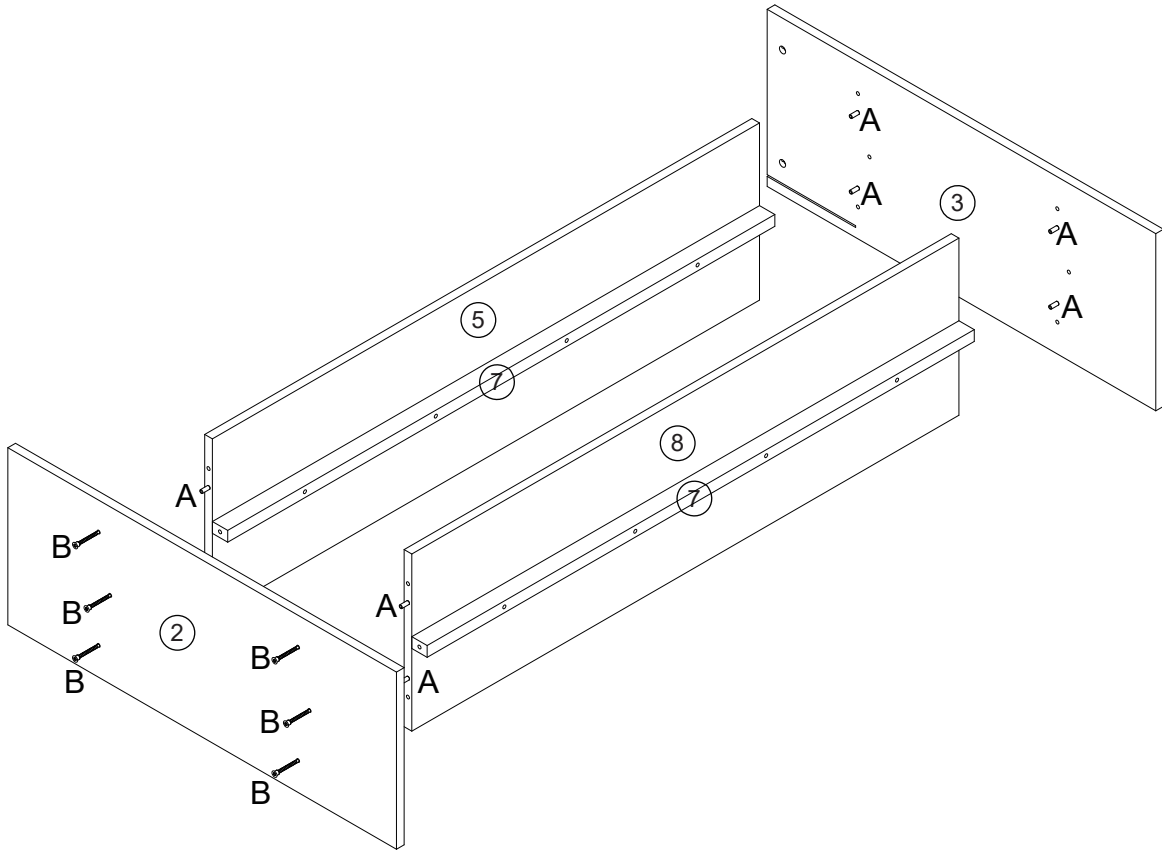
2 Parts List

	①	1pc		②	1pc		③	1pc		④	1pc
	⑤	1pc		⑥	1pc		⑦	2pcs		⑧	1pc
	⑨	2pcs		⑩	2pcs		⑪	2pcs		⑫	2pcs
	⑬	2pcs									

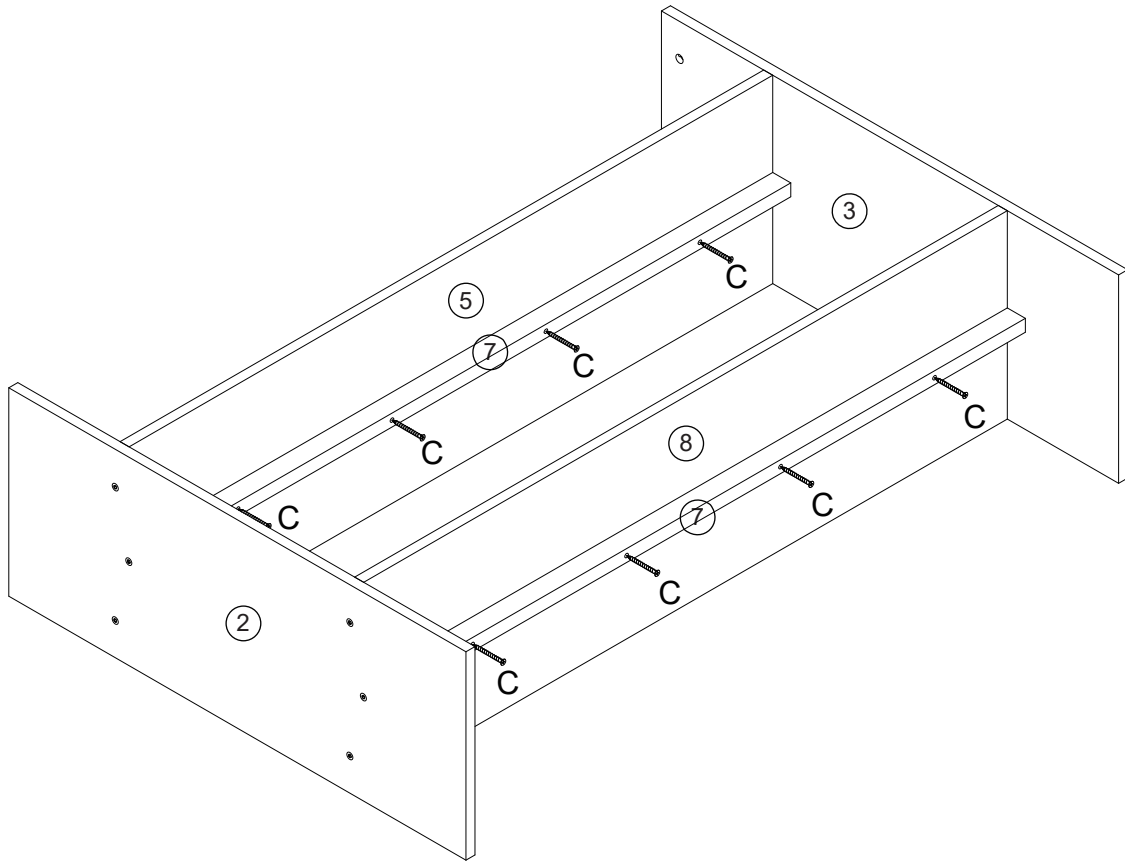
3



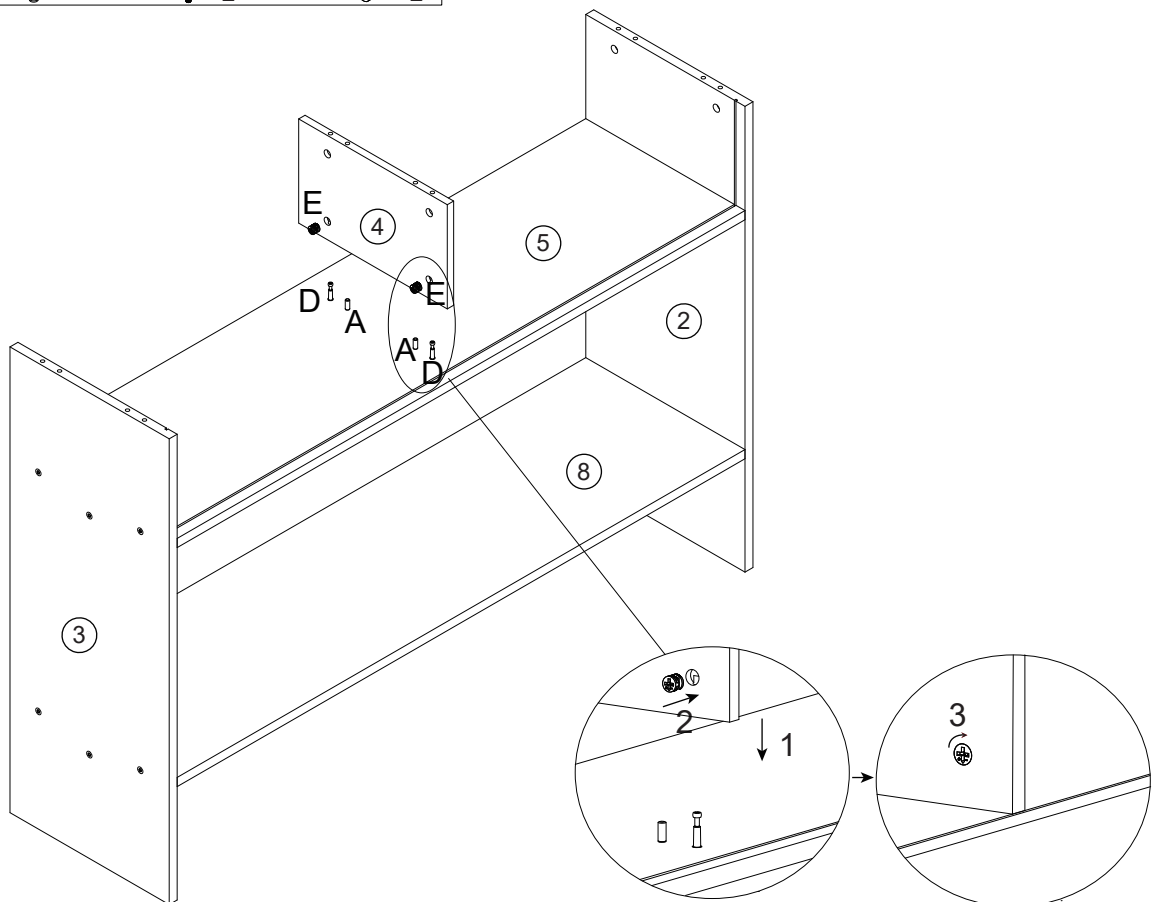
STEP 1 A -  x 8 B -  x 12



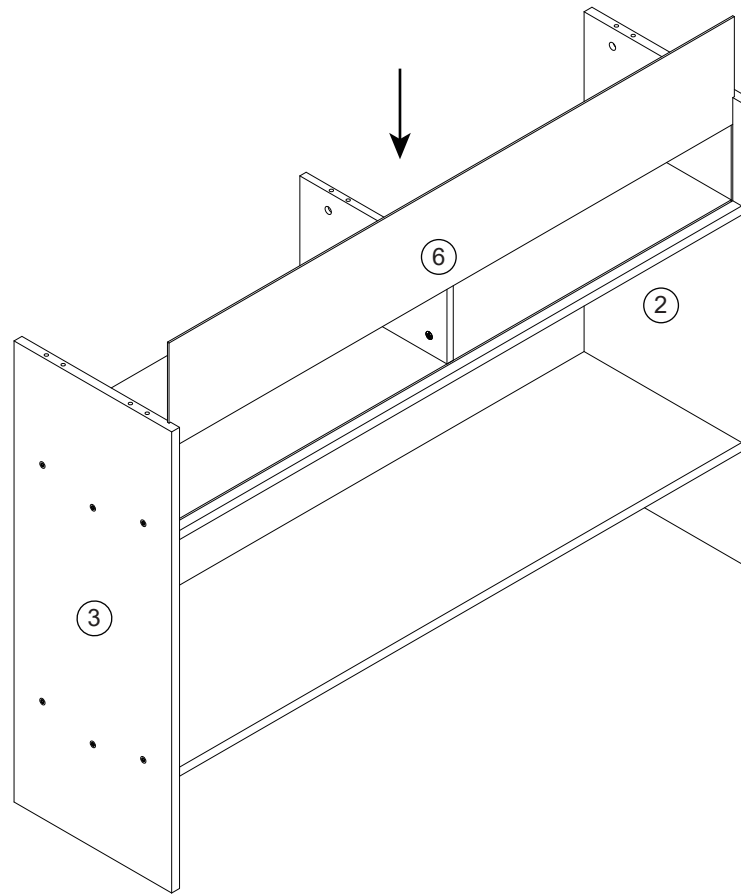
STEP 2 C -  x 8





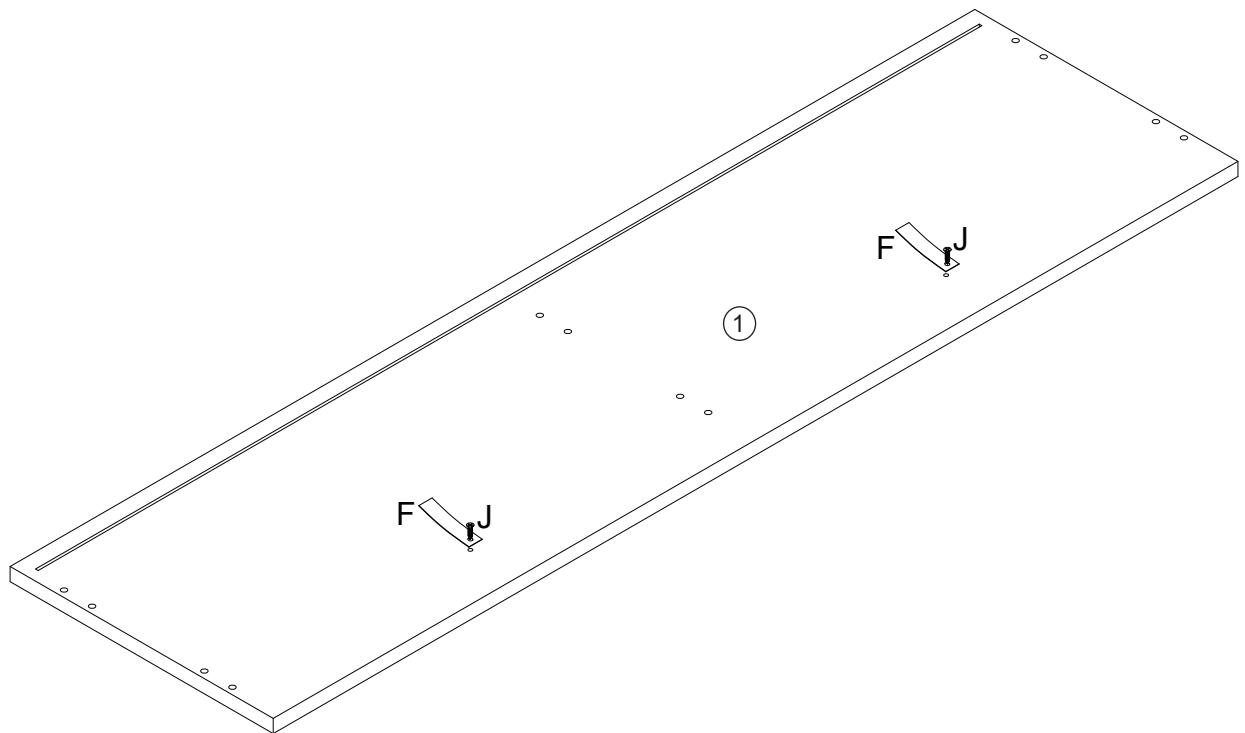
STEP 3 A -  x 2 D -  x 2 E -  x 2




STEP 4




STEP 5 **F** -  x 2 **J** -  x 2

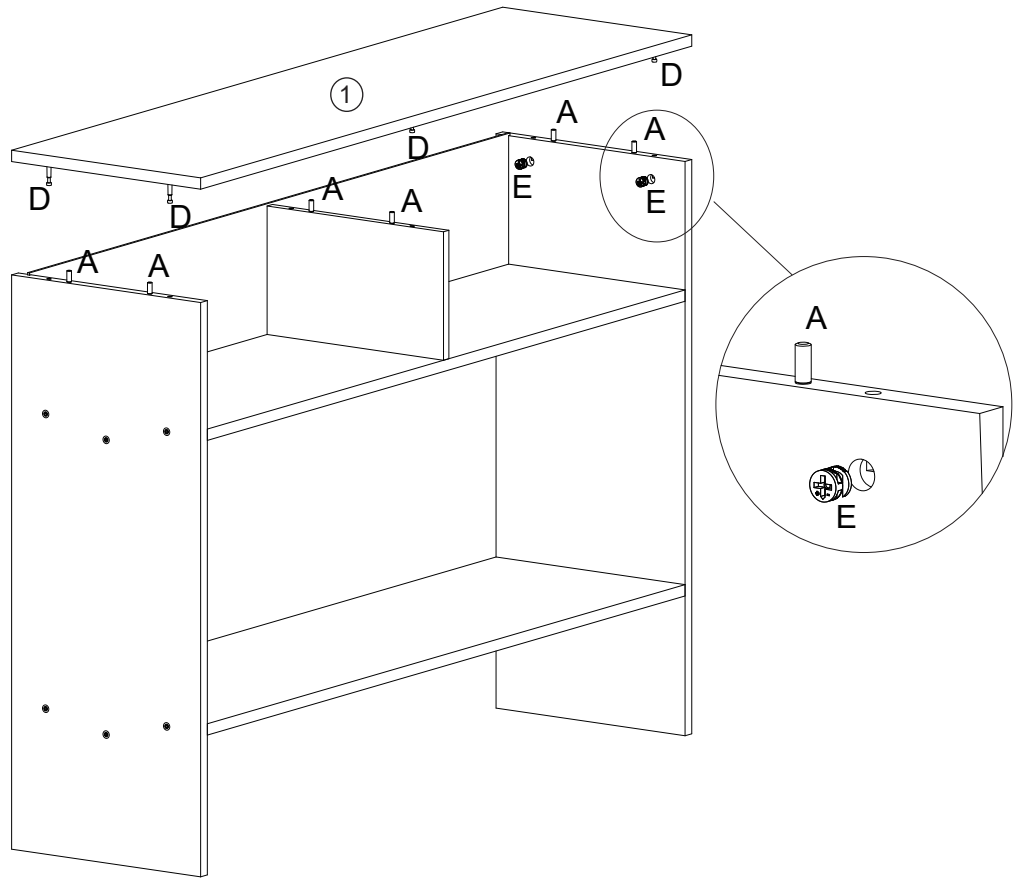


STEP 6


A -  × 6

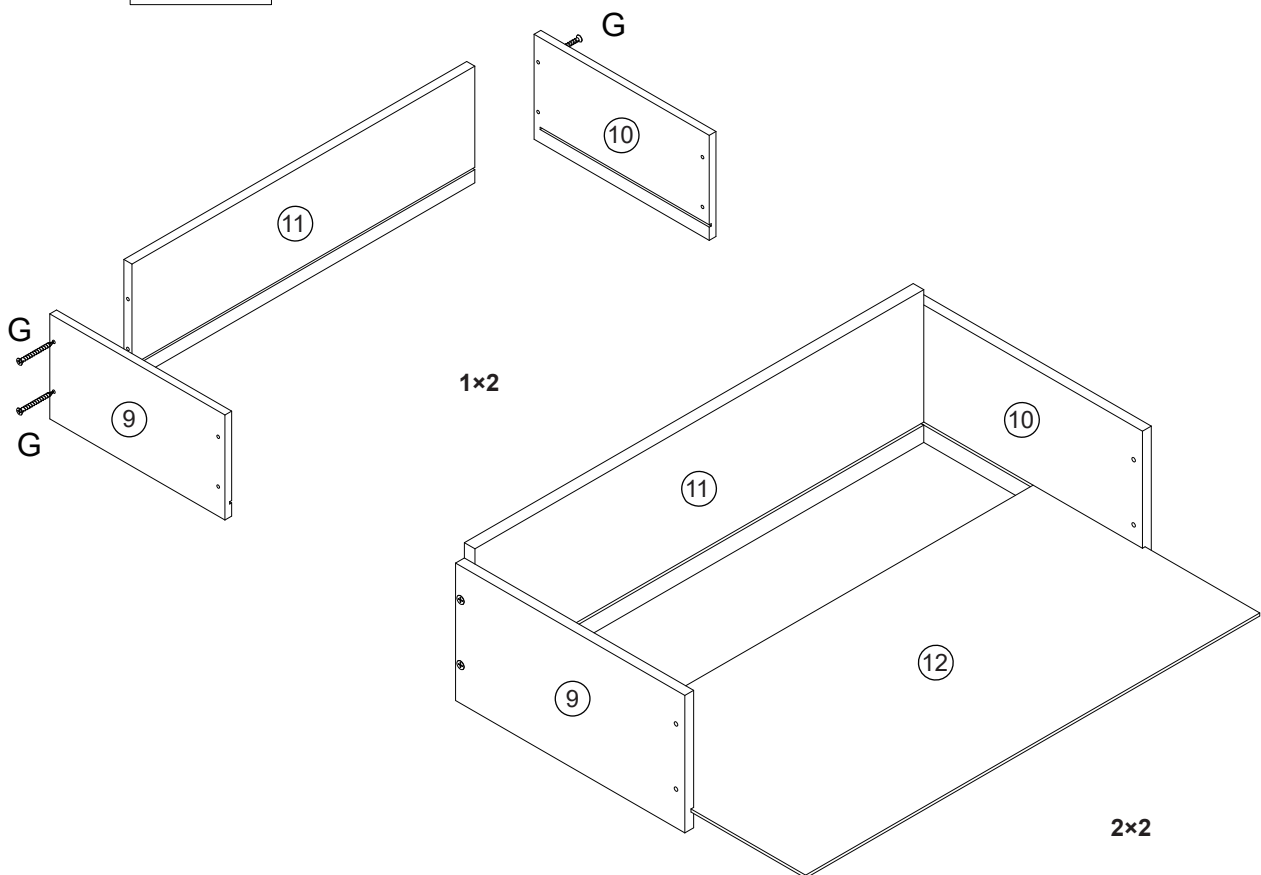
D -  × 6

E -  × 6




STEP 7

G -  × 8

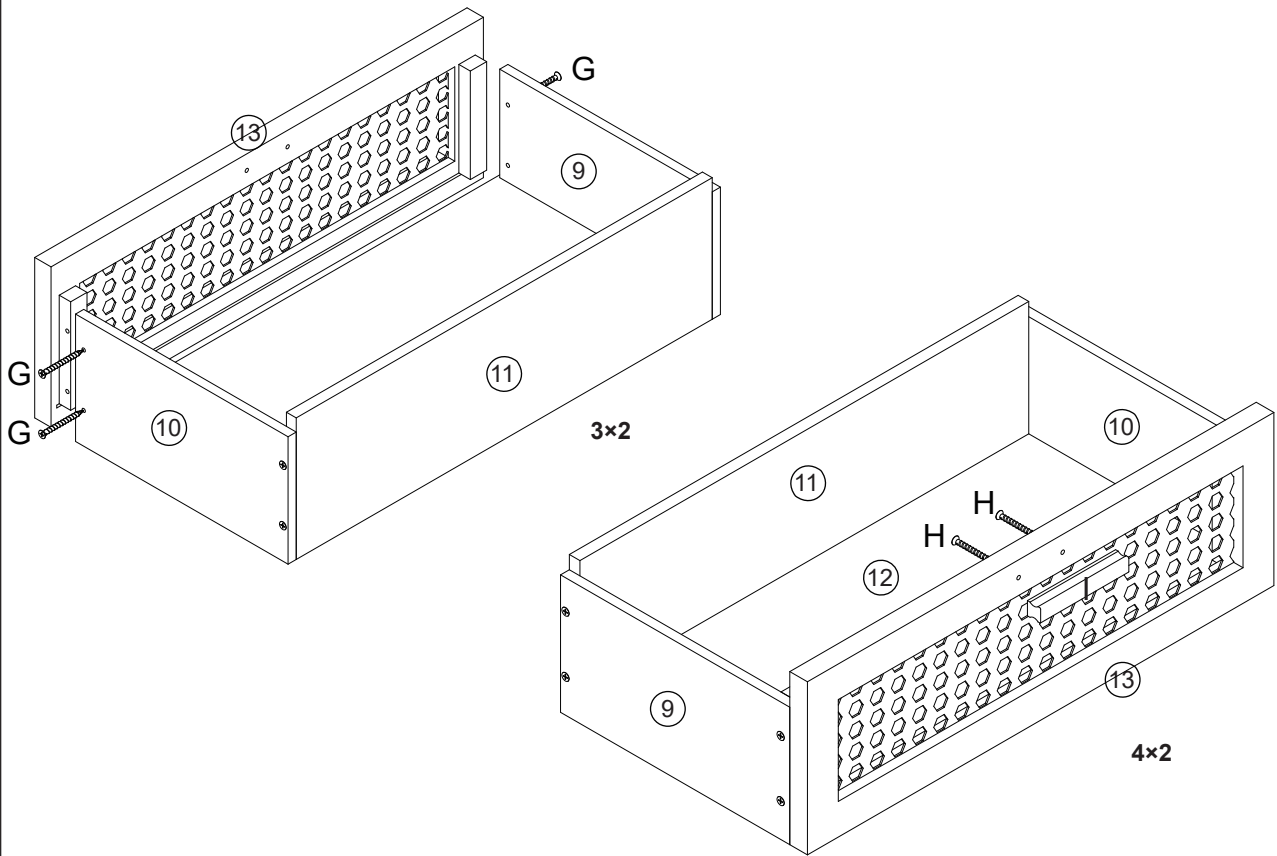


STEP 8

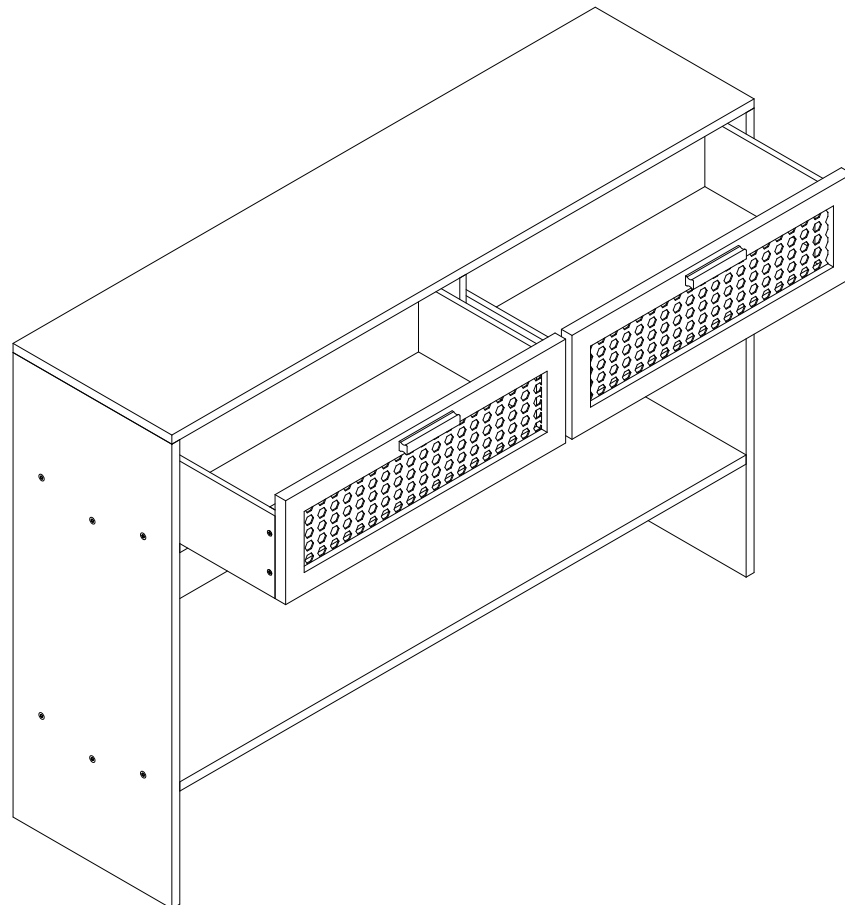
G -  x 8

H -  x 4

I -  x 2





STEP 9

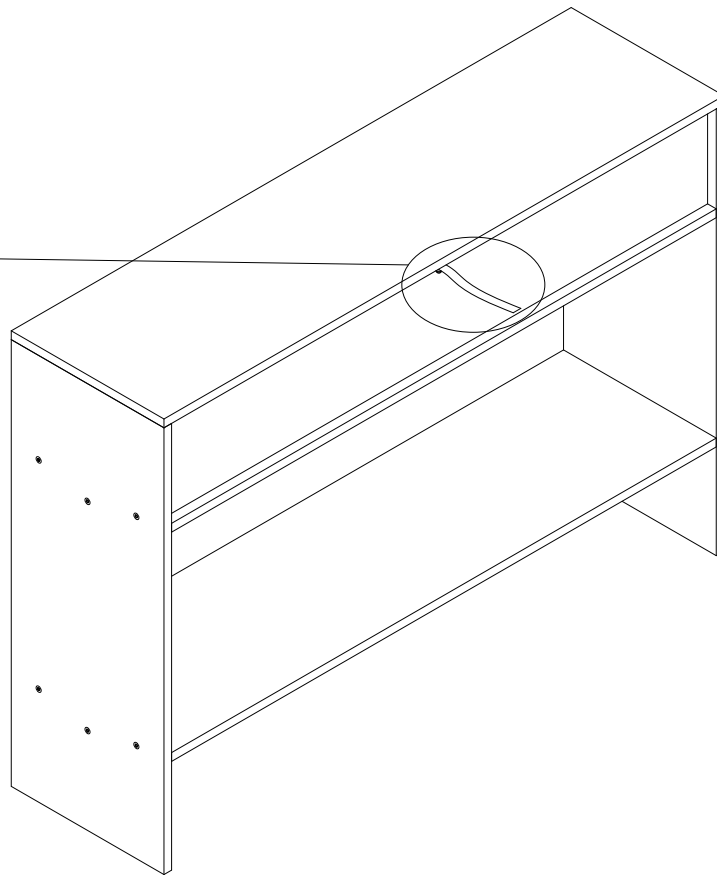
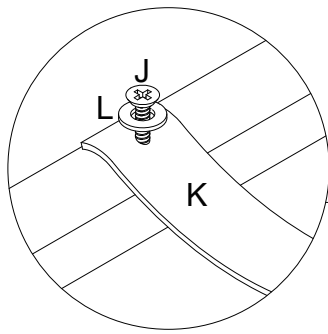


STEP 10


J -  x 1


K -  x 1


L -  x 1



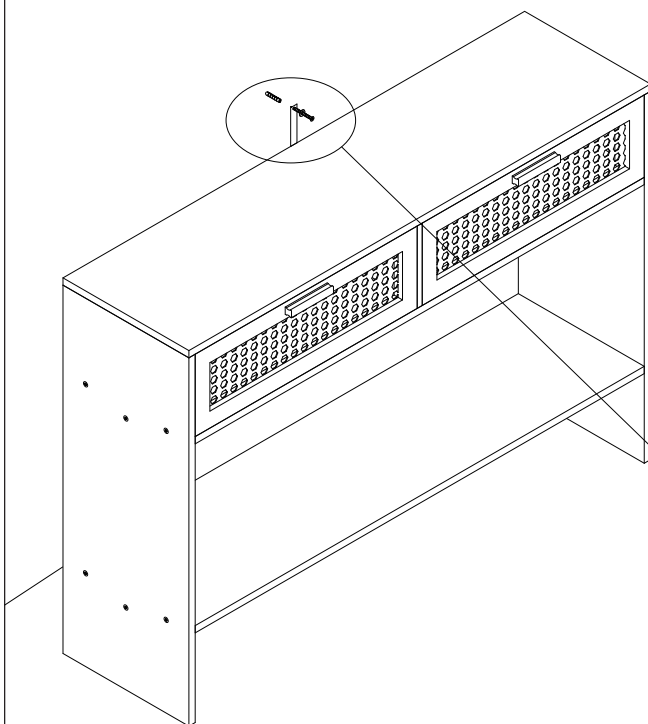
STEP 11

C -  x 1

K -  x 1

L -  x 1

M -  x 1



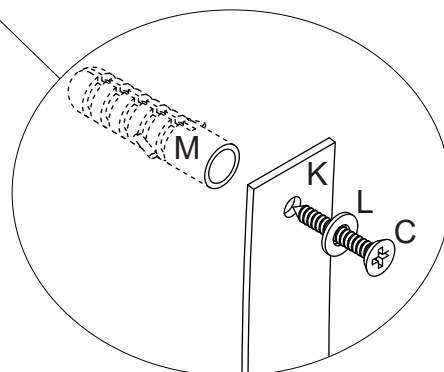
TOPPLING FURNITURE WARNING:

>It is strongly recommended that this product is permanently fixed to the wall.

>Please seek professional advice if you are in doubt of what fixing device to use.

>Regularly check that anchors are securely maintained.

CAUTION: For your safety when attaching the anchor fixings, please note the following: Check any electrical wires or plumbing inside the wall before drilling any holes (if you are unsure please seek professional advice from a qualified tradesperson).



STEP 12

