

# Assembly Instructions

## 43054879 RATTAN ENTERTAINMENT UNIT

### CARE INSTRUCTIONS:

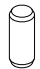
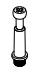




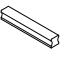



WIPE CLEAN WITH A DAMP OR DRY CLOTH. DO NOT USE ABRASIVE MATERIALS AND SOLVENTS. DO NOT PLACE HOT ITEMS SUCH AS COFFEE CUPS DIRECTLY ON THE SURFACE OF THIS FURNITURE ITEM. KEEP AWAY FROM WATER AND DIRECT SUNLIGHT. STORE IN A DRY PLACE.FOR INDOOR AND DOMESTIC USE ONLY.

### WARNING!

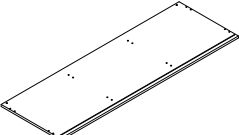
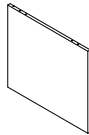
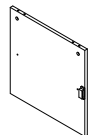
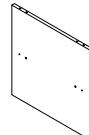
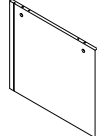
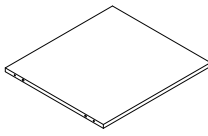
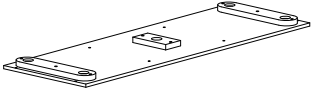
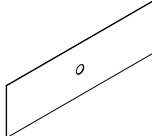
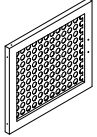
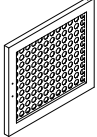

DO NOT STAND OR SIT ON THE UNIT. DO NOT KNOCK OR DRAG THE UNIT. DO NOT USE THIS UNIT UNLESS ALL BOLTS AND SCREWS ARE FIRMLY SECURED.

**MAXIMUM SAFE LOAD: 25KGS FOR TOP PANEL,5KGS FOR EACH SHELF.**

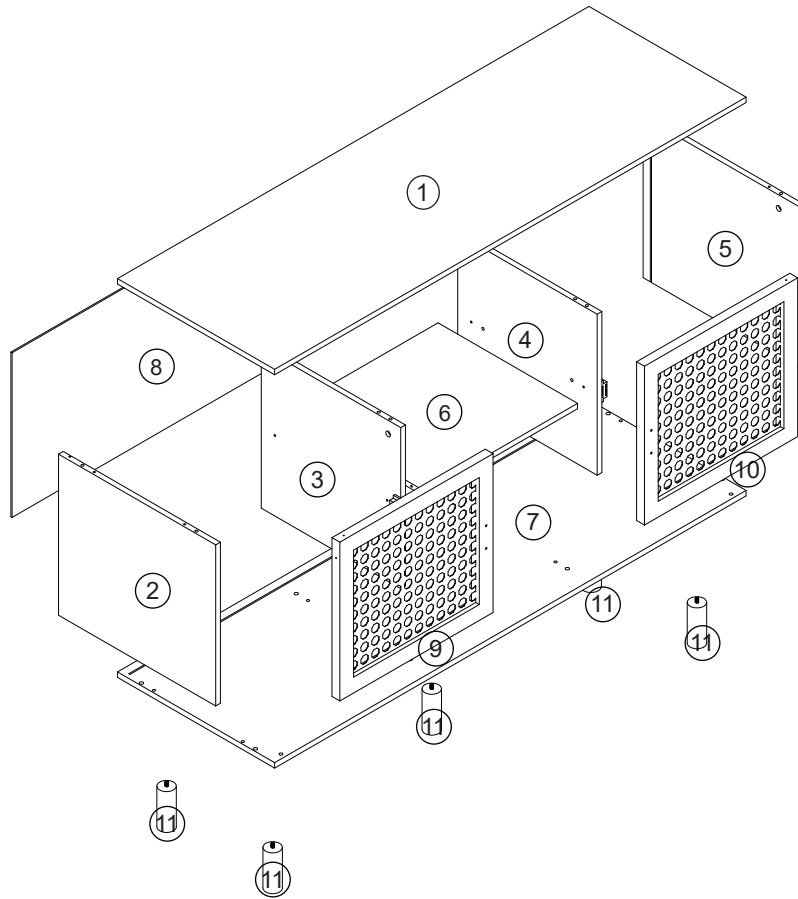
## 1 Hardware List

	A	6x30mm	20pcs		B	6x35mm	8pcs		C	12x10mm	8pcs
	D	3x18mm	8pcs		E		4pcs		F	4x35mm	4pcs
	G	100x20 x15mm	2pcs		H	7x50mm	8pcs		I	4x30mm	4pcs
	J		1pc								

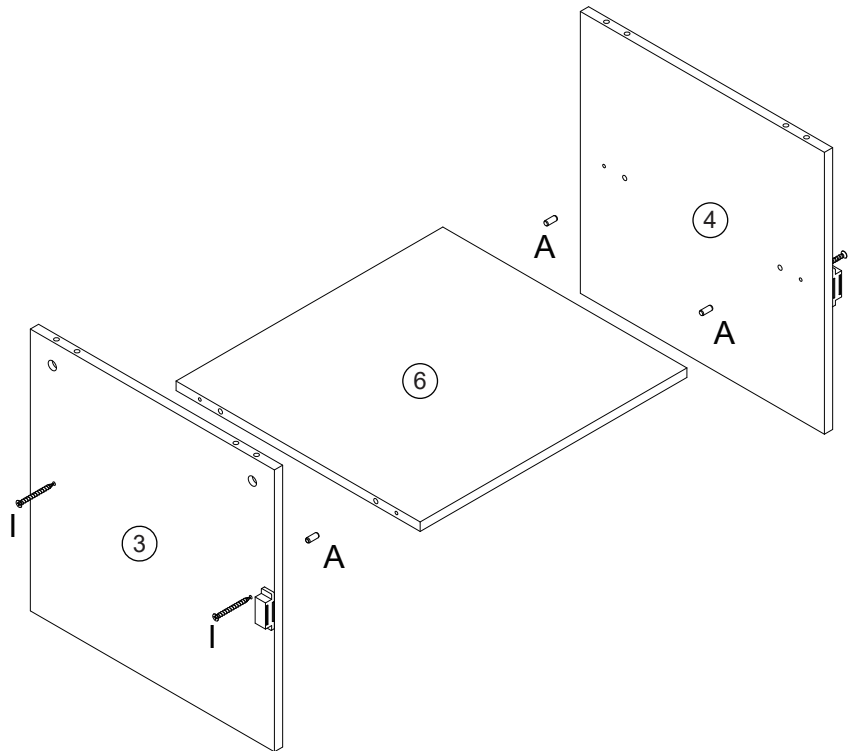
## 2 Parts List

	①	1pc		②	1pc		③	1pc		④	1pc
	⑤	1pc		⑥	1pc		⑦	1pc		⑧	1pc
	⑨	1pc		⑩	1pc		⑪	5pcs			


3




STEP 1 A -  $\cup$  x 4 I -  $\sphericalangle$  x 4

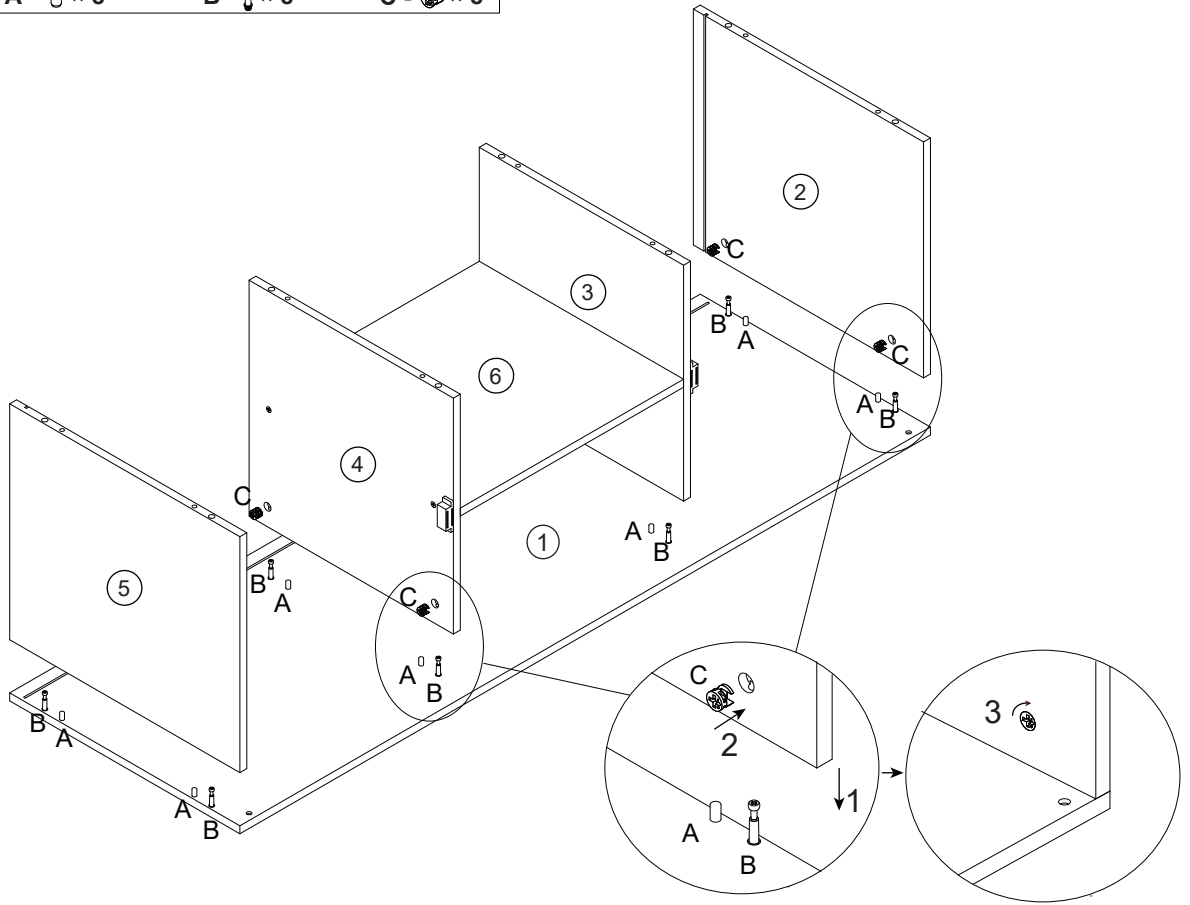


STEP 2

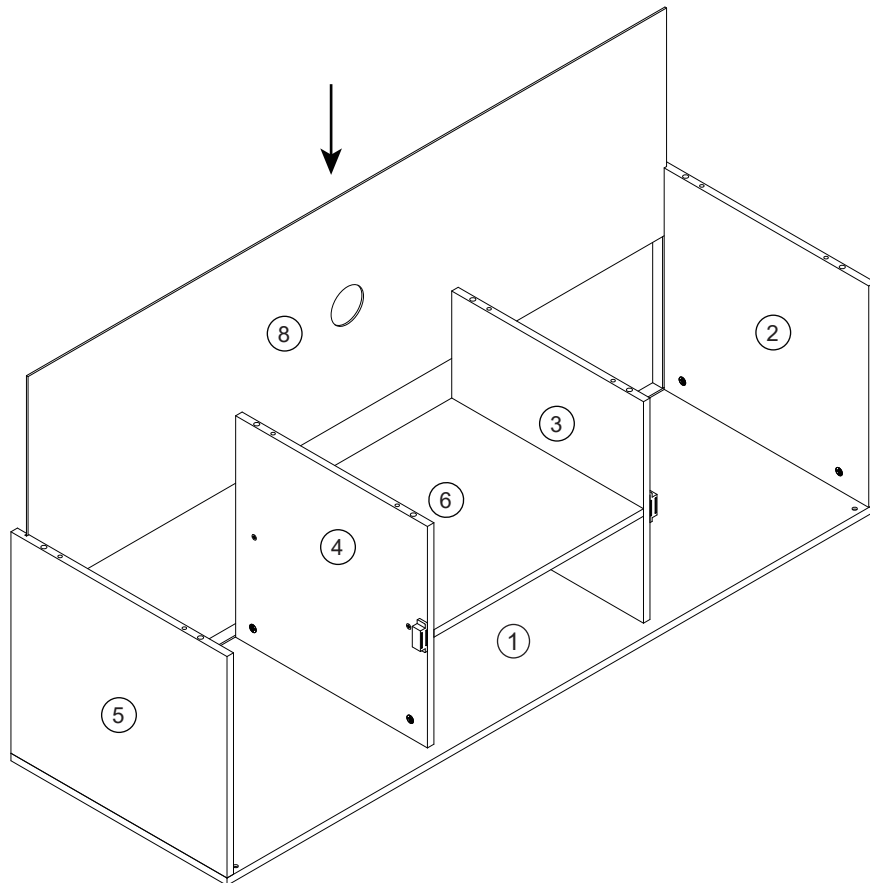
A -  x 8

B -  x 8

C -  x 8




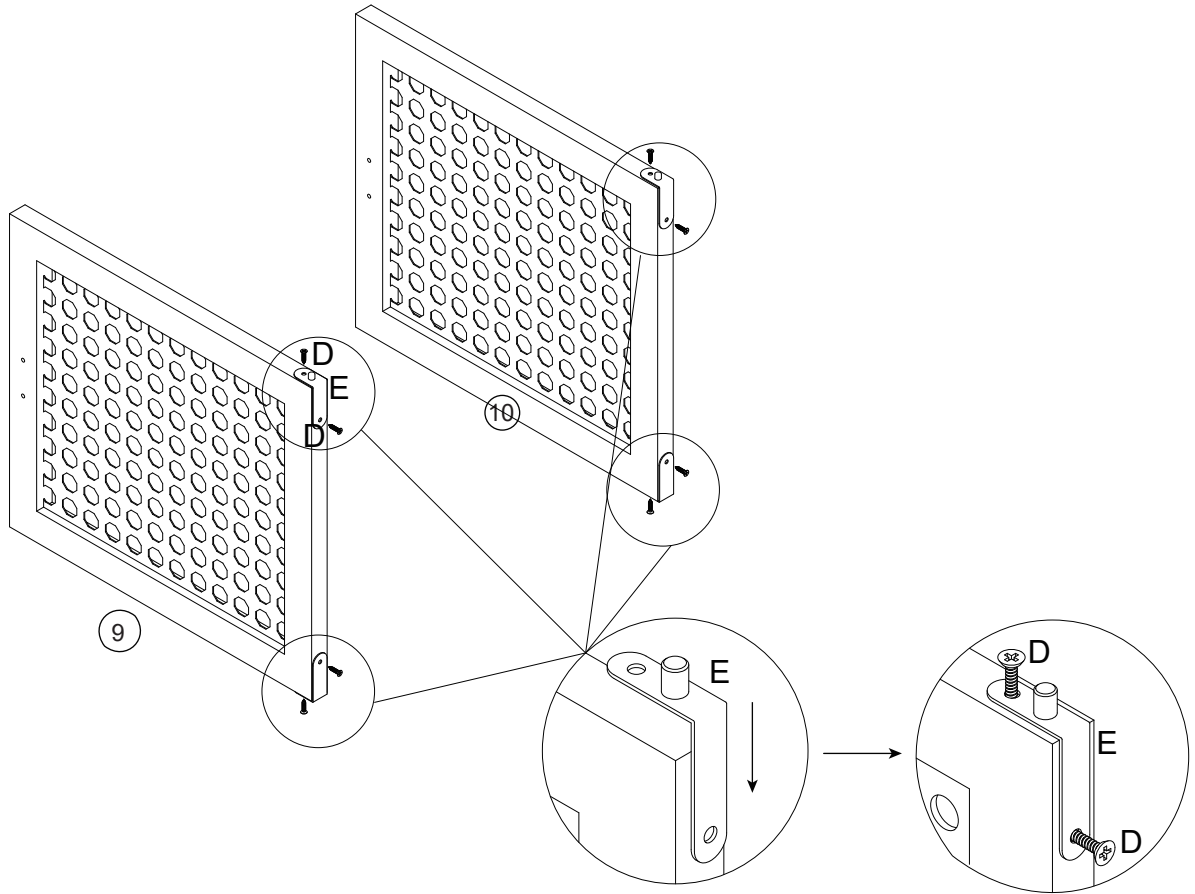
STEP 3



STEP 4

D -  × 8

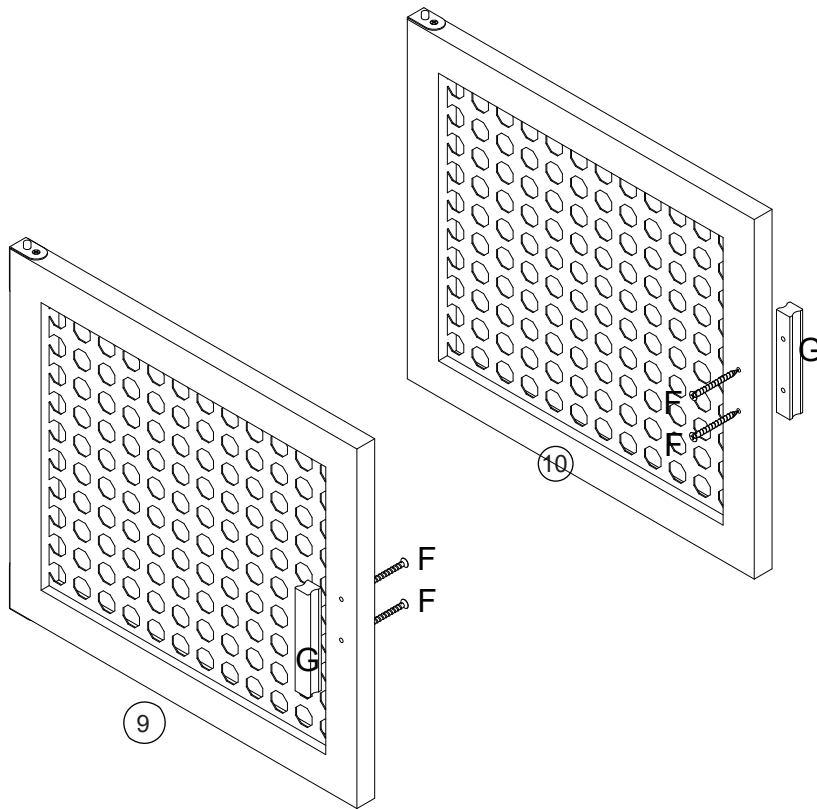
E -  × 4




STEP 5

F -  × 4

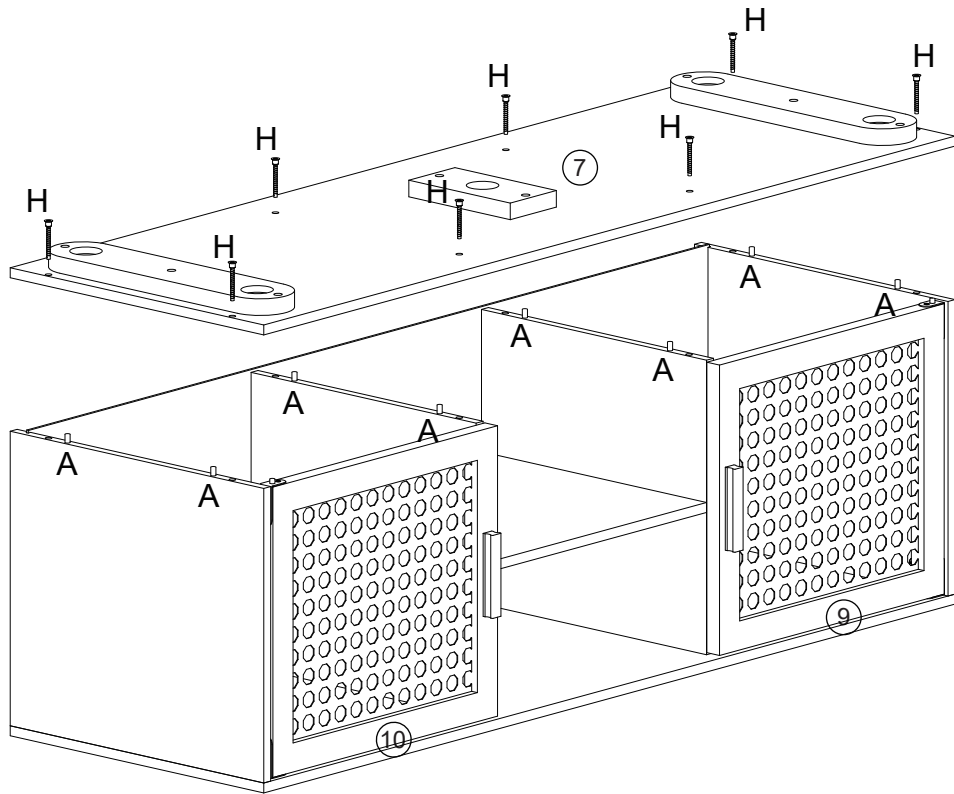
G -  × 2



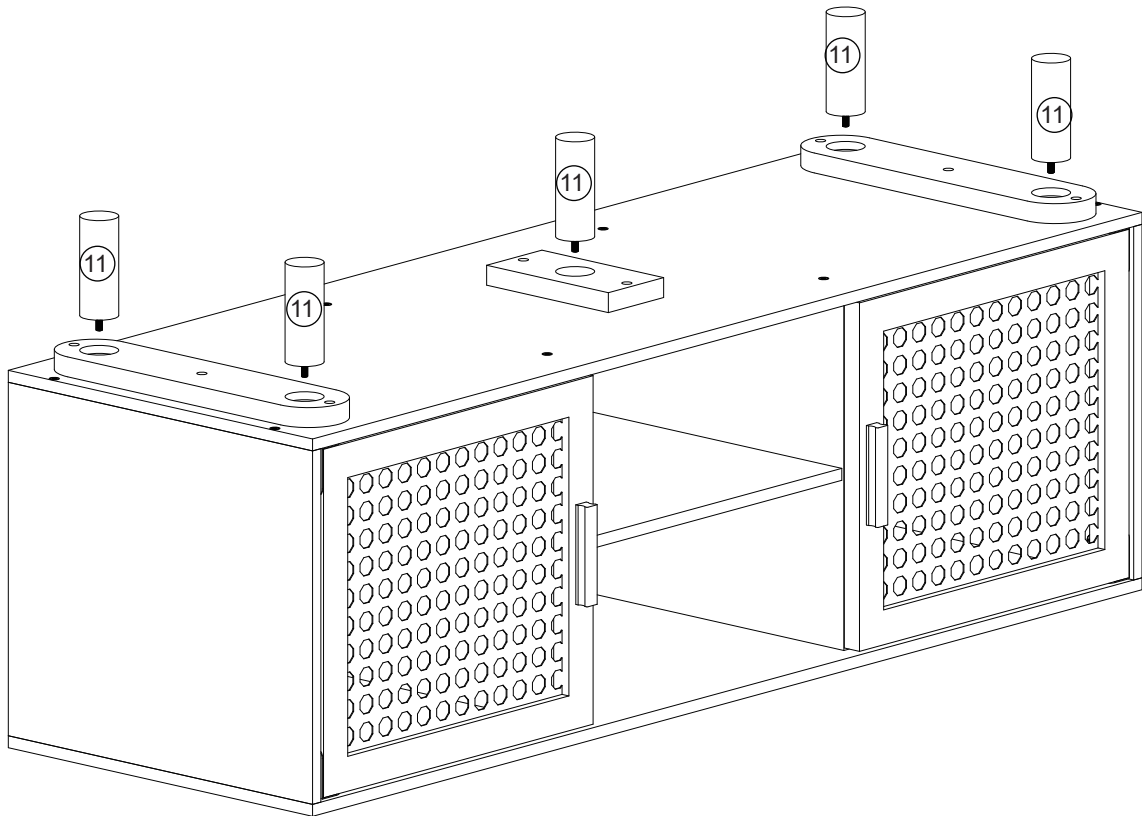
STEP 6

A -  x 8

H -  x 8



STEP 7



STEP 8

