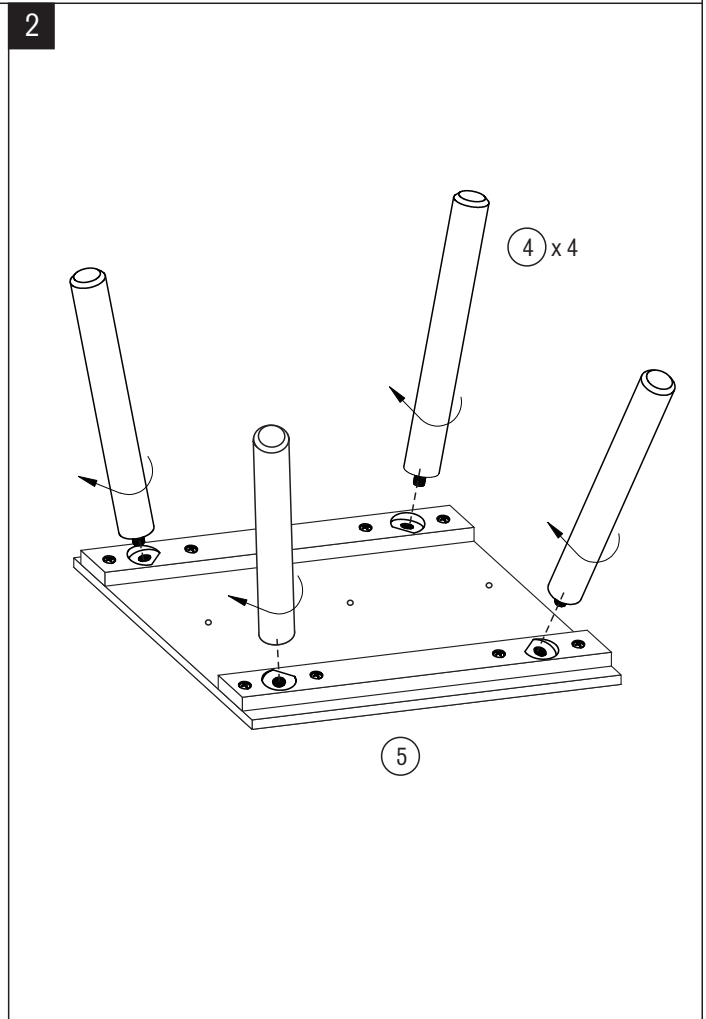
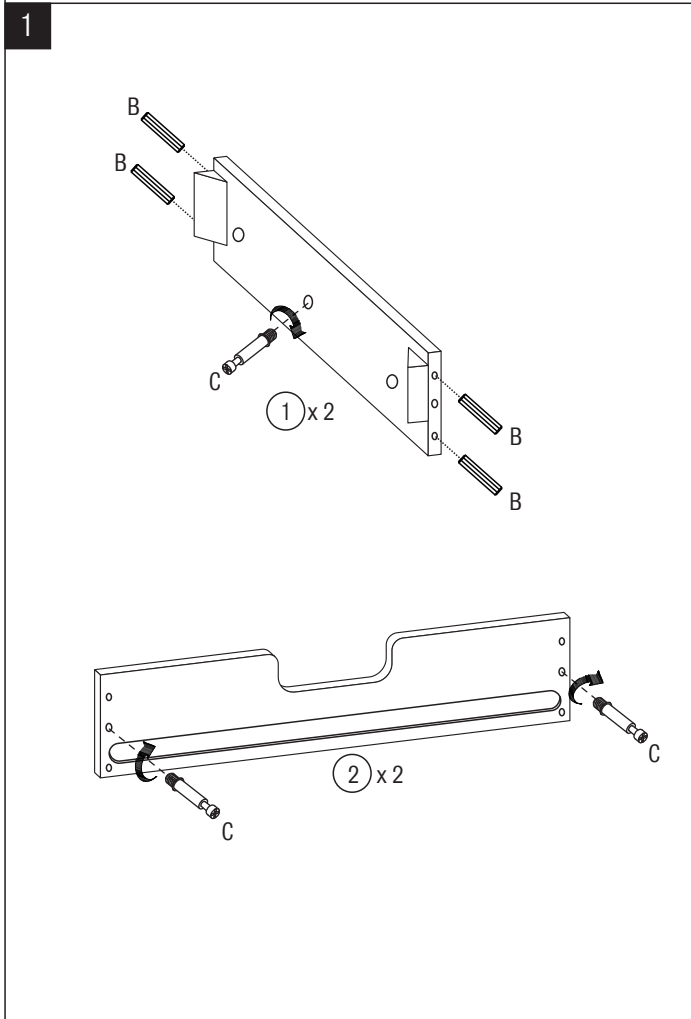
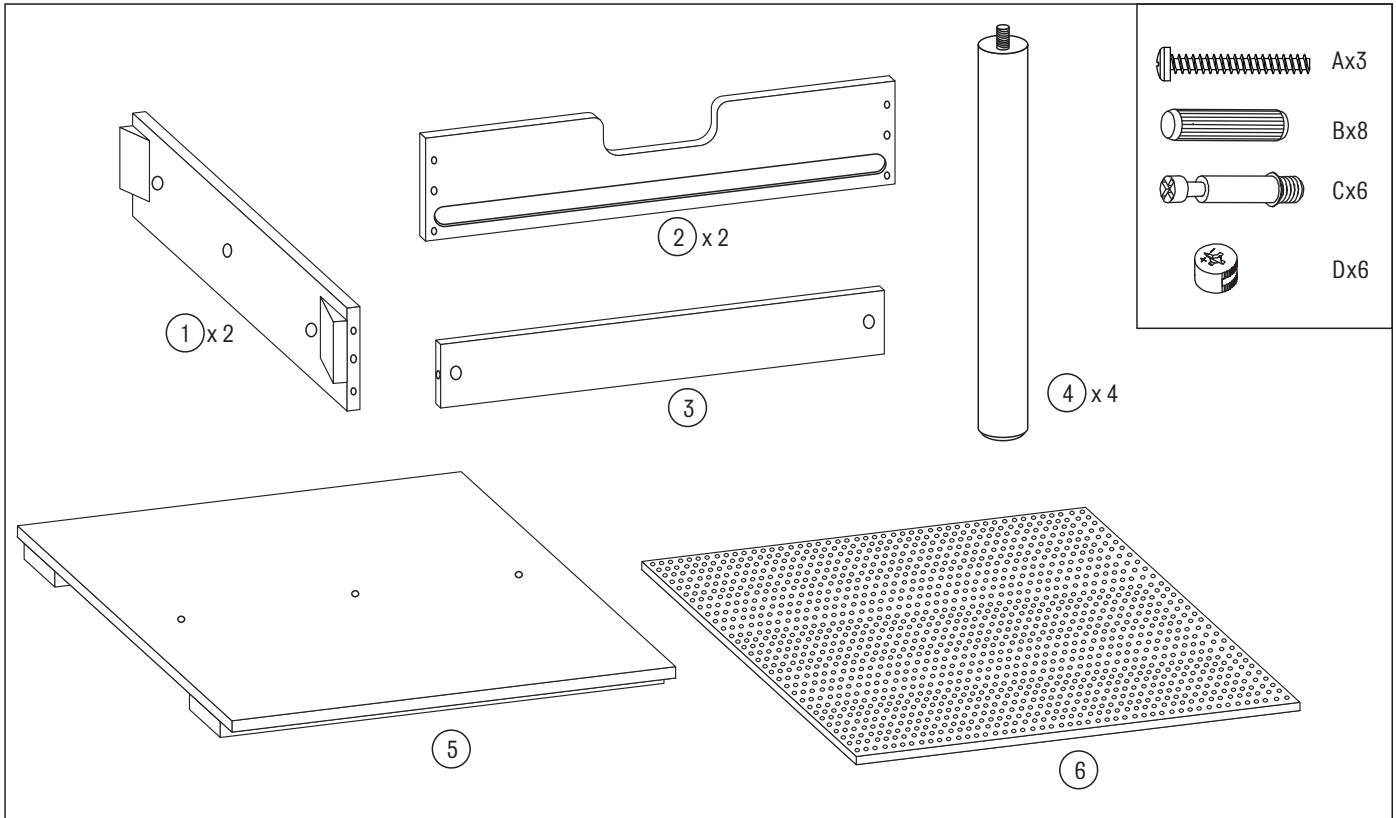


# Assembly Instructions



**CAUTION:**

ADULT ASSEMBLY IS REQUIRED. HARDWARE CONTAINS SCREWS WITH SHARP POINTS. KEEP UNASSEMBLED PARTS OUT OF THE REACH OF SMALL CHILDREN. ADULT SUPERVISION IS RECOMMENDED. THIS IS A TOY, INTENDED FOR ROLE PLAY ONLY.

WARNING: DO NOT STAND OR SIT ON THE TABLE. DO NOT USE THE TABLE AS A STEP LADDER. DO NOT USE THE TABLE UNLESS ALL BOLTS, SCREWS AND KNOBS ARE FIRMLY SECURED. FAILURE TO FOLLOW THESE WARNINGS COULD RESULT IN SERIOUS INJURY. MAXIMUM LOAD LIMIT FOR TABLE: 5KG.

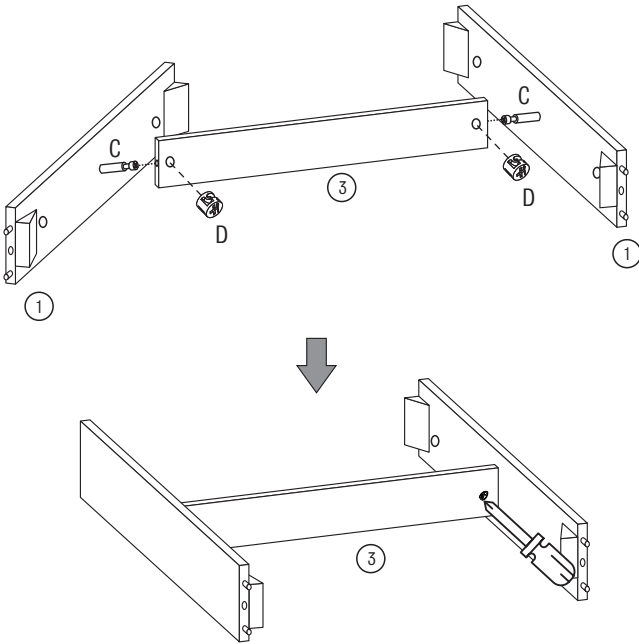
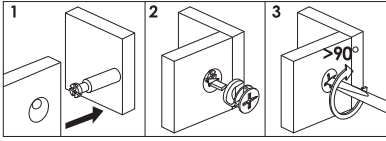


**WARNING**

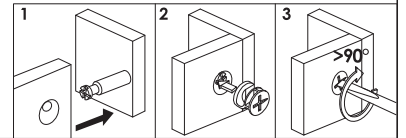
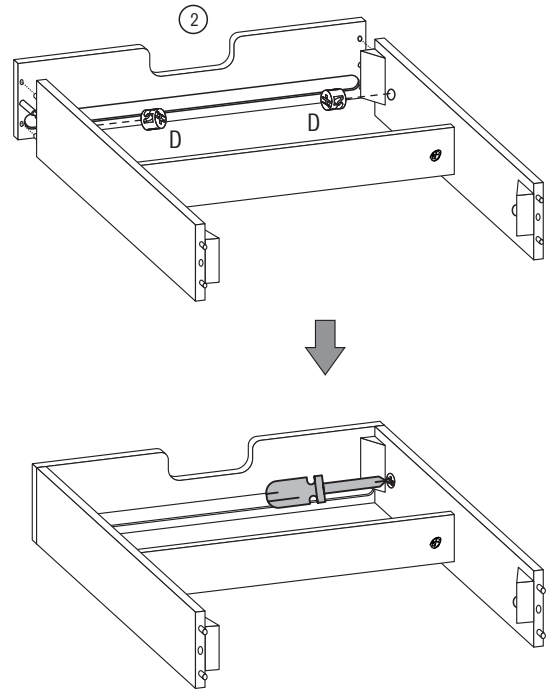
CHOKING HAZARD-SMALL PARTS. NOT SUITABLE FOR CHILDREN UNDER 3 YEARS.

3

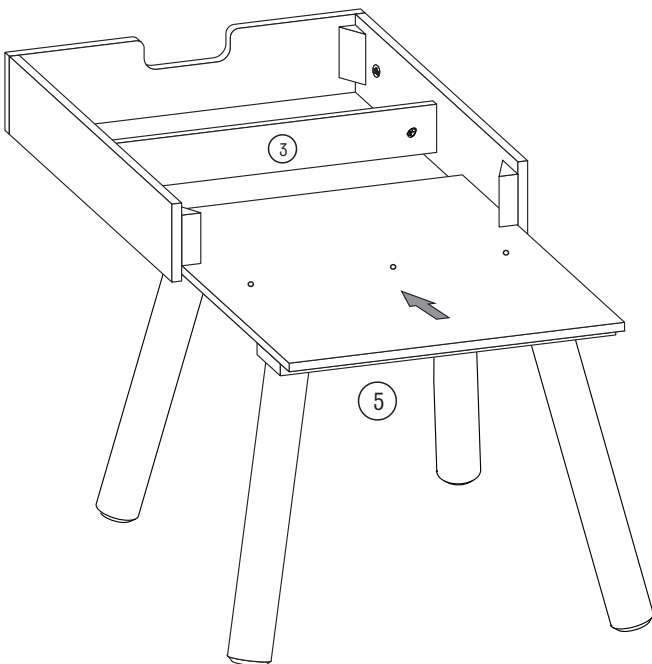
1. Insert D to the hole and make sure opening on D aim to C.
2. Assemble ③ to ① and tighten screw D with screwdriver.



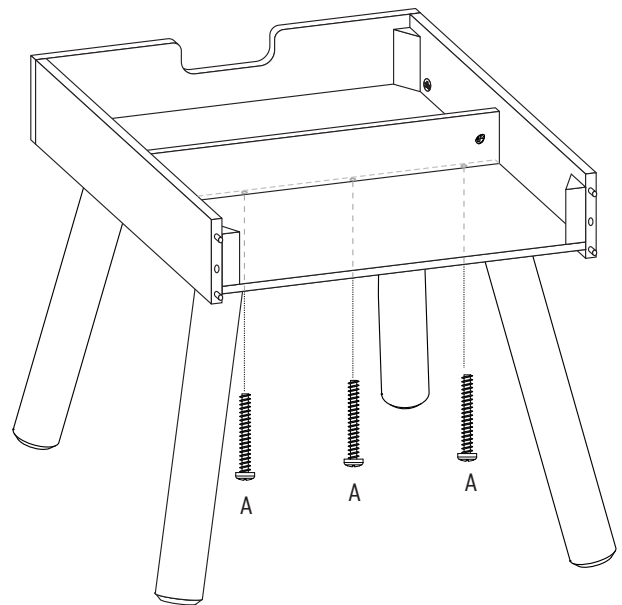
4



5



6

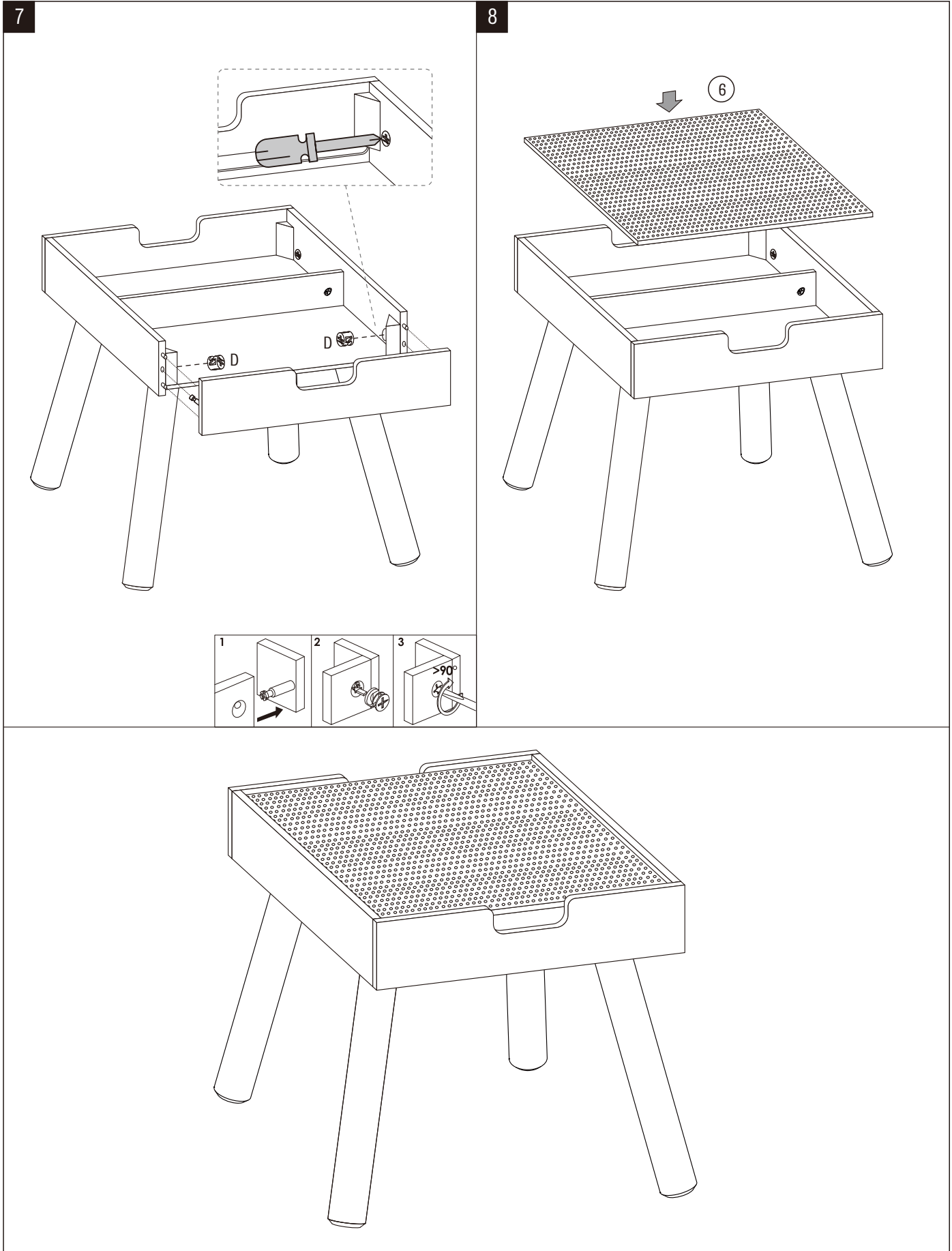
**CAUTION:**

ADULT ASSEMBLY IS REQUIRED. HARDWARE CONTAINS SCREWS WITH SHARP POINTS. KEEP UNASSEMBLED PARTS OUT OF THE REACH OF SMALL CHILDREN. ADULT SUPERVISION IS RECOMMENDED. THIS IS A TOY, INTENDED FOR ROLE PLAY ONLY.

**WARNING:** DO NOT STAND OR SIT ON THE TABLE. DO NOT USE THE TABLE AS A STEP LADDER. DO NOT USE THE TABLE UNLESS ALL BOLTS, SCREWS AND KNOBS ARE FIRMLY SECURED. FAILURE TO FOLLOW THESE WARNINGS COULD RESULT IN SERIOUS INJURY. MAXIMUM LOAD LIMIT FOR TABLE: 5KG.

**WARNING**

CHOKING HAZARD-SMALL PARTS.  
NOT SUITABLE FOR CHILDREN UNDER 3 YEARS.



**CAUTION:**

ADULT ASSEMBLY IS REQUIRED. HARDWARE CONTAINS SCREWS WITH SHARP POINTS. KEEP UNASSEMBLED PARTS OUT OF THE REACH OF SMALL CHILDREN. ADULT SUPERVISION IS RECOMMENDED. THIS IS A TOY, INTENDED FOR ROLE PLAY ONLY.

**WARNING:** DO NOT STAND OR SIT ON THE TABLE. DO NOT USE THE TABLE AS A STEP LADDER. DO NOT USE THE TABLE UNLESS ALL BOLTS, SCREWS AND KNOBS ARE FIRMLY SECURED. FAILURE TO FOLLOW THESE WARNINGS COULD RESULT IN SERIOUS INJURY. MAXIMUM LOAD LIMIT FOR TABLE: 5KG.



**WARNING**  
CHOKING HAZARD-SMALL PARTS.  
NOT SUITABLE FOR CHILDREN UNDER 3 YEARS.