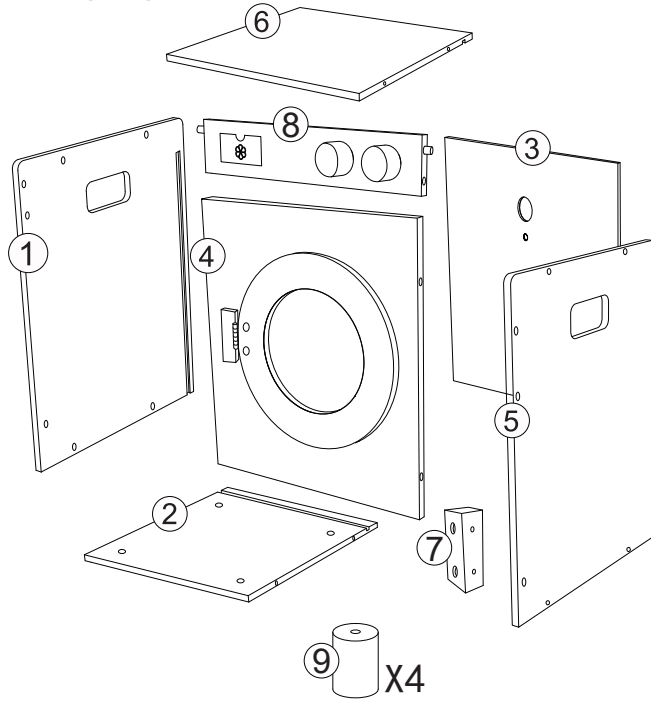


### PARTS LIST



### HARDWARE

A. Large head screw X4



B. Yellow large head screw X14



C. Large head screw X2



D. Small head screw X4



E. X1

F. X1

Y1. X1

Y2. X1

Y3. X1

Y4. X1

Y5. X1

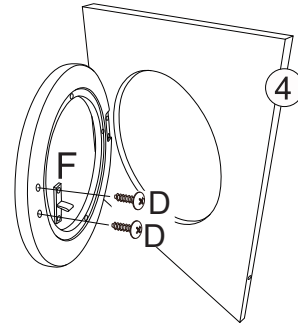
Y6. X2

Y7. X1

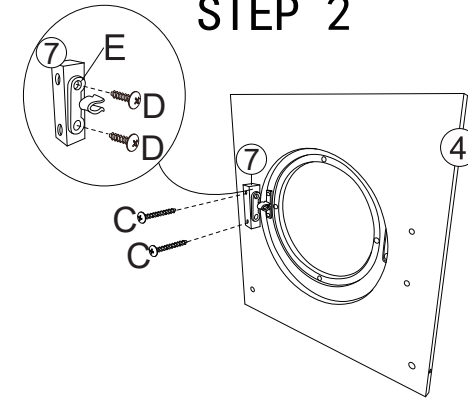
Y8. X1

Cross screwdriver (not included)

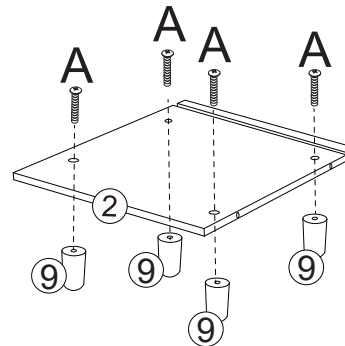
### STEP 1



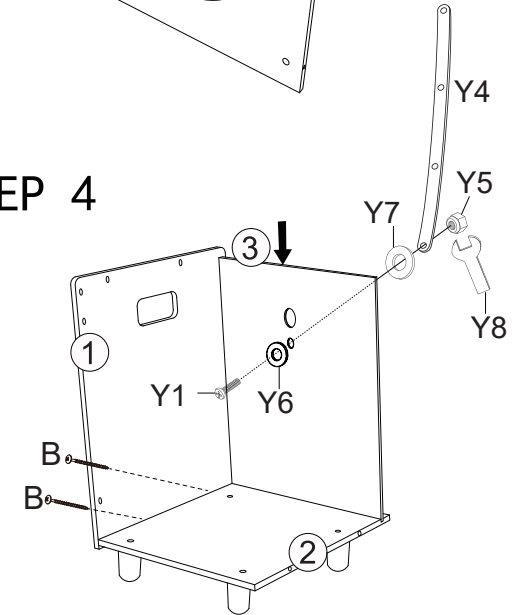
### STEP 2



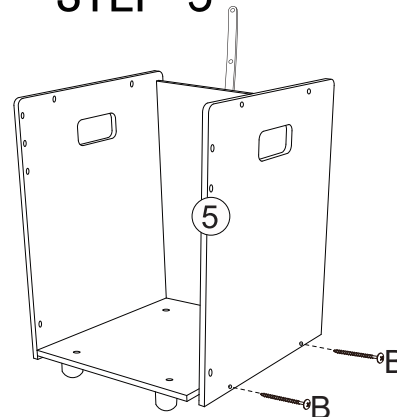
### STEP 3



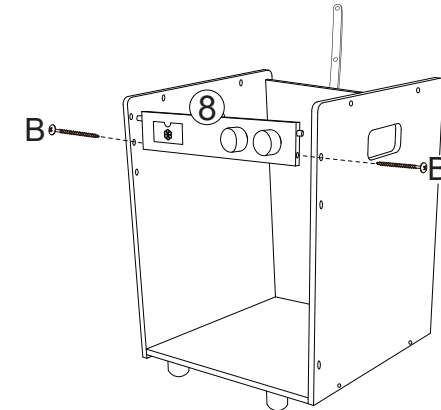
### STEP 4



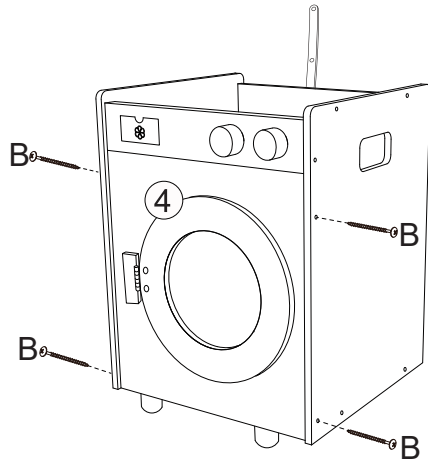
### STEP 5



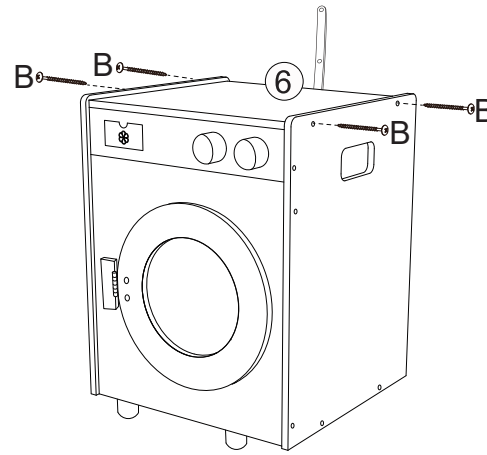
### STEP 6



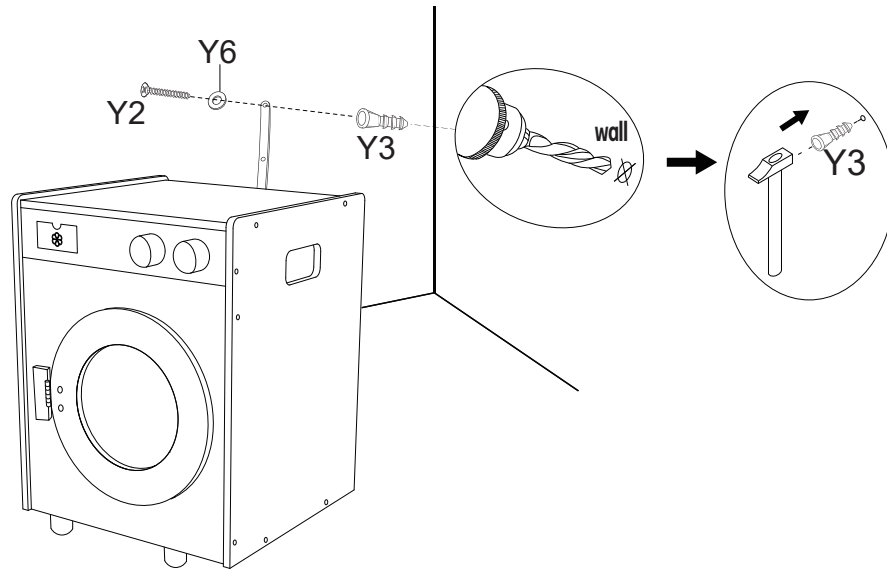
## STEP 7



## STEP 8



## STEP 9



**WARNING:** PLEASE SECURE THIS PRODUCT WITH THE SUPPLIED WALL FIXING. IT IS STRONGLY RECOMMENDED THAT THIS PRODUCT IS PERMANENTLY FIXED TO THE WALL. PLEASE SEEK PROFESSIONAL ADVICE IF YOU ARE IN DOUBT OF WHAT FIXING DEVICE TO USE. REGULARLY CHECK THAT ANCHOR IS SECURELY MAINTAINED.

**WARNING:** CHOKING HAZARD - SMALL PARTS, NOT SUITABLE FOR CHILDREN UNDER 3 YEARS.

**CAUTION:** ADULT ASSEMBLY IS REQUIRED. UNASSEMBLED PARTS CONTAIN SCREWS AND WITH FUNCTIONAL SHARP POINTS, PLEASE KEEP UNASSEMBLED PARTS AWAY FROM SMALL CHILDREN.

**CAUTION:** PLEASE CHECK CONDITION OF ITEM REGULARLY, AS SCREWS MAY LOOSEN WITH USE OVER TIME. TIGHTEN SCREW FITTINGS IF NECESSARY.

**WARNING:** DO NOT STAND OR SIT ON THE PRODUCT. DO NOT USE AS A STEP LADDER. FAILURE TO FOLLOW THESE WARNINGS COULD RESULT IN SERIOUS INJURY. THIS IS A TOY, INTENDED FOR ROLE PLAY ONLY.

Keycode:43029372  
MADE IN CHINA  
© KMART AUSTRALIA LIMITED