

# Assembly Instructions

## 43026234 WHITE KITCHEN ISLAND

### CARE INSTRUCTION:





CHECK AND TIGHTEN ALL PARTS REGULARLY. WIPE CLEAN WITH A SOFT DRY OR DAMP CLOTH. FOR INDOOR AND DOMESTIC USE.




### WARNINGS:

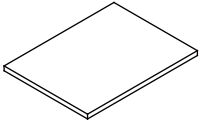
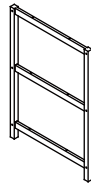
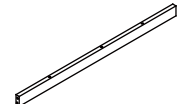
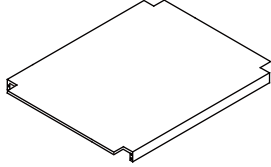
DO NOT STAND OR SIT ON THE UNIT. DO NOT LEAN ON THE PRODUCT. DO NOT DRAG THE PRODUCT. USE ONLY ON A FLAT SURFACE. DO NOT USE UNTIL ALL SCREWS, BOLTS AND KNOBS ARE FIRMLY SECURED. THIS PRODUCT CONTAINS SMALL PARTS AND SHARP POINTS, KEEP AWAY FROM CHILDREN AND BABIES. ADULT ASSEMBLY REQUIRED. FAILURE TO FOLLOW THESE WARNINGS COULD RESULT IN SERIOUS INJURY.

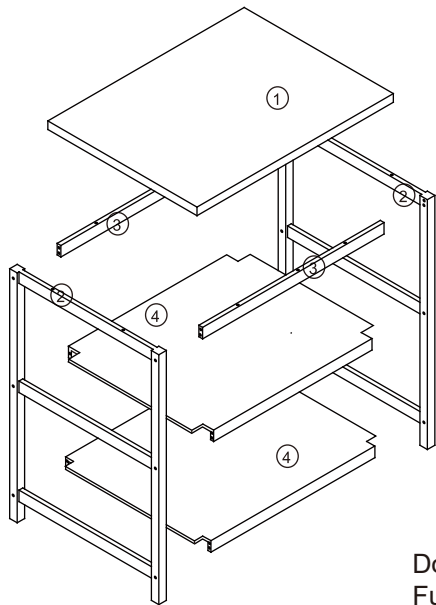
**MAXIMUM SAFE LOAD:** 25KG FOR TOP PANEL, 12KG FOR MIDDLE SHELF, 12KG FOR BOTTOM SHELF.

### Hardware list

|   |   |        |       |
|---|---|--------|-------|
|  | A | 6X70mm | 12PCS |
|  | B | 6x30mm | 4PCS  |
|  | C | 4x45mm | 10PCS |
|  | D | 4x30mm | 8PCS  |

|   |   |        |       |
|---|---|--------|-------|
|  | E | ∅ 30mm | 4PCS  |
|  | F |        | 1PC   |
|  | G | ∅ 15mm | 12PCS |
|   |   |        |       |

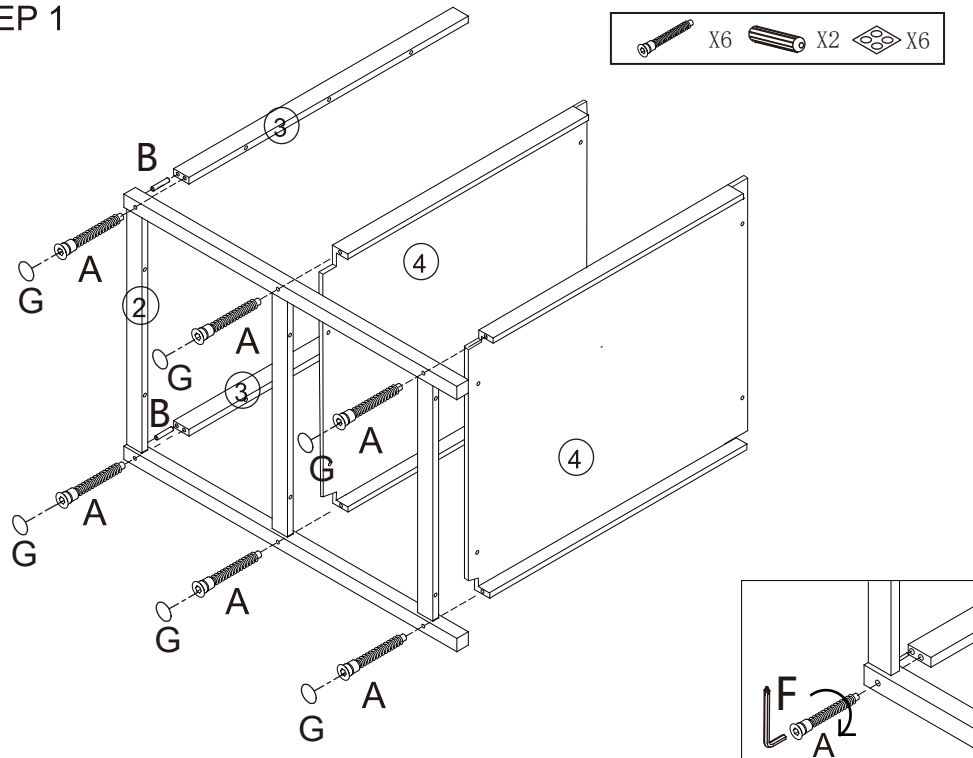
|   |       |   |       |   |       |
|---|-------|---|-------|---|-------|
|  |       |  |       |  |       |
| ①   | 1 PC  | ②   | 2 PCS | ③   | 2 PCS |
|  |       |   |       |   |       |
| ④   | 2 PCS |   |       |   |       |



Do not tighten the screws fully during assembly.  
Fully tighten screws after the final assembly steps.

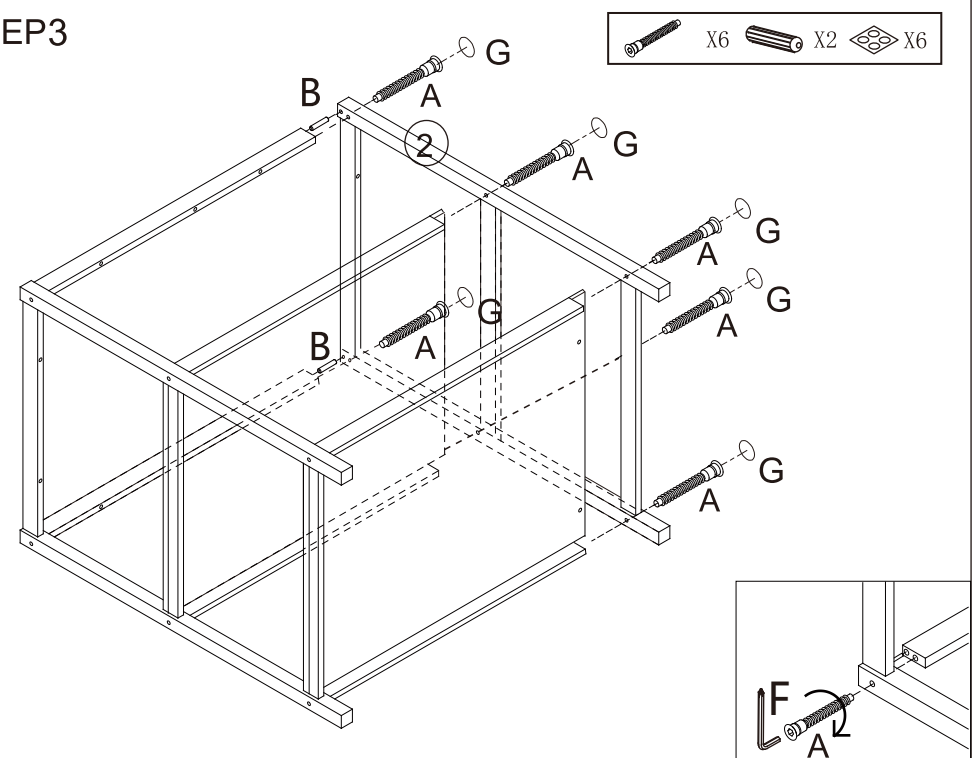
STEP 1

X6 X2 X6



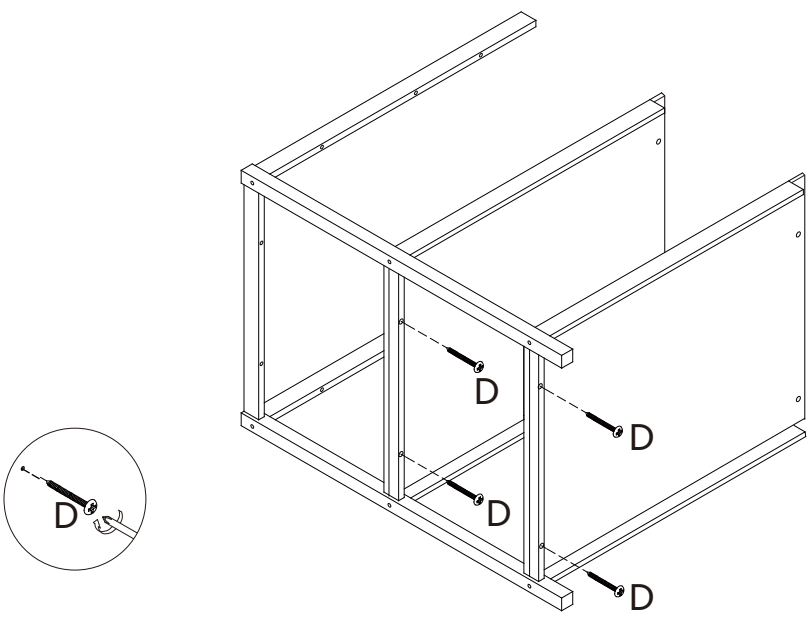
STEP 3

X6 X2 X6



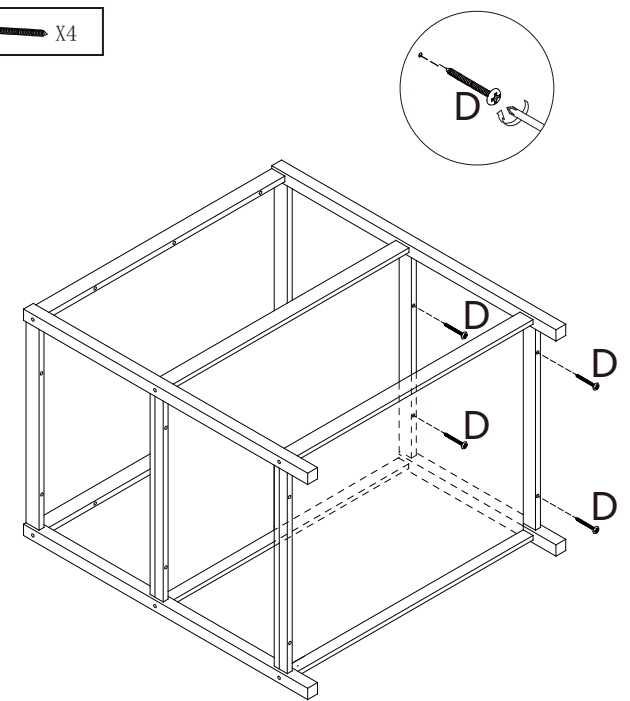
STEP 2

X4



STEP 4

X4



# STEP 5

X10  X4 

