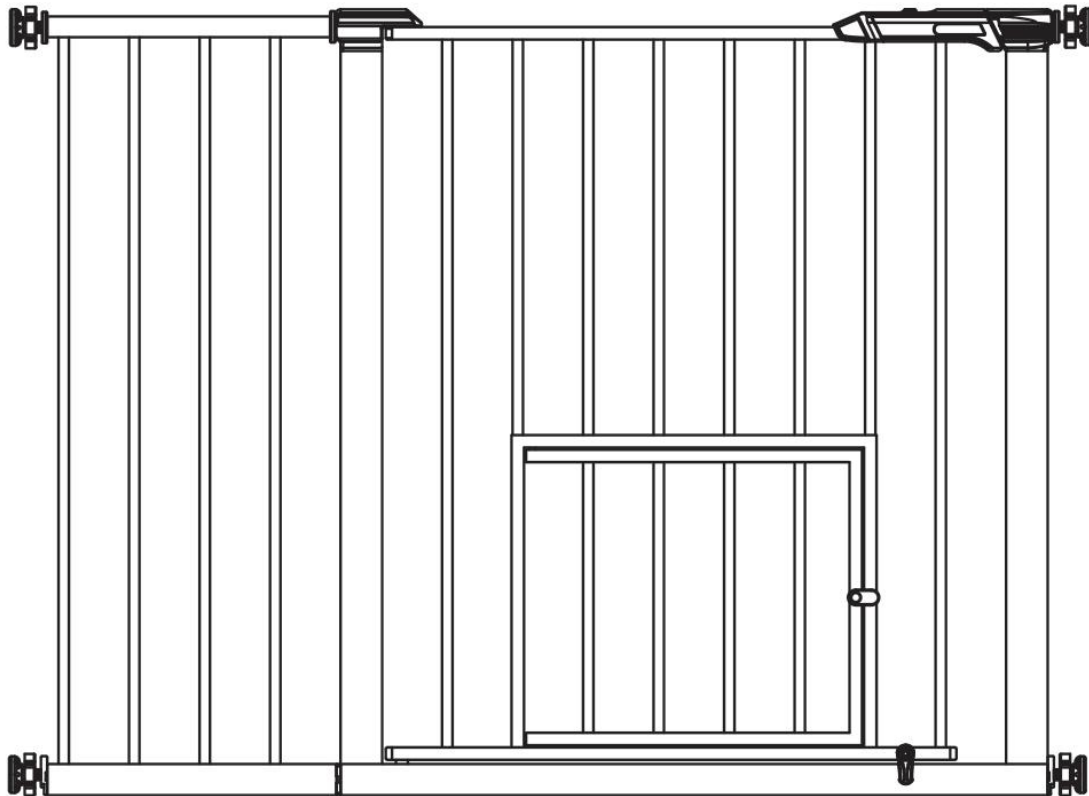


anko

Pet Gate With Extension



Contents

1



Before assembly

Please note that this is how the door appears prior to installation

After assembly

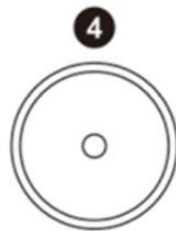
Once installed correctly, the latch will connect with the frame.



Cap screw x 4pcs



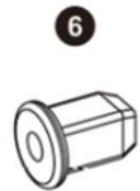
Plastic nut x 4pcs



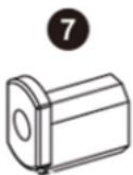
Wall cup x 4pcs



Screws x 4pcs



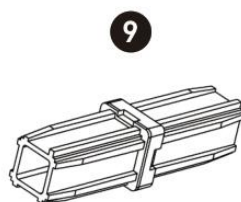
Upper plastic cap x 2pcs



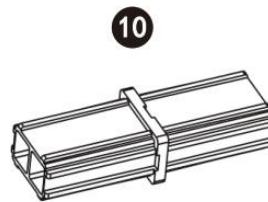
Lower plastic cap x 2pcs



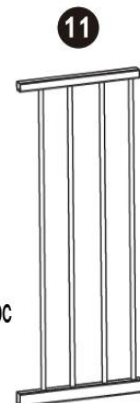
Spanner x 1pc



Upper extension plastic cap x 1pc



Lower extension plastic cap x 1pc

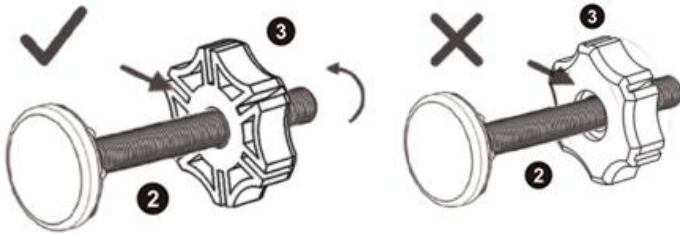


Extension tube x 1pc

Assembly Instructions

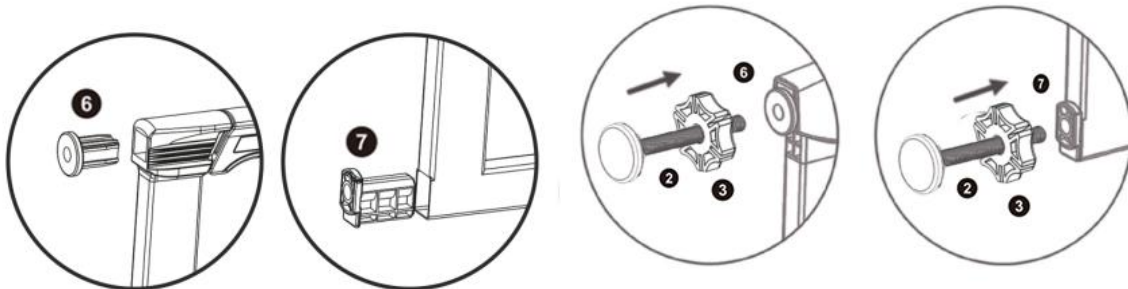
Step 1.

Take out cap screw (No.2) and plastic nut (No.3), screw them together by following below right image. Please pay attention on the direction of plastic nuts at this step.



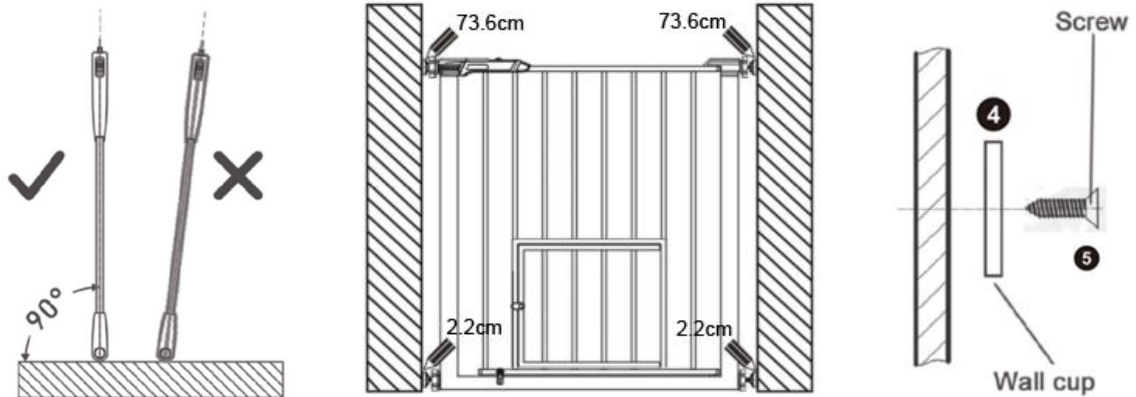
Step 2. Without extension

Insert upper plastic cap (No. 6) into upper side holes of safety gate (No.1) on both sides. Insert lower plastic cap (No.7) into lower side holes on both sides. Then insert the four accessories assembled in step 1 into the upper and lower caps (No. 6 and No. 7) holes of the gate.



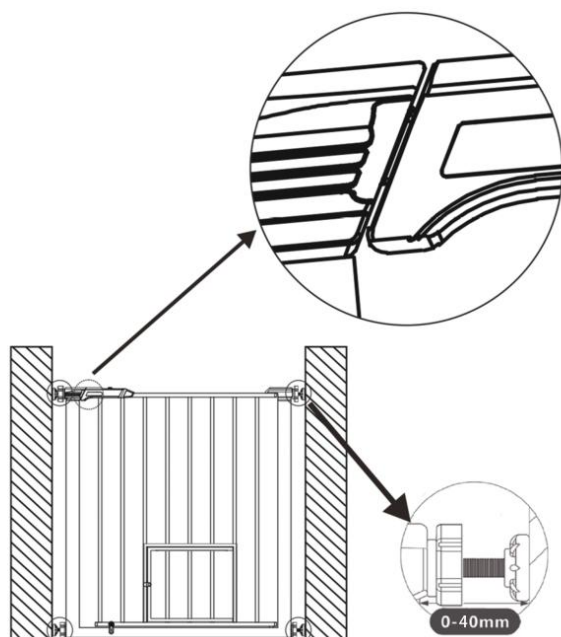
Step 3.

Put the pet gate (No.1) on the ground and make sure the gate is vertical and flat on the floor. Mark the four corner positions and distances of the door according to the below middle picture. Then remove the gate, thread the self-tapping screw (No. 5) through the wall cup (No.4) and attach to the wall (marked position) with a screw driver. Repeat it at other three marked positions. Please place the flat side of the wall cups (No.4) against the wall.



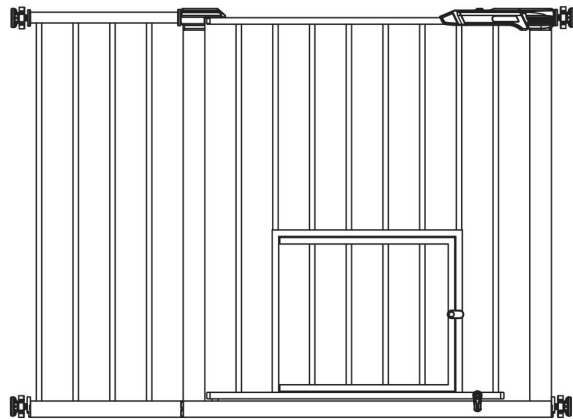
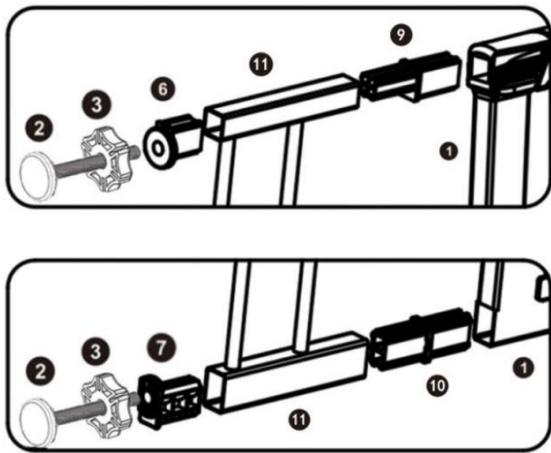
Step 4.

Put the gate into right side of wall cups first. Adjust the distance between plastic nuts (No. 3) and cap screws (No.2) on the four corners to make sure you can put left side gate in. Keep the gate switch horizontal. Then tighten the plastic nuts (No.3) at four corners by using spanner (No.8), make sure to tightly connect the gate switch part to left frame. Once these are tightened properly, the gap between the door latch and the frame will be closed.



Step 5. Using extension option

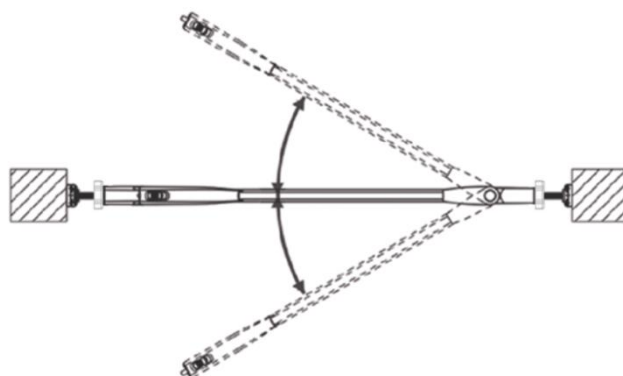
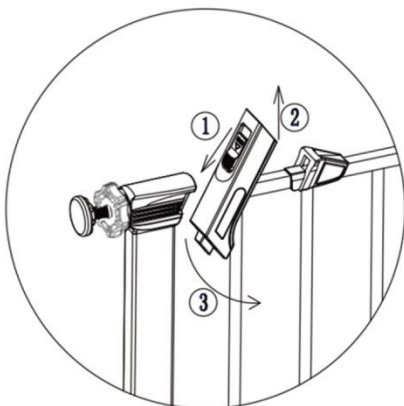
The gate base can be equipped with extension tube (No.11) at either side. Please refer to below image. Use upper extension plastic cap (No. 9) and lower extension plastic cap (No. 10) inserted into safety gate (No.1) and extension tube (No. 11) as image below. Then follow step 2 above to attach (No. 2, 3, 6 and 7) to extension tube (No. 11)



Step 6.

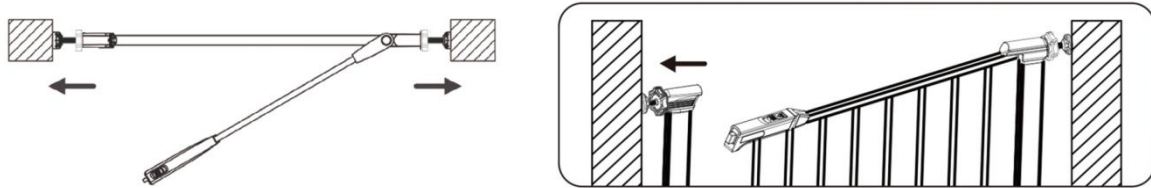
Open the pet gate: push the button (1), lift the back side of the handle (2), open the gate (3);

Close the pet gate: press down the handle until you hear a “click” sound.



Step 7.

Un-Installation: twisting the four plastic nuts (No.3) in a reverse way, loosen the four corners of the pet gate to remove it from pressure-mounted position.



WARNING:THIS GATE IS FOR PET USE ONLY.

WARNING:THIS GATE MUST NOT BE FITTED ACROSS OR BETWEEN WINDOWS.

THIS GATE MUST BE FITTED BETWEEN RIGID SURFACES SUCH AS DOORWAYS OR WALLS,
ALONG WITH MOUNTING CUPS SECURED WITH SCREWS.

NEVER USE WITHOUT MOUNTING CUPS.

TO MAKE YOUR PET IS SAFE, INSTALL THE GATE SECURELY AND INSPECT THE COMPONENTS
ARE TIGHT REGULARLY.

DO NOT USE THE GATE IF ANY COMPONENTS ARE DAMAGED OR MISSING.

USE ONLY WITH THE LOCKING/LATCHING MECHANISM SECURELY ENGAGED.

READ THE INSTRUCTIONS BEFORE INSTALLATION AS INCORRECT INSTALLATION CAN BE
DANGEROUS.

THIS PET GATE IS FOR DOMESTIC USE ONLY.

Maintenance

Inspect regularly and remove if damaged.

Clean the product with dampened soft fabric.