





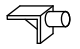






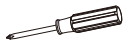
Assembly Instructions

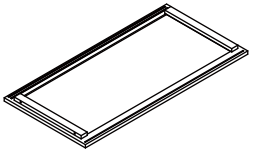
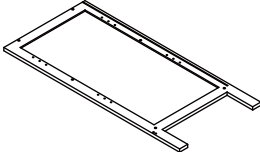
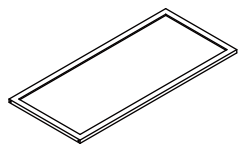
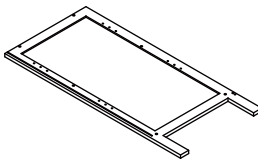
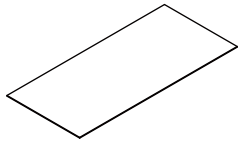
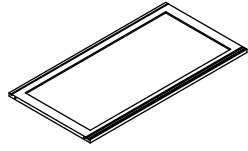
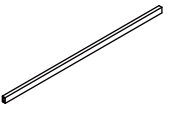
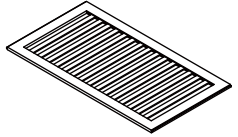
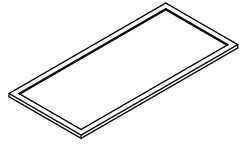
43019526 BAMBOO SHOE CABINET

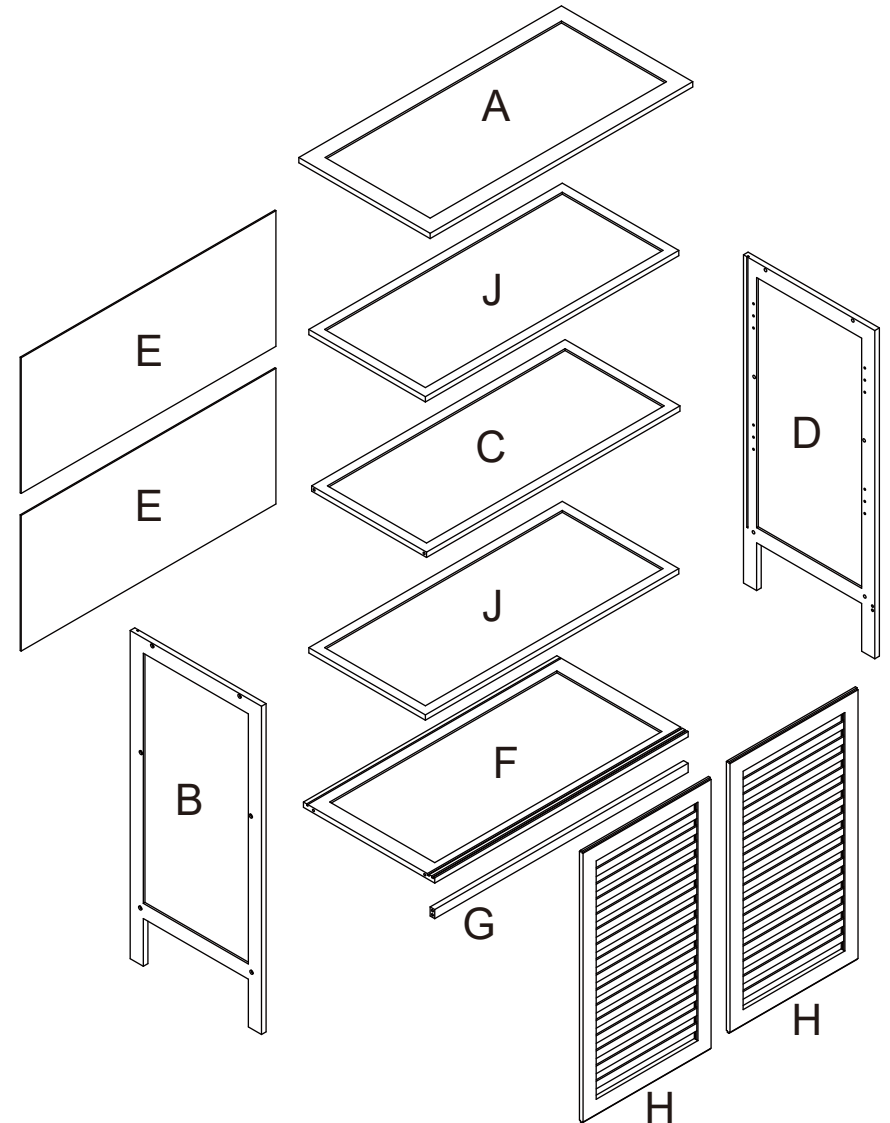
CARE INSTRUCTION: WIPE CLEAN WITH A SOFT DRY OR DAMP CLOTH. KEEP AWAY FROM WATER AND DIRECT SUNLIGHT. FOR INDOOR AND DOMESTIC USE. CHECK AND TIGHTEN ALL PARTS REGULARLY.

WARNING: DO NOT STAND OR SIT ON THE UNIT. DO NOT LEAN ON THE PRODUCT. DO NOT DRAG THE PRODUCT. USE ONLY ON A FLAT SURFACE. DO NOT USE UNTIL ALL SCREWS, BOLTS AND KNOBS ARE FIRMLY SECURED. THIS PRODUCT CONTAINS SMALL PARTS AND SHARP POINTS, KEEP AWAY FROM CHILDREN AND BABIES. ADULT ASSEMBLY REQUIRED. FAILURE TO FOLLOW THESE WARNINGS COULD RESULT IN SERIOUS INJURY. MAXIMUM TOTAL LOADING WEIGHT: 28KG (8KG FOR TOP PANEL, 5KG FOR EACH SHELF)

Hardware list

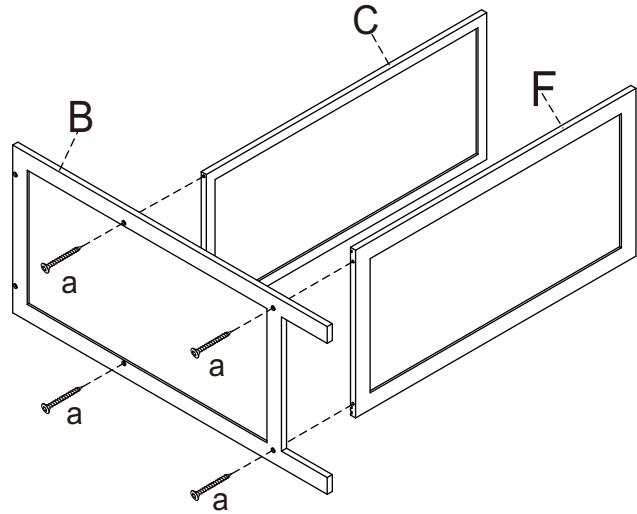
	a	5X40mm	12PCS		g		1PC
	b	6X30mm	4PCS		h		1PC
	c		8PCS		i		2PCS
	d		4PCS		j	3X12mm	1PC
	e	3X14mm	4PCS		k	hex key	1PC
	f	4X30mm	1PC	 Tool required Philips Head Screw Driver (Not Provided)			

	A	1 PC		B	1 PC		C	1 PC
	D	1 PC		E	2 PCS		F	1 PC
	G	1 PC		H	2 PCS		J	2 PCS

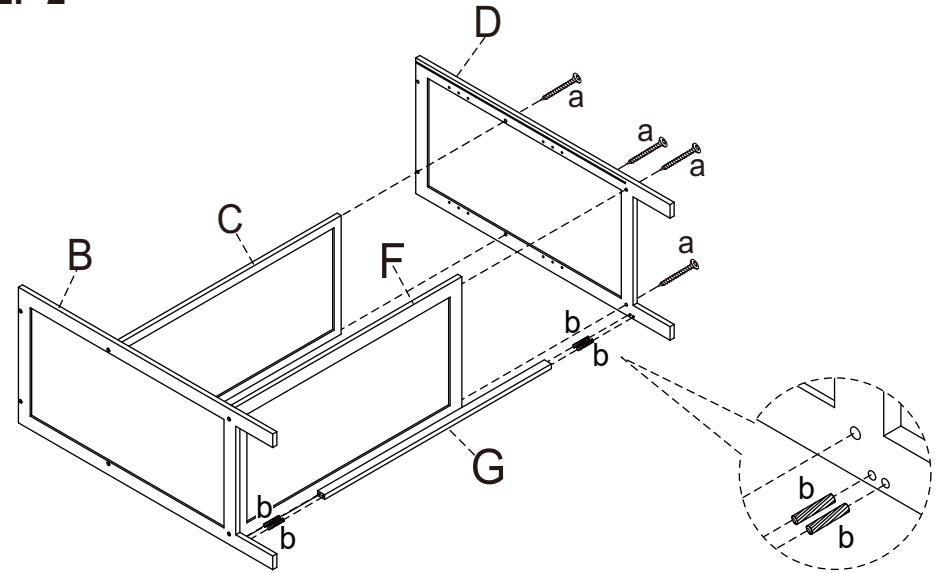


DO NOT TIGHTEN THE SCREWS UNTIL THE PRODUCT IS FULLY ASSEMBLED.

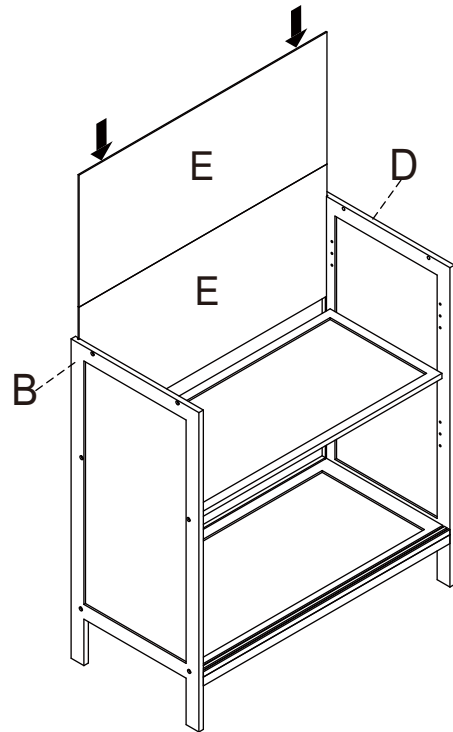
STEP 1



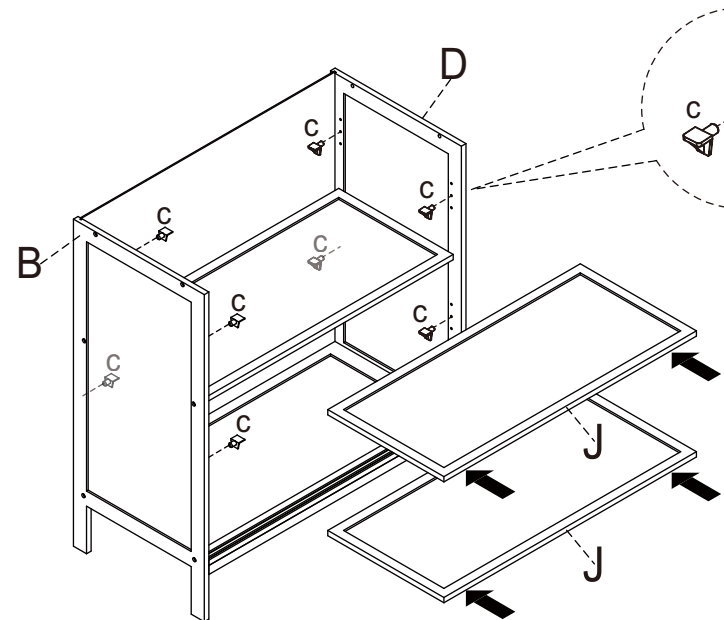
STEP 2



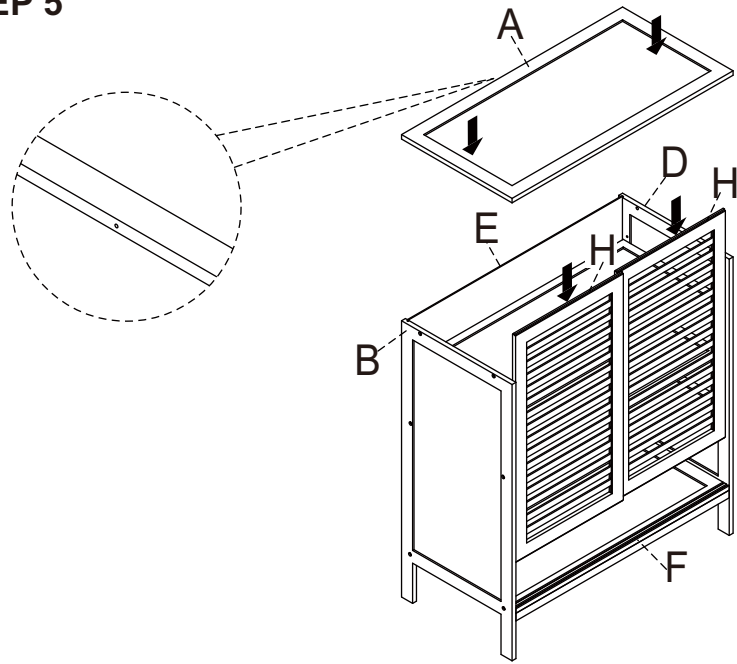
STEP 3



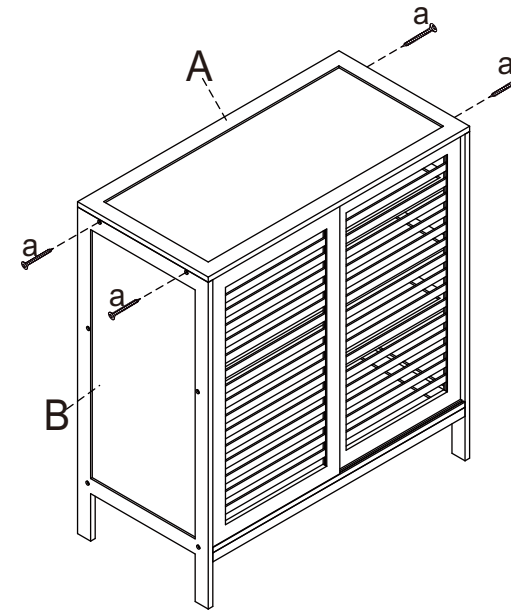
STEP 4



STEP 5

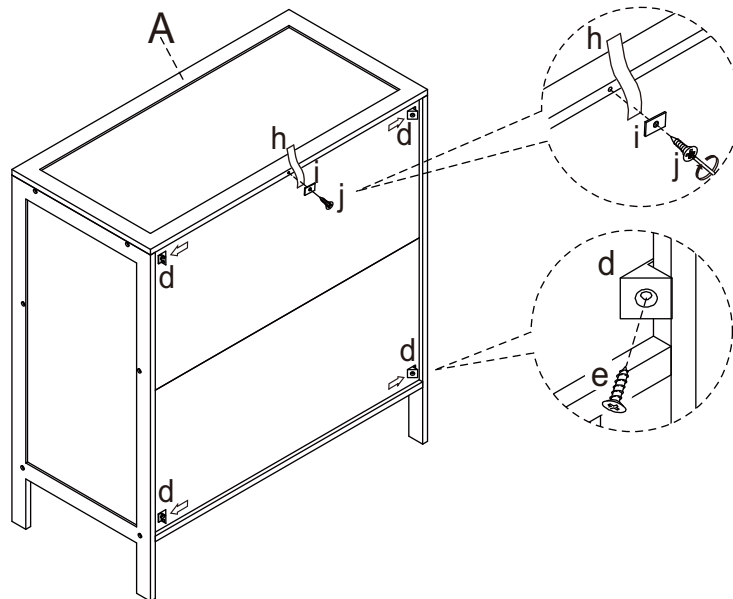


STEP 6



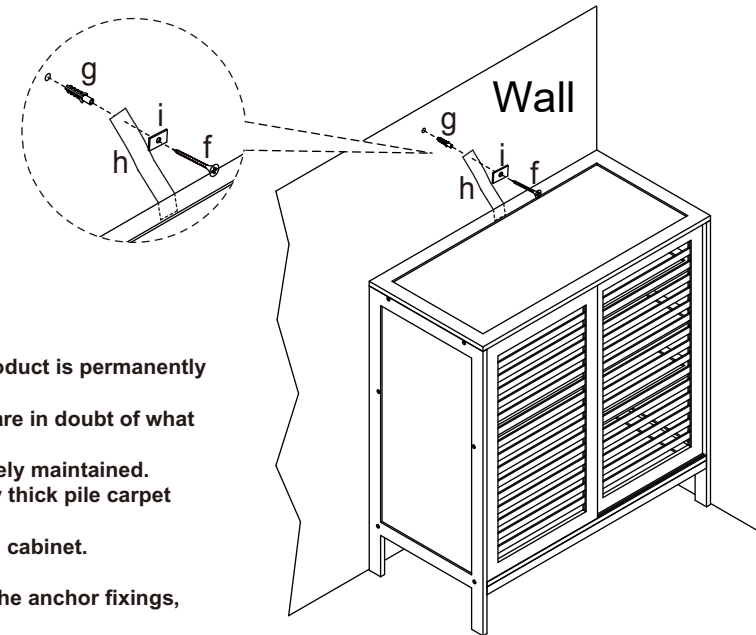
 a X 4

STEP 7



 d X 4  e X 4  h X 1  i X 1  j X 1

STEP 8



Warning:

- It is strongly recommended that this product is permanently fixed to the wall.
- Please seek professional advice if you are in doubt of what fixing device to use.
- Regularly check that anchors are securely maintained.
- Stability of tall items may be affected by thick pile carpet or uneven floors.
- Do not place unanchored televisions on cabinet.

Caution: for your safety when attaching the anchor fixings, please note the following:

- Check any electrical wires or plumbing inside the wall before drilling any holes (if you are unsure please seek professional advice from a qualified tradesperson).

 f X 1  g X 1  i X 1