

ASSEMBLY INSTRUCTIONS

42973973 STORAGE TOY BOX W/ WHEELS

CARE INSTRUCTIONS:








PLEASE READ THESE INSTRUCTIONS CAREFULLY. PLEASE ENSURE YOU HAVE ALL PARTS BEFORE YOU START ASSEMBLING. PLACE ALL PARTS ON A CLEAN AND FLAT SURFACE. TOOL REQUIRED: PHILIPS HEAD SCREWDRIVER (NOT PROVIDED).


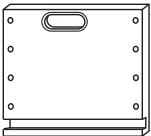
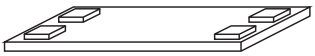
WARNING:

THIS PACKAGE CONTAINS SMALL PARTS AND SHARP POINTS, KEEP AWAY FROM CHILDREN UNTIL ASSEMBLY IS COMPLETED. ADULT ASSEMBLY REQUIRED. DO NOT SIT OR STAND IN THE BOX, USE IT FOR STORAGE PURPOSE ONLY. FAILURE TO FOLLOW THESE WARNINGS COULD RESULT IN SERIOUS INJURY.

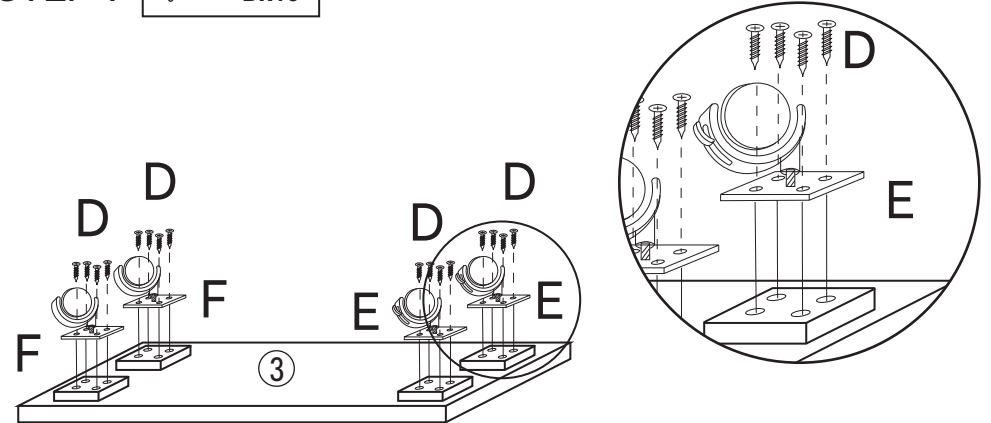
MAXIMUM SAFE LOAD: 5KG.

Hardware list

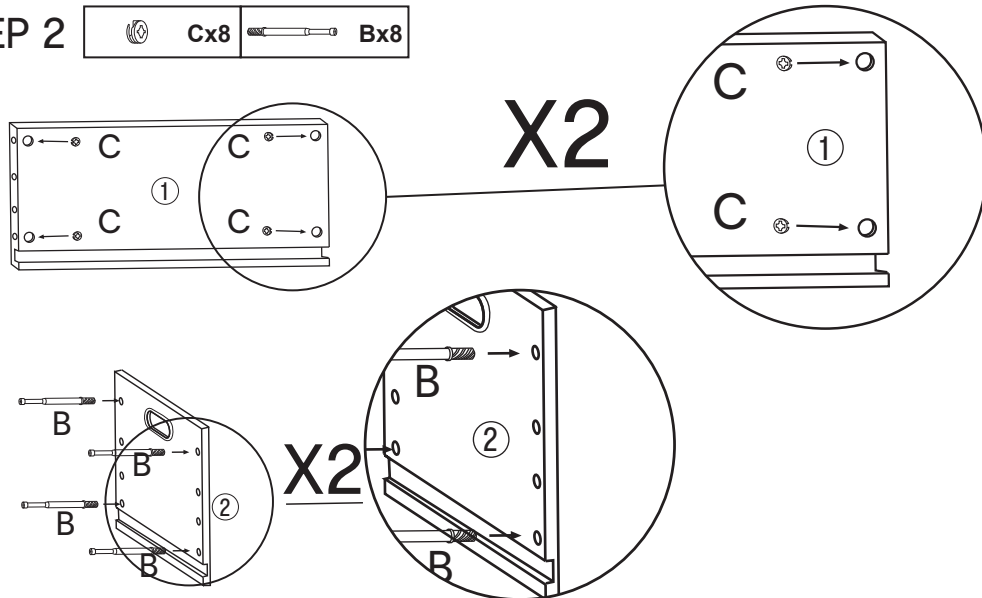
	A	8pc
	B	8pc
	C	8pc
	D	16pc
	E	2pc
	F	2pc
	H	8pc

	①	2pc
	②	2pc
	③	1pc

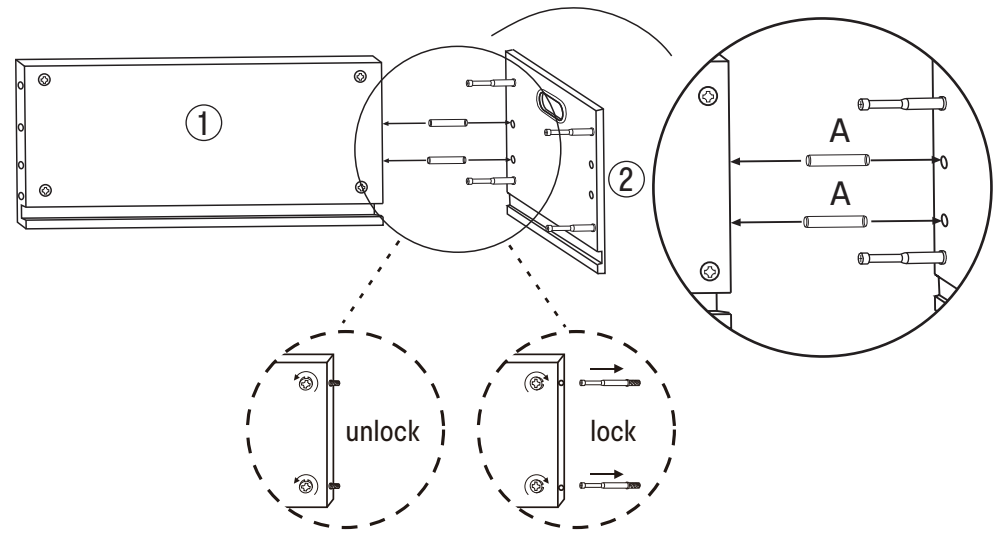
STEP 1 Dx16



STEP 2 Cx8 Bx8

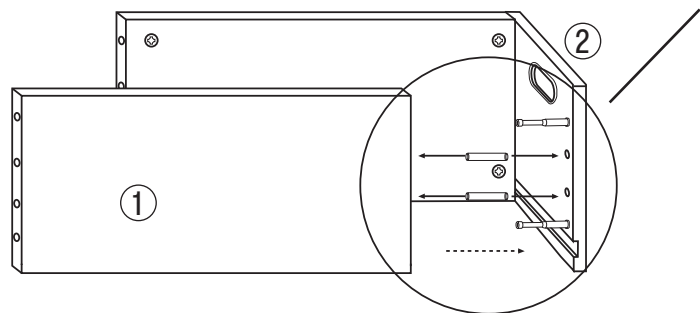
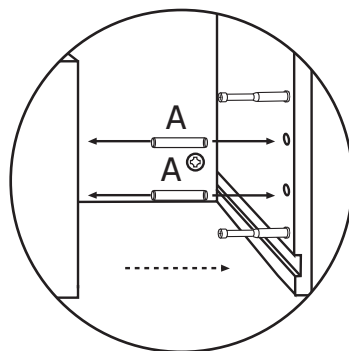


STEP 3 Ax2

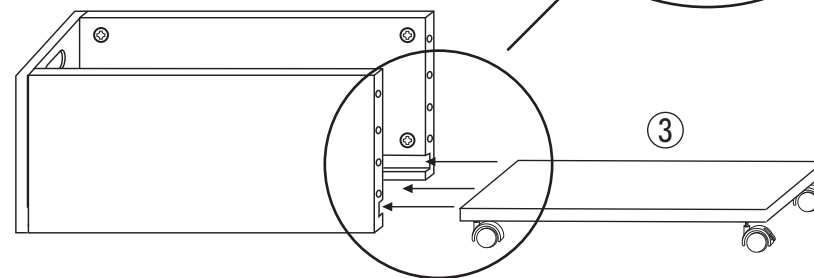
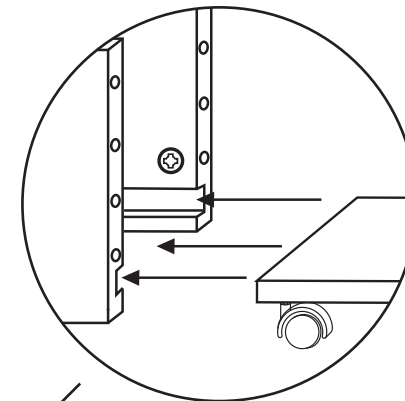


STEP 4

 Ax2

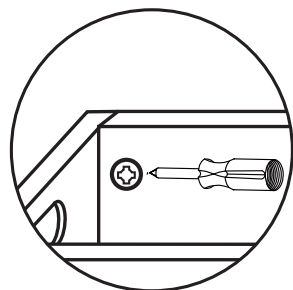
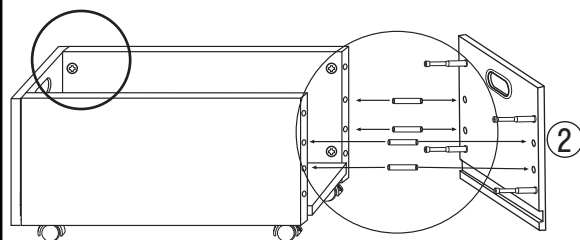
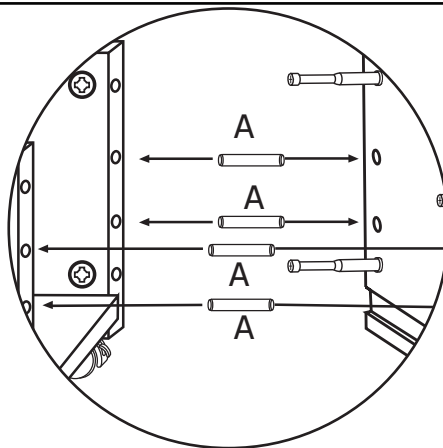


STEP 5



STEP 6

 Ax4



Tighten all the round screws from part C with a screwdriver once assembly is completed.

STEP 7: Use sticker H to cover all the screw holes C

 Hx8

