

## 2-In-1 Wooden Highchair Instruction Manual

**6-36**  
months

HIGHCHAIR

**15**  
kg

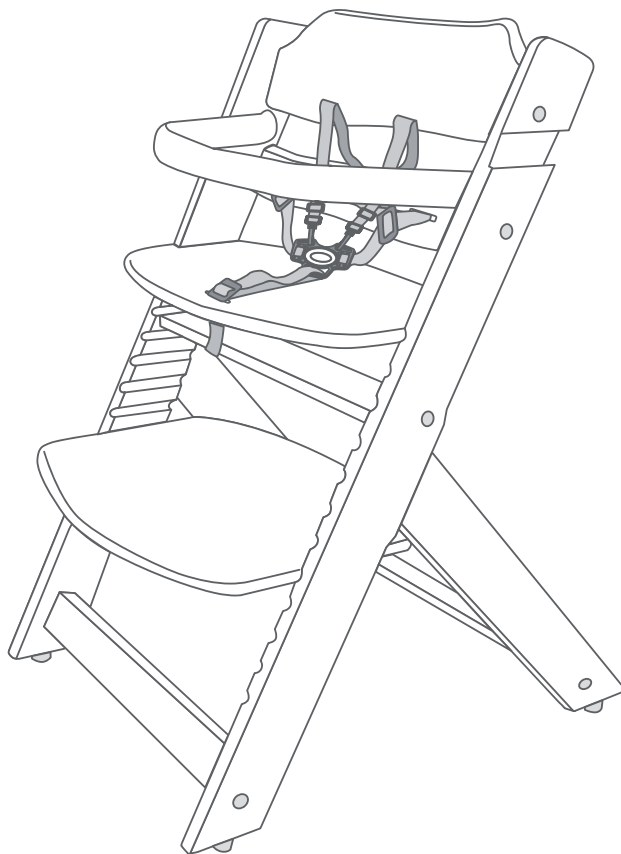
MAXIMUM  
WEIGHT  
HIGHCHAIR

**3-10**  
years

TODDLER  
CHAIR

**30**  
kg

MAXIMUM  
WEIGHT  
TODDLER  
CHAIR



THE ILLUSTRATIONS SHOWN IN THIS MANUAL ARE FOR REFERENCE ONLY. THE MANUFACTURER RESERVES THE RIGHT TO CHANGE ANY SPECIFICATION OR FEATURE WITHOUT FURTHER NOTICE. IMPORTANT! PLEASE READ CAREFULLY BEFORE USE AND KEEP FOR FUTURE REFERENCE.

# Safety Advice

## Highchair Mode

### WARNING!

**IMPORTANT: RETAIN THESE INSTRUCTIONS FOR FUTURE REFERENCE.**

**IMPORTANT! READ CAREFULLY AND KEEP FOR FUTURE REFERENCE.**

Read these instructions carefully before assembly and use and keep for future reference. The child may be hurt if you do not follow these instructions. Adult assembly required.

Before using, remove and dispose of any plastic bags and other packaging (e.g. fasteners, fixing ties, etc.) and keep them out of reach of children.

**WARNING! FOLLOW THE MANUFACTURER'S INSTRUCTIONS.**

**WARNING! Do not leave the child unattended. Always keep child in view while in the highchair.**

**WARNING! The product is intended for children able to sit up unaided and up to 3 years or a maximum weight of 15 kg.**

**WARNING! Do not use the highchair until your child can sit up unaided (approx. 6 months).**

**WARNING! Position the highchair away from solid structures and benches to avoid injuries caused by falls and by access to dangerous items.**

**WARNING! Do not use the highchair unless all components are correctly fitted and adjusted.**

**WARNING! Be aware of the risk of open fire and other sources of strong heat, such as electric bar fires, gas fires etc. in the vicinity of the highchair.**

**WARNING! Do not use if any part is broken, torn or missing.**

**WARNING! Do not move or carry the highchair with your child inside.**

**WARNING! THE HARNESS MUST ALWAYS BE USED AND CORRECTLY FITTED. MOST INJURIES FROM HIGHCHAIRS ARE CAUSED BY FALLS.**

**WARNING! Falling hazard: Prevent your child from climbing on the product.**

**WARNING! Be aware of the risk of tilting when your child can push its feet against a table or any other structure.**

## Highchair Mode

- › Assembly to be carried out by a competent adult only.
- › During assembly children should be kept away from the product due to possible risk of injury.
- › Do not use this item if any components are missing or damaged.
- › This product is suitable for children in the age range of children for which the product is designed 6m – 10 years.
- › Folding and unfolding this product should only be carried out under adult supervision.
- › Ensure that fingers and legs are clear of all adjustments when adjusting this product.
- › Regularly check all fastenings to ensure that they properly tightened.
- › Use only on a level and stable surface.
- › Ensure children are clear of all moving parts before making any adjustments.
- › Do not use near stairs or steps.
- › When not in use, store away from children.
- › Use the highchair on a flat, even and horizontal floor and do not elevate the highchair on any structure or table.
- › To reduce the risk of injury, position the highchair away from furniture, walls, hot surfaces and liquids, window covering cords and electrical cords.
- › Position the highchair away from furniture when the chair is not being used at a table with the tray removed.
- › Do not use the highchair if any part is broken, torn or missing.
- › Regularly check all connections and/or fittings to ensure they are tight.
- › Do not use accessories or replacement parts other than those approved by the manufacturer.
- › Ensure all users are familiar with the products operation.
- › Ensure your highchair is fully erected before placing your child inside.
- › Do not allow your child to climb unassisted into, play with or hang onto the highchair. This is not a toy.
- › All additional hazards such as electrical flex should be kept out of the reach of children in the highchair.
- › Adult assembly is required.
- › When using the highchair at a table, ensure your child cannot push against the table or another surface as this could result in the chair tipping over.

Complies with EN 14988:2017+A1:2020; + AS4684 2009

## Child Seat Mode

**WARNING!** Suitable for children able to sit up unaided from 36 months (3 years) to approx. 10 years or 30kg.

# Introduction

## Features:

The highchair is perfect for growing children. It meets your child's changing needs year after year and the contemporary design makes it a great addition to any kitchen or dining room.

The seat of the highchair adjusts through 4 heights as your child grows, while the sturdy footrest adapts to 8 different positions to keep babies and toddlers comfortable and supported.

The tray height is just right for most tables, positioned just above table top-level to keep baby close at family mealtimes. It can be removed to help make tidying up after baby easy.

The bumper bar and 5-point safety harness ensures baby stays safe and secure in the seat. Once your child is approx. 3 years old, these can be removed to make room for growing children.

Lower or remove the footrest as needed to make the Baby to Toddler highchair the perfect seat for years to come.

## Intended Use:

This product is for domestic use only and not for commercial or trade use.

This product can only be used indoors. Do not use outdoors.

## Assembled Dimensions:

H: 90.5cm, W: 49cm, D: 46cm


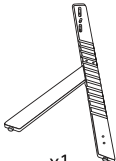






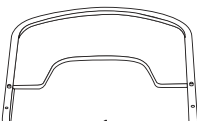

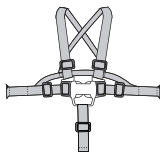




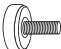
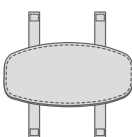
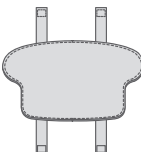
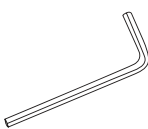
Weight: 7.9kg

# Parts List

## Check what you have received:

You have received 1 box. Please check the contents of the box against the list below. If anything is missing, please contact Customer Service.

## Supplied in box:

A  x1	B  x1	C  x1	D  x1
E  x1	F  x3	G  x1 (23cm H)	H  x1 (29.3cm H)
I  x1	K  x2	L  x1	M  x10 (47mm L)
N  x2 (36mm L)	O  x4 (12mm L)	P  x12	Q  x4
R  x1	S  x1	T  x1	

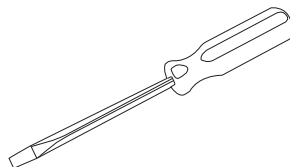
# Assembly

## Requirements:

Equipment: flat head screwdriver

1m x 1m of assembly space required

30 minutes assembly time approximately.



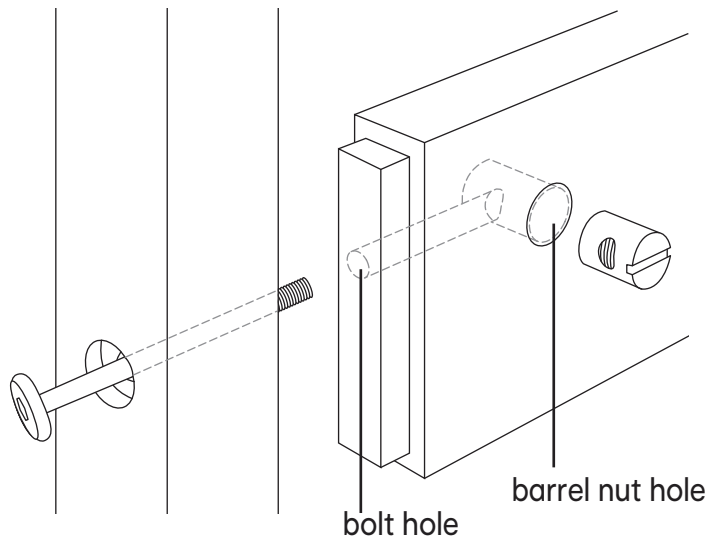
## Tips before you start:

1. Please check that all parts are present before you start the assembly of your furniture.
2. Assembly to be carried out by a competent adult only.
3. During assembly children should be kept away from the product due to possible risk of injury.
4. For ease and speed of assembly, we recommend that before you commence each step of the assembly, that you identify all the parts required for that step.
5. For larger items, please ensure that you have sufficient space and people to assemble your product safely.
6. We recommend that, where possible, all items are assembled near to the area in which they will be placed in use, to avoid moving the product unnecessarily once assembled.
7. For the protection of your furniture, we recommend that the product is placed on a protected surface during assembly to prevent any damage.
8. During assembly please take care not to over-tighten any fittings, as this may damage the product.
9. Always place the product on a flat, steady and stable surface.
10. Do not stand on the product. Do not use the product as a step ladder.
11. This product is intended for indoor, household use only as it is a non-industrial product.
12. Usage of power tools is not recommended for assembling this product.
13. Please use caution and care when lifting the product to avoid personal injury and / or damage.

# Assembly

## Using Barrel Nuts:

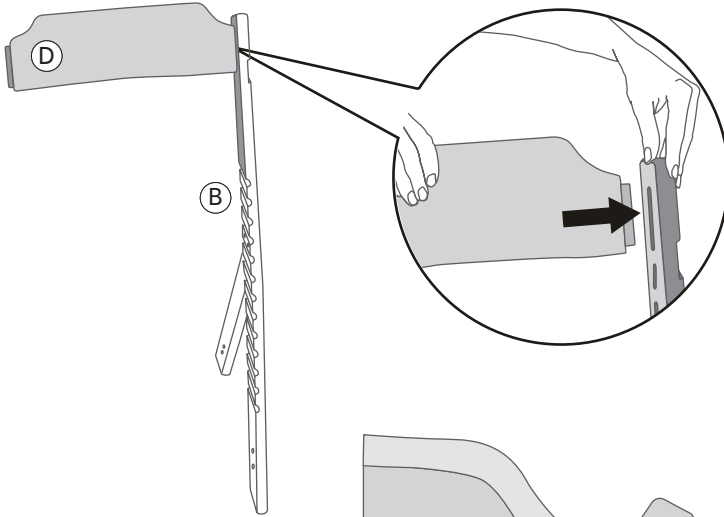
When fitting barrel nut (P), ensure starting position is correct before you insert connecting bolts.



# Assembly

## Step 1

Insert upper seat backrest (D) into side frame (B) as shown.

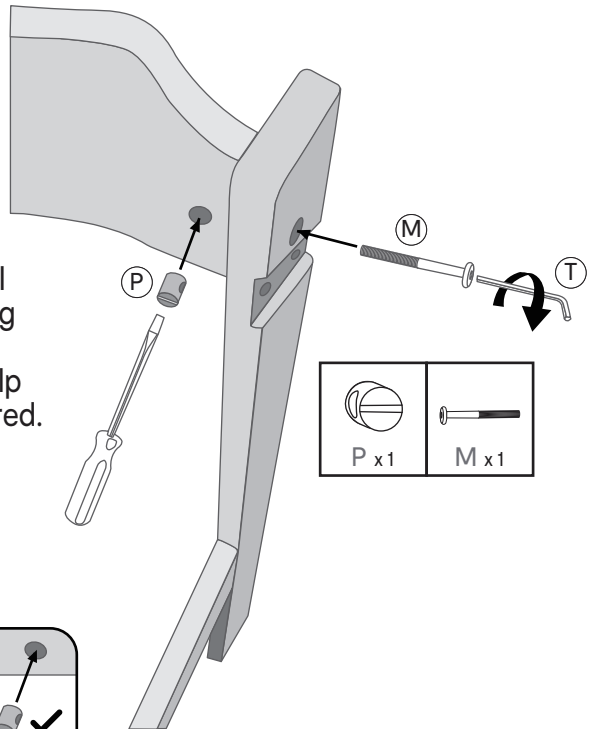


Insert barrel nut (P) into the barrel nut hole, ensuring that the starting position is correct.

Use a flat head screwdriver to help position the barrel nut (P) if required.

Insert connecting bolt (M) into the bolt hole and tighten the barrel nut (P) with allen key (T).

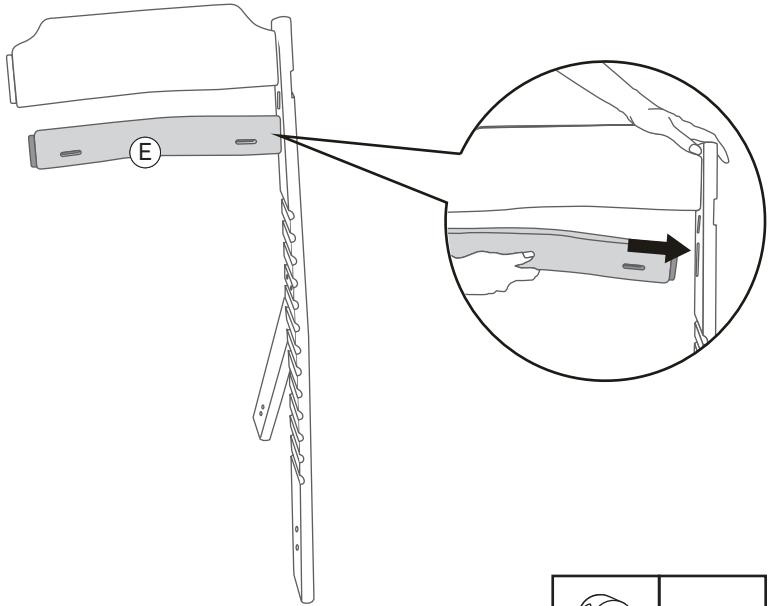
Note. DO NOT fully tighten bolt.





# Step 2

Insert lower seat backrest (E) into side frame (B) as shown.

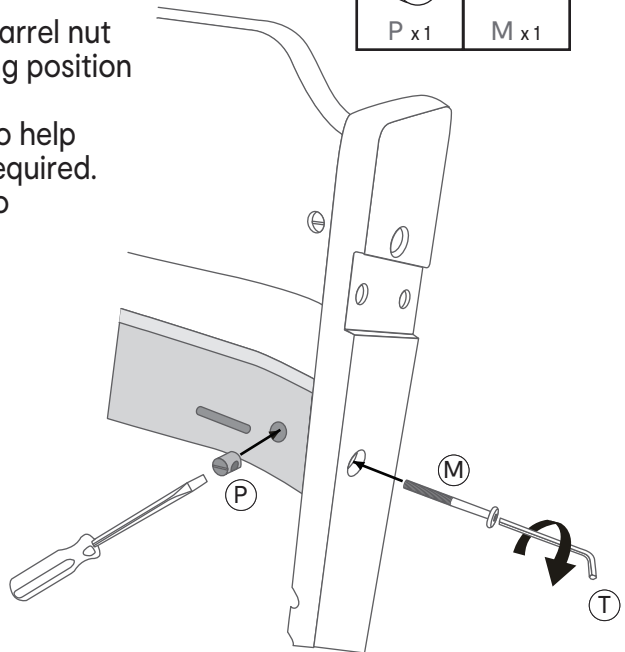
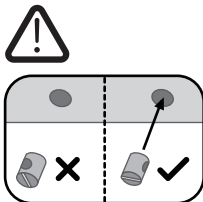
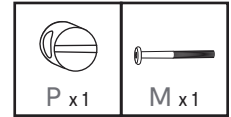


Insert barrel nut (P) into the barrel nut hole, ensuring that the starting position is correct.

Use a flat head screwdriver to help position the barrel nut (P) if required.

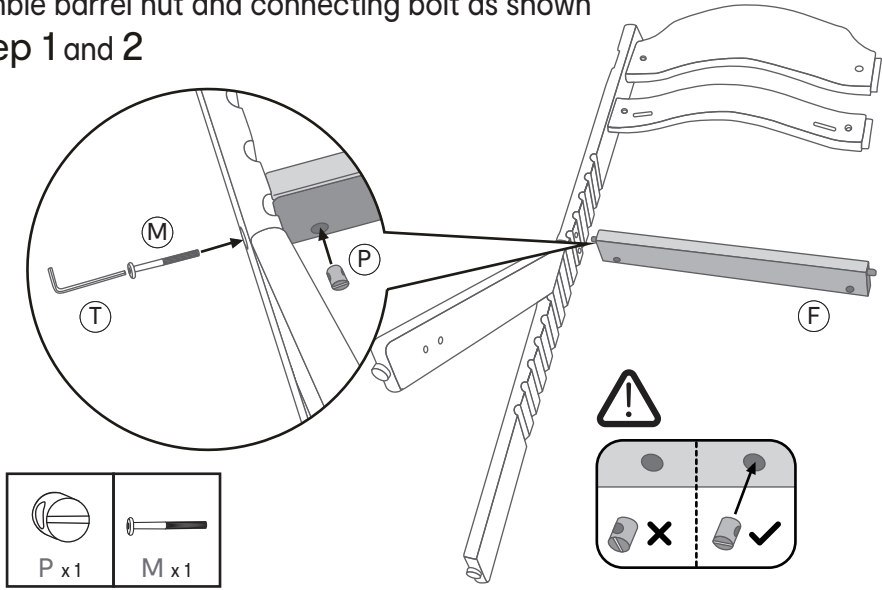
Insert connecting bolt (M) into the bolt hole and tighten the barrel nut (P) with allen key (T).

Note. DO NOT fully tighten bolt.



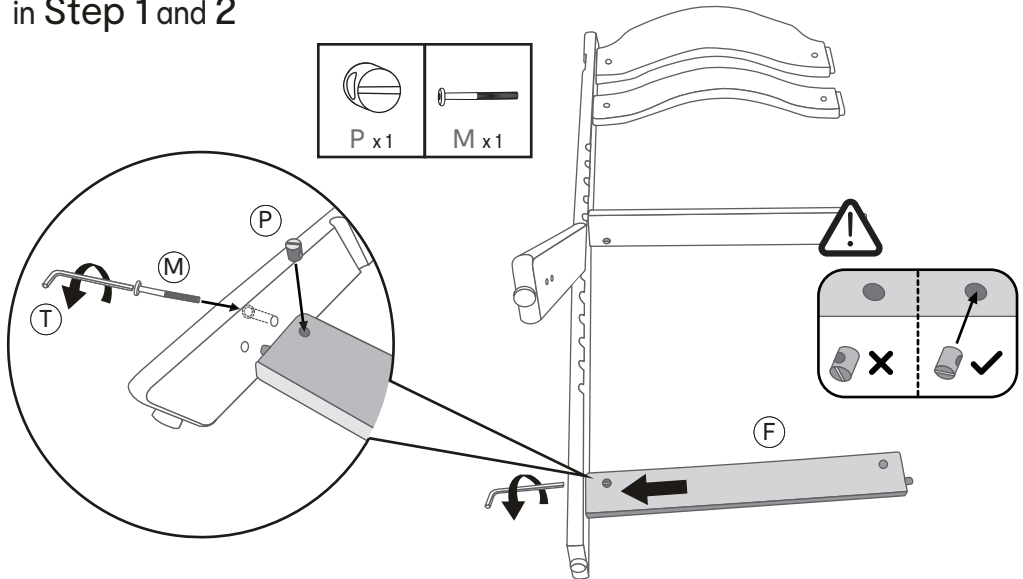
## Step 3

Insert one support bar (F) into side frame (B) as shown.  
Assemble barrel nut and connecting bolt as shown  
in Step 1 and 2



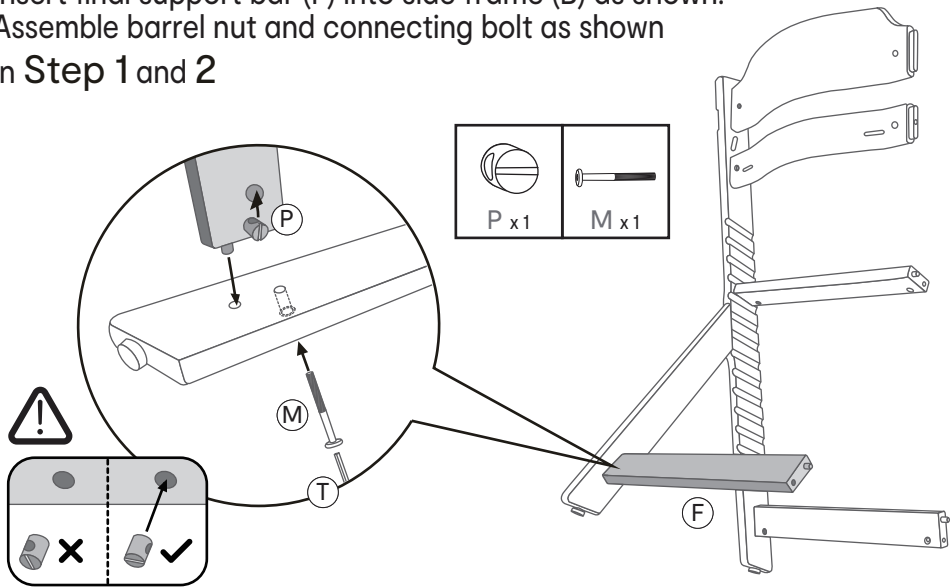
## Step 4

Insert second support bar (F) into side frame (B) as shown.  
Assemble barrel nut and connecting bolt as shown  
in Step 1 and 2



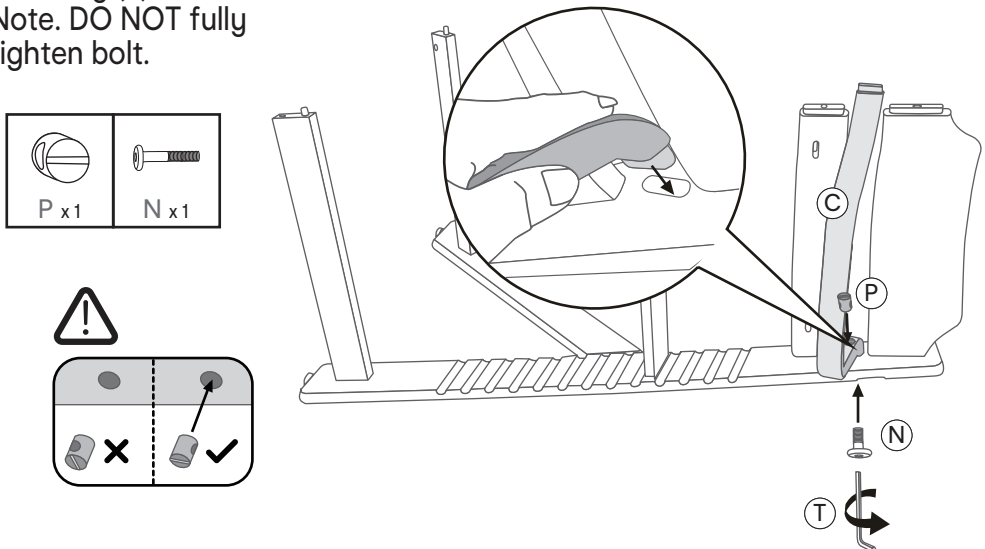
## Step 5

Insert final support bar (F) into side frame (B) as shown. Assemble barrel nut and connecting bolt as shown in Step 1 and 2



## Step 6

Insert bumper bar (C) into side frame (B) as shown. Insert barrel nut (P) into the barrel nut hole, ensuring that the starting position is correct. Insert connecting bolt (N) into the bolt hole and tighten the barrel nut (P) with allen key (T). Note. DO NOT fully tighten bolt.



# Step 7

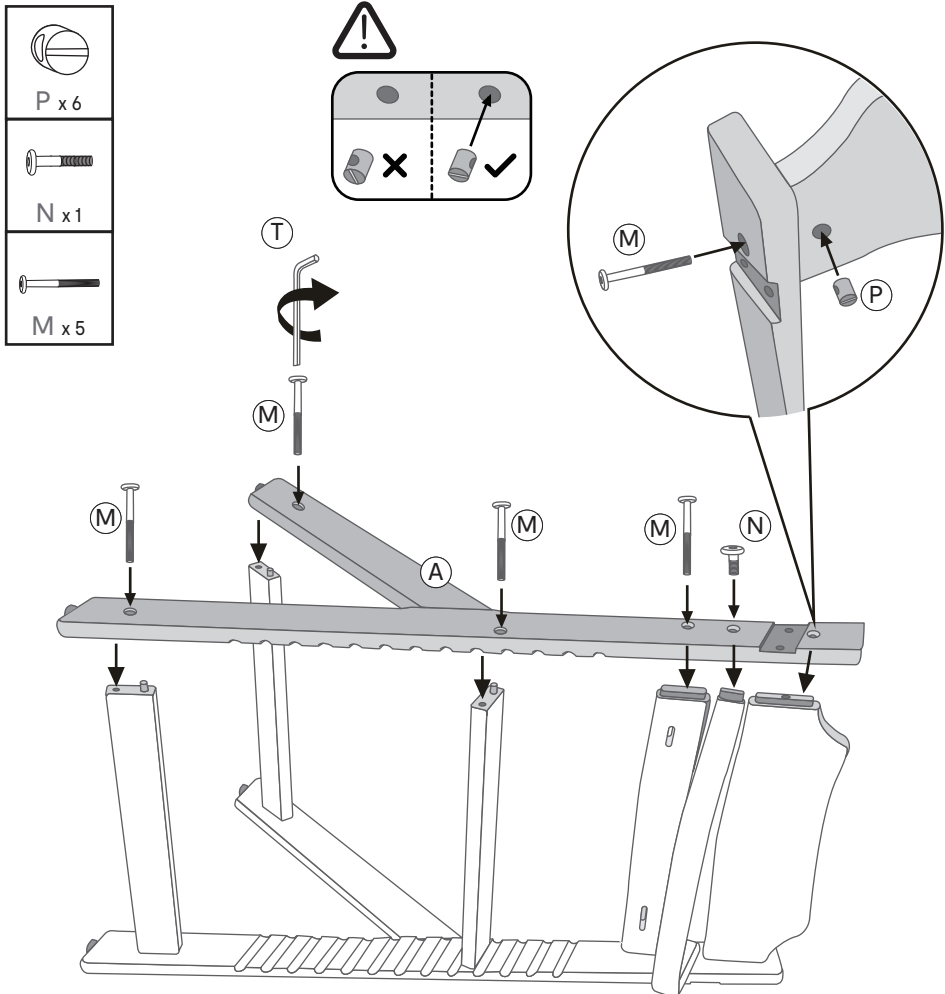
Attach side frame (A). Insert barrel nut (P) into the barrel nut holes, ensuring that the starting position is correct.

Insert connecting bolts (M) into the bolt hole on the seat backrests and support bars.

Tighten the barrel nut (P) with allen key (T).

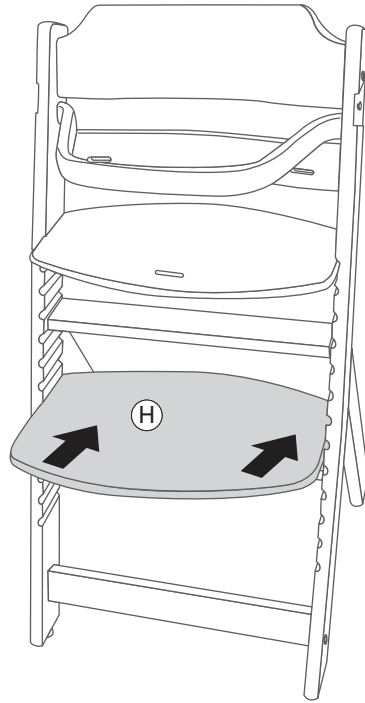
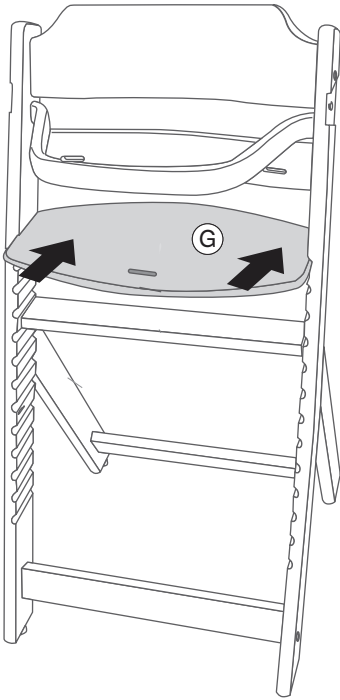
Insert connecting bolt (N) into the bolt hole on the bumper bar and tighten the barrel nut (P) with allen key (T).

Note. DO NOT fully tighten bolts.

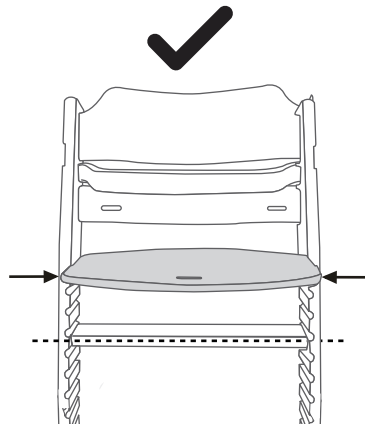
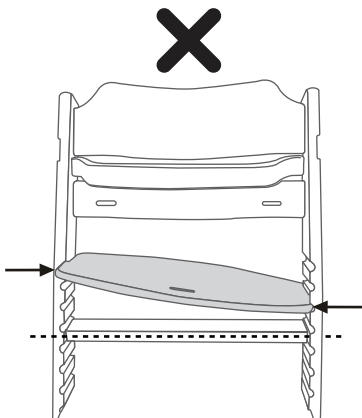


## Step 8

Slide the smaller board (G) and large board (H) into position as shown.

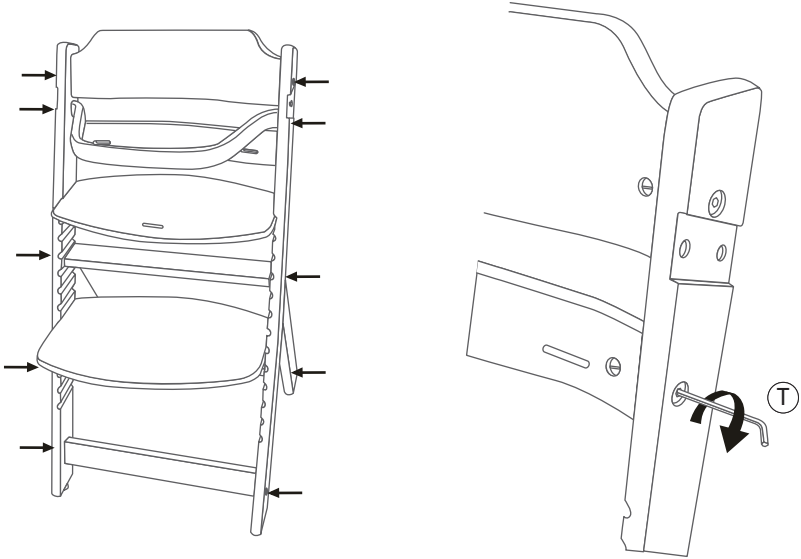


Ensure the boards are level before continuing.



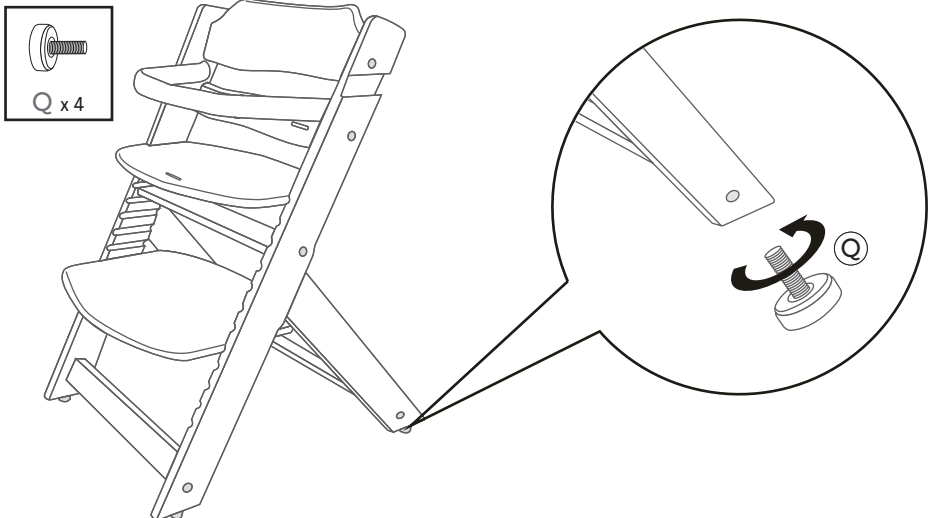
## Step 9

Once the boards are in position, fully tighten the bolts with allen key (T) on both sides of the highchair frame.



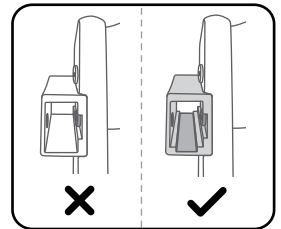
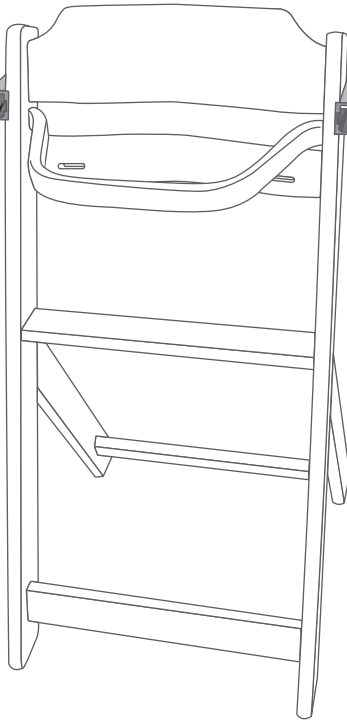
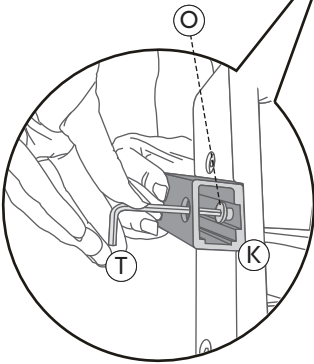
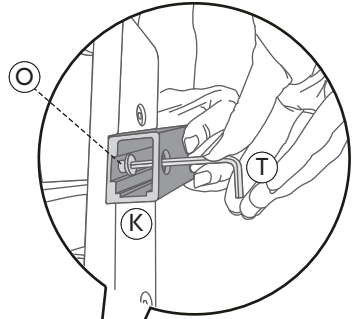
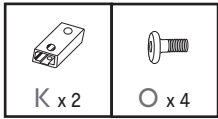
## Step 10

Screw the four feet stoppers (Q) into the bottom of the legs as shown.



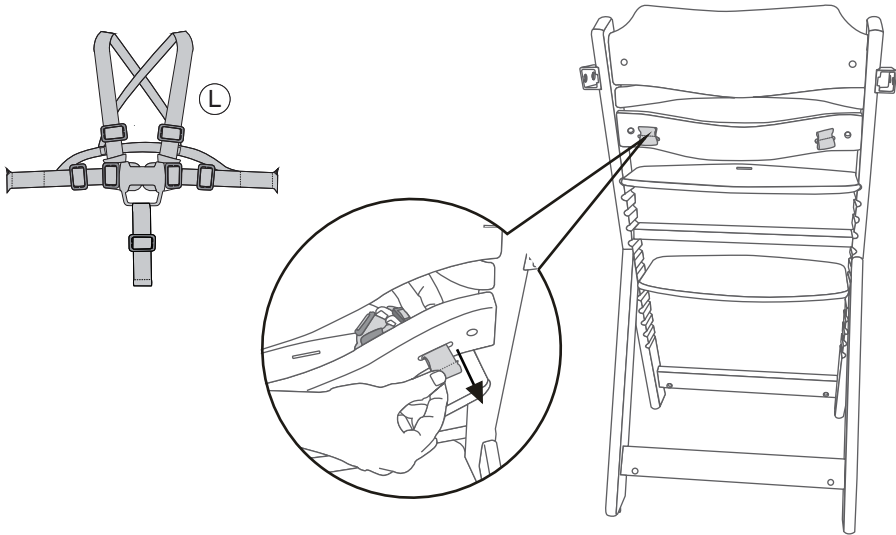
# Step 11

Assemble the tray holders (K) onto both sides of the frame. Position one tray holder (K) and insert two bolts (O). Tighten with allen key (T). Repeat for the other side.  
Be careful not to assemble the tray holders upside down. The groove should be at the bottom when assembled as shown.

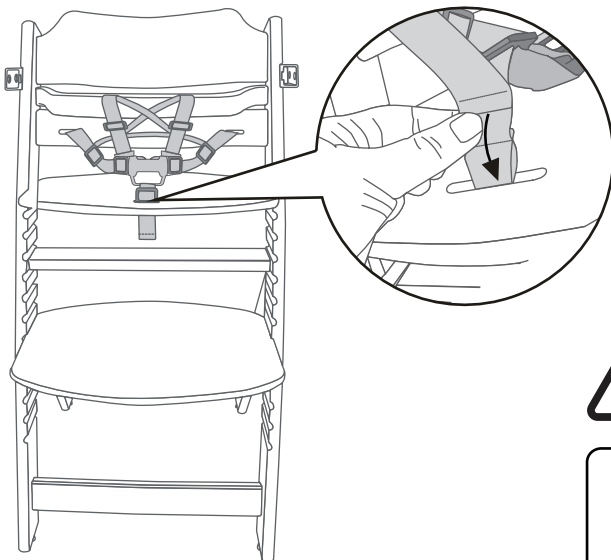


## Step 12

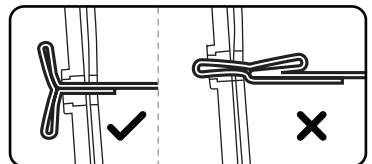
Attach harness (L) to the highchair. Rotate the harness retainers on the waist straps and thread the harness through the allocated slots in the lower seat backrest.



Rotate the harness retainer on the crotch strap and thread the harness through the allocated slot in the seat board.



**WARNING!**  
Ensure the harness retainers are fully through the slots before continuing.

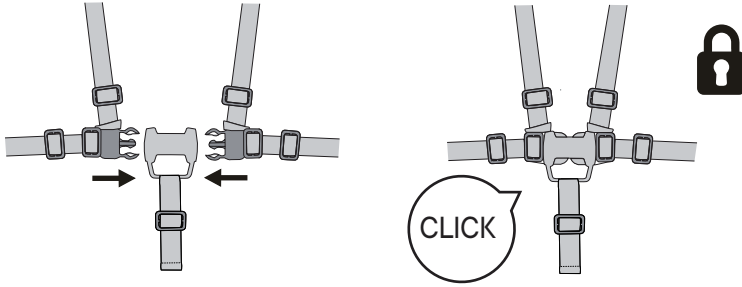




# Safety Harness

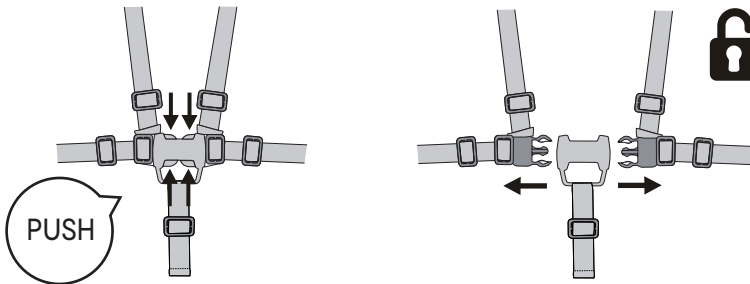
## Lock

Push the side clips into the centre buckle. Listen for the “click”.



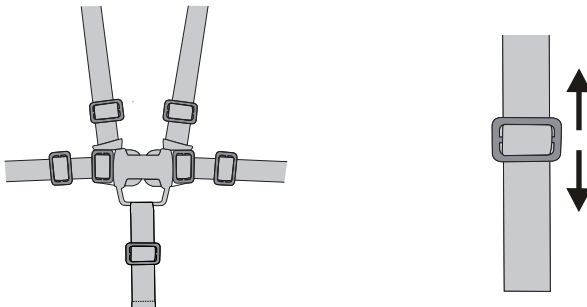
## Unlock

Push the side clips at points shown and remove from buckle.



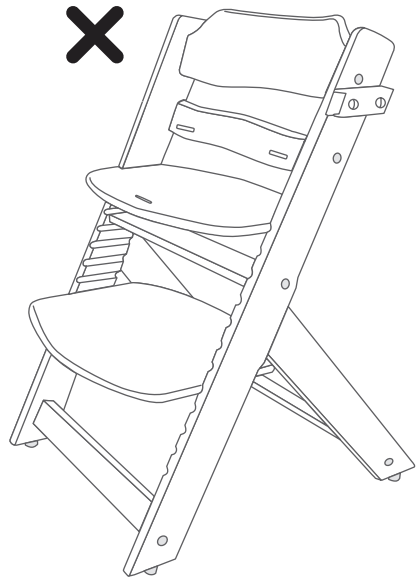
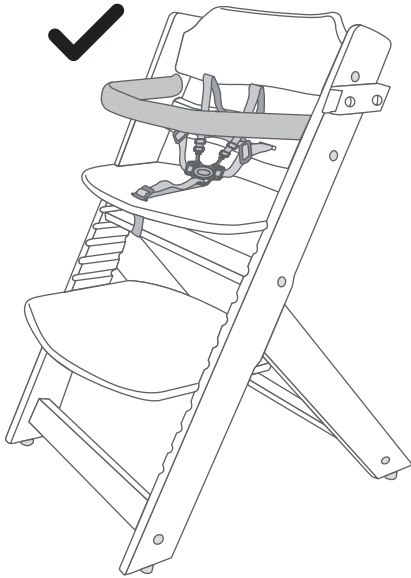
## Adjust

Sliding adjusters are fitted and should be adjusted to suit your child.  
**WARNING!** The child should be harnessed snugly and attended at all times.



# Highchair

Suitable from 6 to 36 months (15kg)

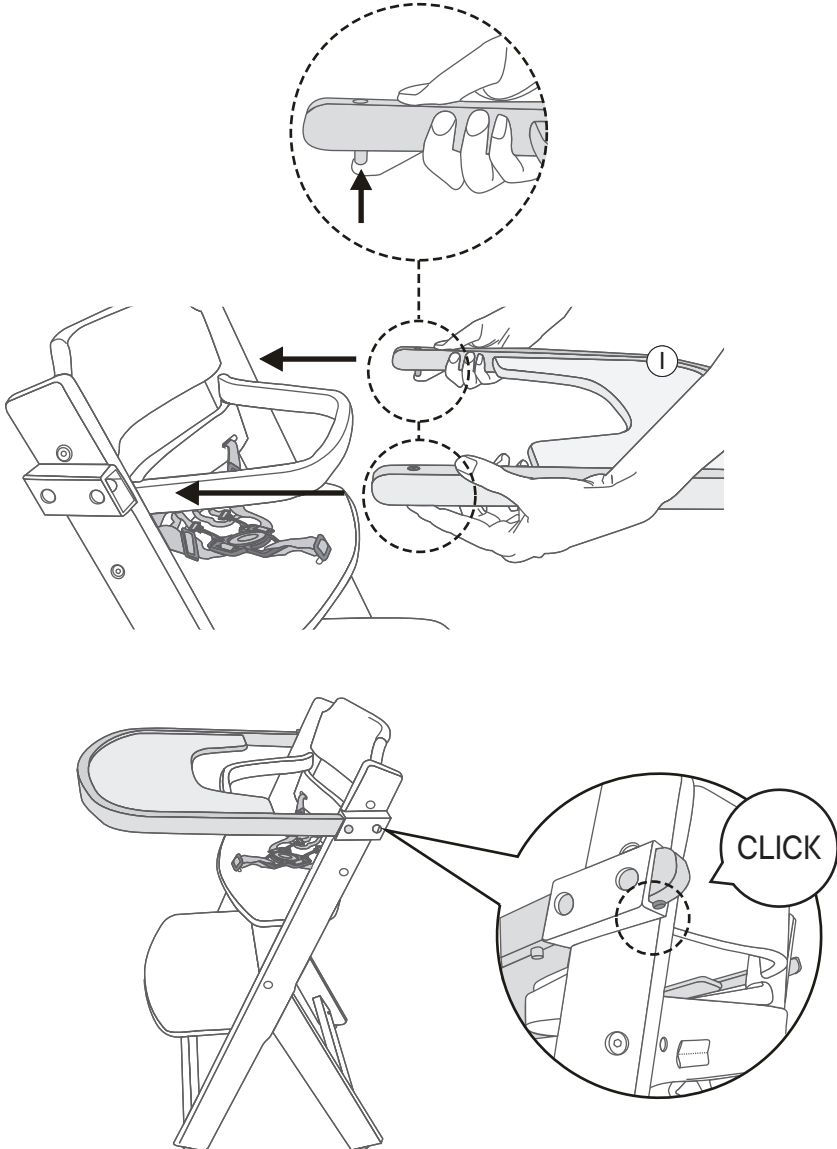


**WARNING!** The harness must always be used and correctly fitted. Most injuries from highchairs are caused by falls.

**WARNING!** Never use the highchair without the bumper bar (part C) and harness for a child aged 6 to 36 months (15kg).

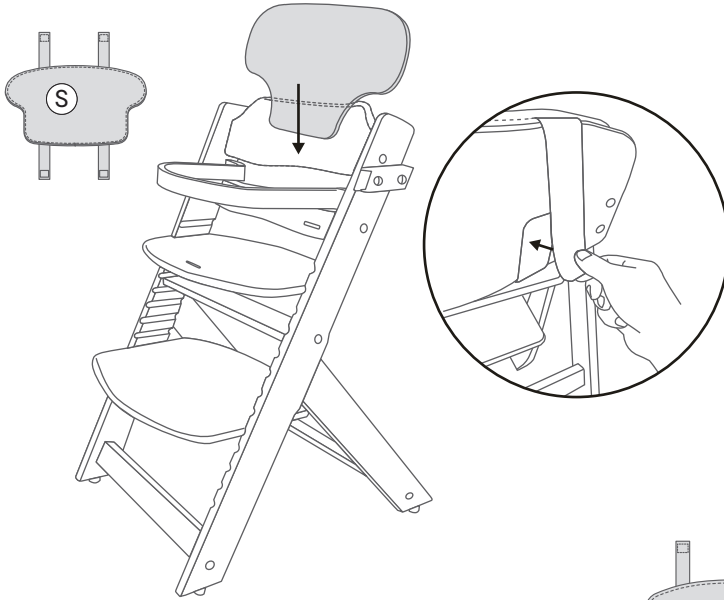
# Tray

Assemble the tray (I) to the highchair. Press in the spring pins and insert tray into tray holders. Push tray into tray holders until you hear a “click”.  
To remove, press in the spring pins and pull the tray out from the tray holders.

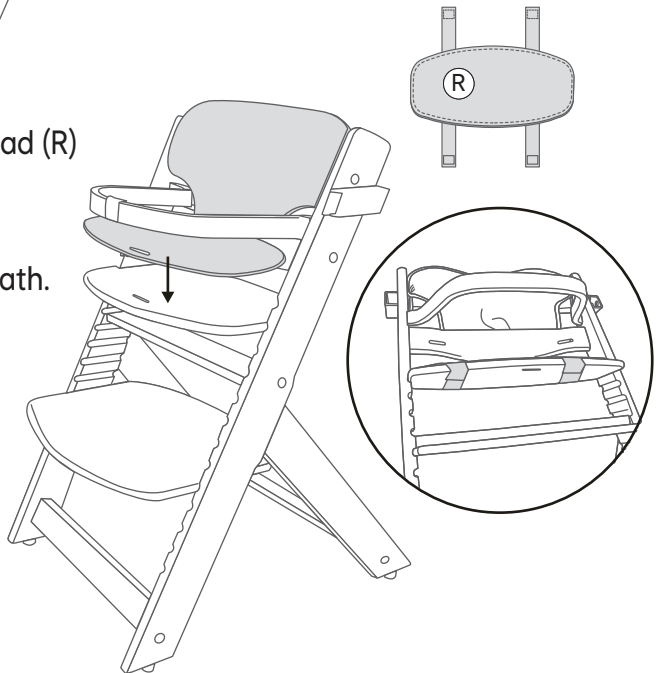


# Seat Pads

Seat Pads come supplied in two sections for the seat board and the backrest. Place the backrest seat pad (S) into position as shown. Wrap the straps around the backrest and fasten the fastening grips at the back.



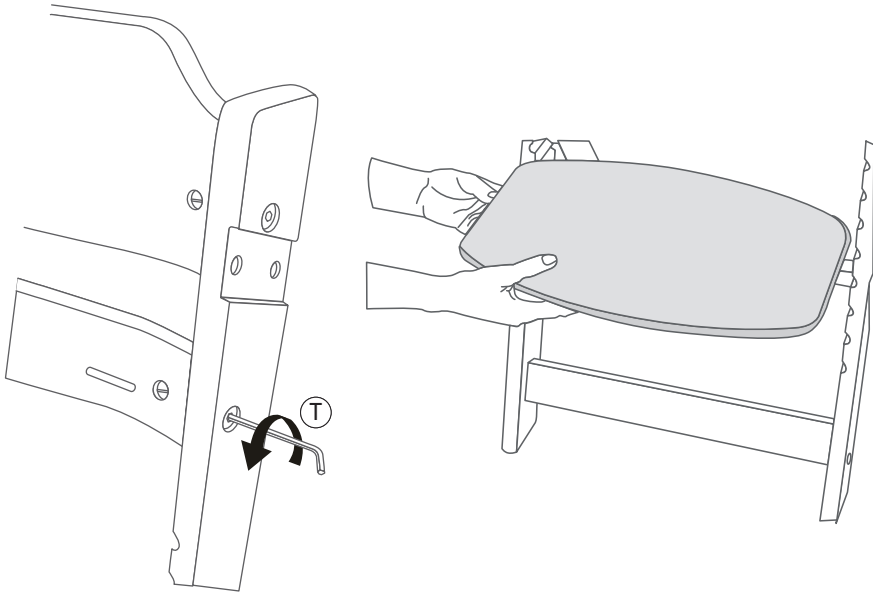
Place the seat board seat pad (R) into position as shown. Wrap the straps around the seat board and fasten the fastening grips underneath. To remove, undo the fastening grips.



# Height Adjustment

To adjust both board heights, loosen the bolts with allen key (T) on both sides of the highchair frame.

There are 4 seat height positions and 8 footrest positions.  
Adjust the boards to desired positions.



When boards are at desired position, re-tighten the bolts with allen key (T) on both sides of the frame.

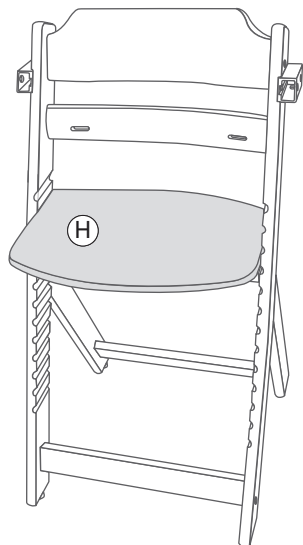
**WARNING!** Always ensure the seat height and footrest are at a comfortable and suitable height for your child.

# Child Seat

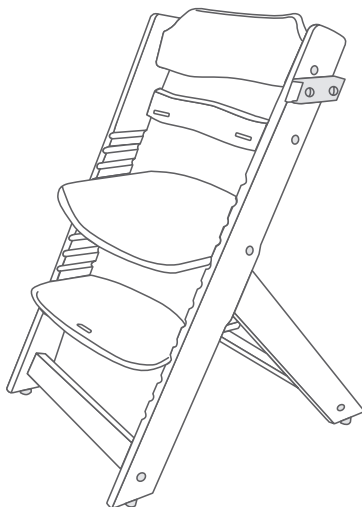
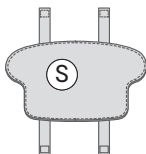
Suitable from 3 years to 10 years (30kg)

Loosen the bolts with allen key (T) on both sides of the highchair frame. To provide more seating space for your growing child, switch the board positions.

Insert the large board (H) into your desired seat height position and insert the smaller board (G) at your desired foot height position.



Note. the backrest seat pad (S) can be used in Child Seat mode. Attach to highchair as shown in Seat Pads.



# Care

## Cleaning

Pads and harness:

Wipe clean with damp cloth. Do not bleach. Do not tumble dry. Do not iron. Do not dry clean.

Frame, tray and bumper bar:

Wipe clean metal, wood or plastic components with mild detergent and warm water. Never use abrasive, ammonia based, bleach based or spirit type cleaners. Ensure the product is fully dry before use or storage. Store product in a dry location away from any heat sources and direct sunlight.

## Maintenance

This product requires regular maintenance to keep it in good working order. Regularly check all parts of the product to ensure that they are operating correctly and for signs of wear or damage.

Before use, always check for any missing parts, torn material or if it is broken or damaged. Replace parts as needed by contacting Customer Service. NEVER USE if parts are missing or damaged.

Use only parts and accessories approved by the manufacturer.

## Disposal

Electrical and electronic equipment should not be mixed with general household waste.

For proper treatment, recovery and recycling, please take this product to designated collection points. Please contact your local authority for further details of your nearest designated collection point.

Disposing of this product correctly will help save valuable resources and prevent any potential negative effects on human health and the environment, which could otherwise arise from inappropriate waste handling.

The cardboard and paper packaging from this product can be recycled.

KEYCODE: 42967729

Made in China

FOR AU / NZ: IMPORTED FOR KMART  
STORES IN AUSTRALIA AND NEW  
ZEALAND.

**KMART CUSTOMER SERVICE**  
**AU:1800 124 125 NZ:0800 945 995**