

anko

Blender
BL9005-CB
User Manual



**PLEASE READ AND SAVE THESE
INSTRUCTIONS FOR FUTURE REFERENCE**

IMPORTANT SAFEGUARDS

When using the electrical appliance, the below basic safety precautions should be followed:

1. Read all instructions.
2. Before using check that the voltage power corresponds to the one shown on the appliance nameplate.
3. Do not let cord hang over edge of table or counter.
4. **Do not leave the product unattended while it is in use**, especially when children are present.
5. Do not immerse power cord, plug, or product in water or other liquids. If the product falls into water, disconnect from mains power outlet immediately. **Do not touch or reach into the water.**
6. Do not place on or near a hot gas or electric burner, or in a heated oven.
7. Never operate this product if it has a damaged Power Cord or plug, is not working properly, has been dropped or damaged, or if the Base has been exposed to water or other liquids. Do not attempt to examine or repair this product yourself. Any repairs to the product should be carried out by a qualified electrical person only or the product must be disposed.
8. Do not operate any appliance with a damage cord or plug or after the appliance malfunction or has been damaged in any manner.
9. If the supply cord is damaged, it must be replaced by qualified electrical person in order to avoid a hazard or the product must be disposed of.
10. This appliance is not intended for used by persons (including children) with reduced physical, sensory or mental capabilities, or lack of experience and knowledge, unless they have been given supervision or instruction concerning use of the appliances by a person responsible for their safety.
11. Children should be supervised to ensure that they do not play with the appliance.
12. Avoid contacting moving parts.
13. Blades are sharp, so handle carefully.
14. The use of attachment, including jar, jar lid, not recommended or sold by manufacturer may cause fire, electric shock or injury.
15. The appliance cannot be used for blending hard and dry substance, otherwise the blade could be blunted or damaged.
16. Unplug from mains power outlet when not in use, before putting on or taking off parts, and before cleaning.

17. To protect against risk of electric shock, do not put motor unit or power cord in water or other liquid.

18. Do not use outdoors.

19. Keep hands and utensils away from the blades to avoid severe injury to persons or damage to the appliance. Do not use the blender only when the blender is not running.

20. To reduce the risk of injury, do not disassemble the jar properly attached.

21. Always operate blender with the cover in place.

22. **Warning: never use hot liquids or run the appliance empty.**

23. Be careful of potential injury from misuse.

24. Care shall be taken when handling the sharp cutting blades, emptying the bowl and during cleaning.

25. Always disconnect the appliance from the supply if it is left unattended and before assembling, disassembling or cleaning.

26. Switch off the appliance and disconnect from mains power before changing accessories or approaching parts that move in use.

27. This appliance is intended to be used in household and similar applications such as:

- Staff kitchen areas in shops, offices and other working environments;
- Farmhouses;
- By clients in hotels, motels and other residential type environments;
- Bed and breakfast type environments.

IMPORTANT!

Do not blend hot liquids.

Be careful if hot liquid is poured into the blender, it can be ejected out of the appliance due to sudden steaming.

To prevent damage to the electric motor, the maximum operating time is 30 seconds. Allow it to rest for 1 minute before using it again. After 5 cycles of operation, allow the blender to cool down to room temperature for approximate 30 minutes before using it again.



Do not put motor unit or power cord in

water or other liquid. Do not use outdoors. Keep hands and utensils away from the blades to avoid severe injury to persons or damage to the appliance. Do not use the blender only when the blender is not running.

To reduce the risk of injury, do not disassemble the jar properly attached.

Always operate blender with the cover in place.

Warning: never use hot liquids or run the appliance empty.

Be careful of potential injury from misuse.

Care shall be taken when handling the sharp cutting blades, emptying the bowl and during cleaning.

Always disconnect the appliance from the supply if it is left unattended and before assembling, disassembling or cleaning.

Switch off the appliance and disconnect from mains power before changing accessories or approaching parts that move in use.

This appliance is intended to be used in household and similar applications such as:

- Staff kitchen areas in shops, offices and other working environments;
- Farmhouses;
- By clients in hotels, motels and other residential type environments;
- Bed and breakfast type environments.

IMPORTANT!

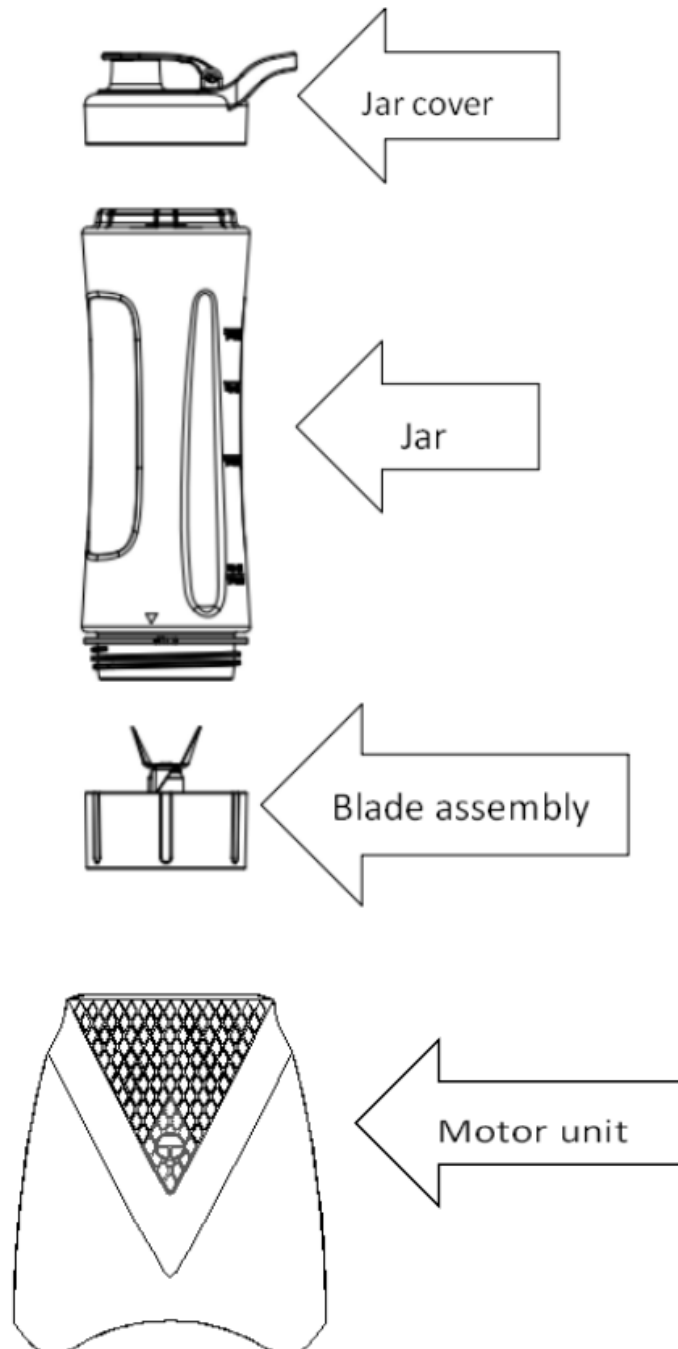
Do not blend hot liquids.

Be careful if hot liquid is poured into the blender, it can be ejected out of the appliance due to sudden steaming.

To prevent damage to the electric motor, the maximum operating time is 30 seconds. Allow it to rest for 1 minute before using it again. After 5 cycles of operation, allow the blender to cool down to room temperature for approximate 30 minutes before using it again.

Save these instructions

KNOW YOUR BLENDER



BEFORE YOUR FIRST USE

Check that the accessories are complete, and the unit is not damaged. Pour a little water into the jar and mix according to the steps below for one or two times, then pour out. Clean the jar and the jar lid thoroughly with warm water.

WARNING: The blade is sharp. Handle it carefully.

OPERATION INSTRUCTIONS

1. Place the motor unit on the flat surface. Make sure the product is not connected to mains power.
2. Place the jar on a flat surface with the open ending facing up. Fill the jar with your favorite ingredients. Be sure not to fill ingredients exceeding the 600ml marking.

Note: The appliance can blend ice cubes not larger than 2cm X 3cm in size.

Note: For optimal performance, place desired ingredients in the jar according to the following order: liquids, fresh ingredients, frozen fruit, yogurt and ice cream.

3. It must be noted that fruits or vegetables should be peeled or cored and then cut into small dices. Generally, the size of fruit or vegetable dices is 15×15×15mm. The seedcase of fruit or vegetable must be removed, such as carrots, strawberries, pineapples, lemons, grapes, and tomatoes.

IMPORTANT! To avoid damage to the product DO NOT blend hard or dry ingredients.

Recipe

FOOD TYPE	SPEC	WEIGHT	TIME
Carrot	Cut into 15mm*15mm*15mm	Carrot: 200g Water: 300g	30s

Note: Never use boiling liquids or run the appliance empty.

4. Assemble the blade assembly on the opening end of the jar by turning it in clockwise direction.
5. Upend the assembly of jar and blade assembly, insert them into the motor unit. Make sure the arrow on the motor unit is aligned with the blade assembly, then turn it in a clockwise direction to lock it in place.
6. Connect the plug into mains power and the appliance will start operating.

IMPORTANT! To prevent damage to the electric motor, the appliance can be operated without interruption for 30 seconds. Allow it to rest for 1 minute before using it again. After 5 cycles, allow it to cool down to room temperature for approximate 30 minutes.

7. When the operation is finished, turn the jar assembly anti-clockwise and the appliance will stop operating. Remove the jar and unplug the blender plug from the mains power outlet.
8. Upend the jar assembly, hold the jar with one hand, and turn the blade assembly in an anti-clockwise direction with the other hand to remove it.

9. Then assemble the jar lid on the jar. Take the jar with you throughout the day to stay hydrated. When you need a drink, you just need to open the spout lid to drink the contents from the jar.

Note: After you have consumed your blended beverage, wash out the jar and reuse it throughout the day for water or other cold liquids.

CAUTION! The blender is intended for blending fluids, e.g. dairy products, smoothies, fruit juices, mixed drinks, shakes etc. Do not blend hot liquid.

Avoid touching the sharp blades. If the blades get stuck, unplug the appliance first and remove the ingredients that are blocking the blades with a spatula.

CLEANING AND MAINTENANCE

The Auto Clean feature can clean the blender and blade assembly easily, rapidly in complete safety.

-Pour a little warm soapy water into the jar and mix for a few seconds in the blender by plugging into a mains power outlet.

-Remove the jar by turning it anti-clockwise and rinse under warm running water.

-Wipe the outer surface of Motor Unit with a damp cloth.

Warning: Do not use abrasive cleaners. For electrical safety, never immerse the Motor Unit in water for cleaning.

All parts except for the motor unit are dishwasher-safe. You can also wash the parts, except the motor unit, in warm, soapy water.

-Dry all parts and reassemble blade assembly to opening end of the jar and then place in the motor unit. Snap the jar lid on the other end of the jar.

IMPORTANT! If you incur any issue with the appliance during use, never attempt to disassemble the Motor Unit by yourself, there are no user serviceable parts inside. Contact a qualified electrical person for examination and repair.

STORAGE

1. Unplug and clean the unit.
2. Store in original box or in a clean, dry place.
3. Never store the blender while it is hot or while connected to mains power.
4. Never wrap the cord tightly around the appliance.

IMPORTANT! Never place any stress on the power cord, especially where the cord enters the unit, as this could cause the cord to fray and break.

TECHNICAL SPECIFICATION

Voltage: 220-240V~ 50-60Hz

Power: 300W

Jar Max. Capacity: 600mL

12 MONTH WARRANTY

Thank you for your purchase from Kmart.

Kmart Australia Ltd warrants your new product to be free from defects in materials and workmanship for the period stated above, from the date of purchase, provided that the product is used in accordance with accompanying recommendations or instructions where provided. This warranty is in addition to your rights under the Australian Consumer Law.

Kmart will provide you with your choice of a refund, repair or exchange (where possible) for this product if it becomes defective within the warranty period. Kmart will bear the reasonable expense of claiming the warranty. This warranty will no longer apply where the defect is a result of alteration, accident, misuse, abuse or neglect.

Please retain your receipt as proof of purchase and contact our Customer Service Centre on 1800 124 125 (Australia) or 0800 945 995 (New Zealand) or alternatively, via Customer Help at Kmart.com.au for any difficulties with your product. Warranty claims and claims for expense incurred in returning this product can be addressed to our Customer Service Centre at 690 Springvale Rd, Mulgrave Vic 3170.

Our goods come with guarantees that cannot be excluded under the Australian Consumer Law. You are entitled to a replacement or refund for a major failure and compensation for any other reasonably foreseeable loss or damage. You are also entitled to have the goods repaired or replaced if the goods fail to be of acceptable quality and the failure does not amount to a major failure.

For New Zealand customers, this warranty is in addition to statutory rights observed under New Zealand legislation.