

Assembly Instructions

42893912 SET OF 2 SIDE TABLES





CARE INSTRUCTIONS:

WIPE CLEAN WITH A DRY CLOTH. DO NOT USE ABRASIVE MATERIALS AND SOLVENTS. KEEP AWAY FROM WATER AND DIRECT SUNLIGHT. A MILD ODOUR MAY BE PRESENT WHEN FIRST OPENING THIS CARTON. SIMPLY ALLOW TO AIR OUTSIDE AND THIS WILL FADE. STORE IN A DRY PLACE. FOR INDOOR AND DOMESTIC USE ONLY.

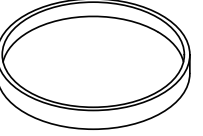
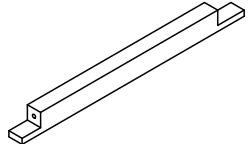
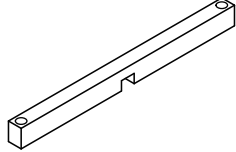
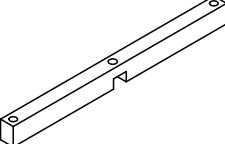
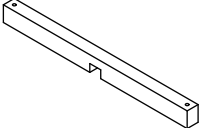
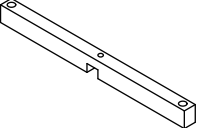
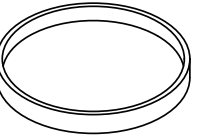
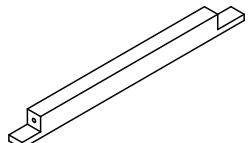
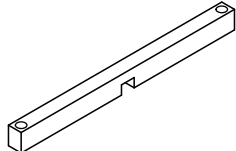
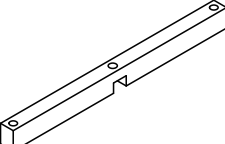
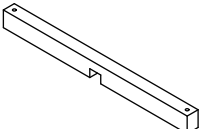
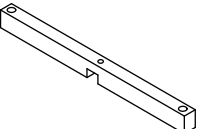
WARNING:

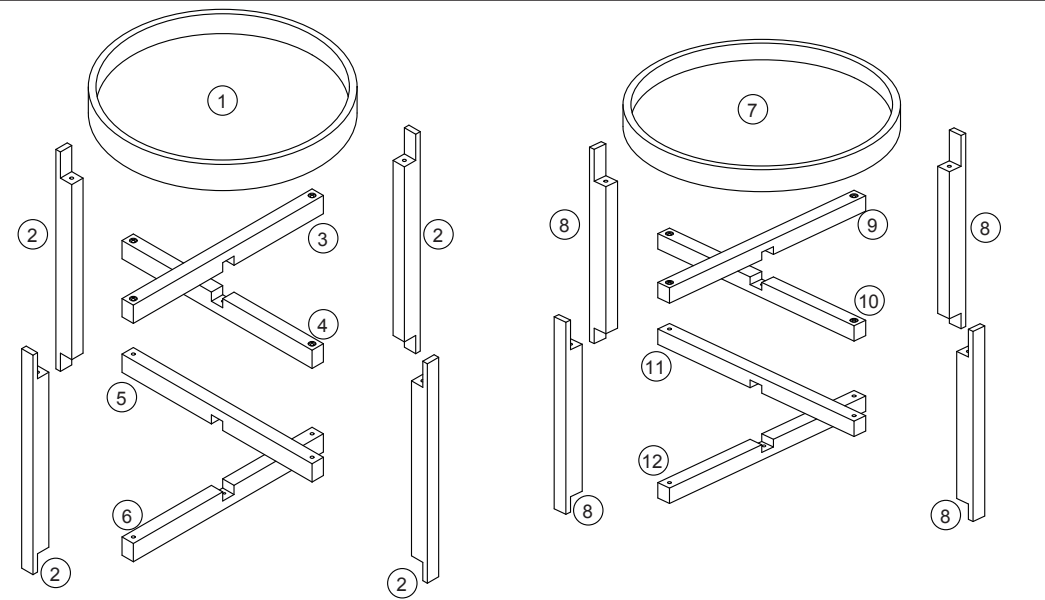
DO NOT STAND OR SIT ON THIS ITEM. DO NOT USE UNTIL ALL SCREWS ARE FIRMLY SECURED. DO NOT DRAG OR KNOCK THIS ITEM. USE ONLY ON A FLAT SURFACE. ADULT ASSEMBLY REQUIRED. LOAD TABLE EVENLY TO PREVENT TOP PANEL FROM TIPPING OVER. FAILURE TO FOLLOW THESE WARNINGS COULD RESULT IN SERIOUS INJURY. **MAXIMUM SAFE LOAD: 10KGS FOR BIG ONE, 5KGS FOR SAMLL ONE.**

1 Hardware List

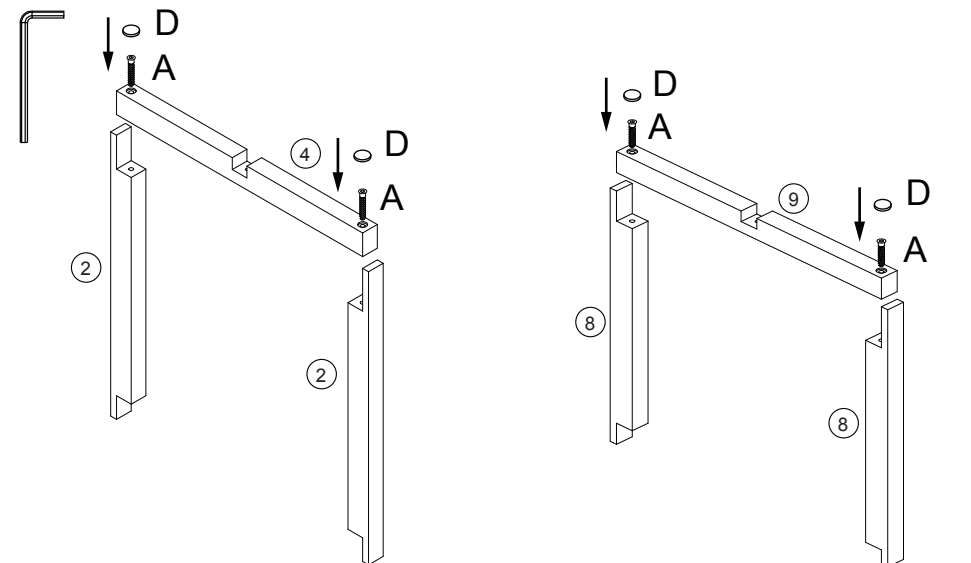
A		16pcs	B		4pcs	C		1pc	D		8pcs
---	---	-------	---	---	------	---	---	-----	---	---	------

2 Parts List

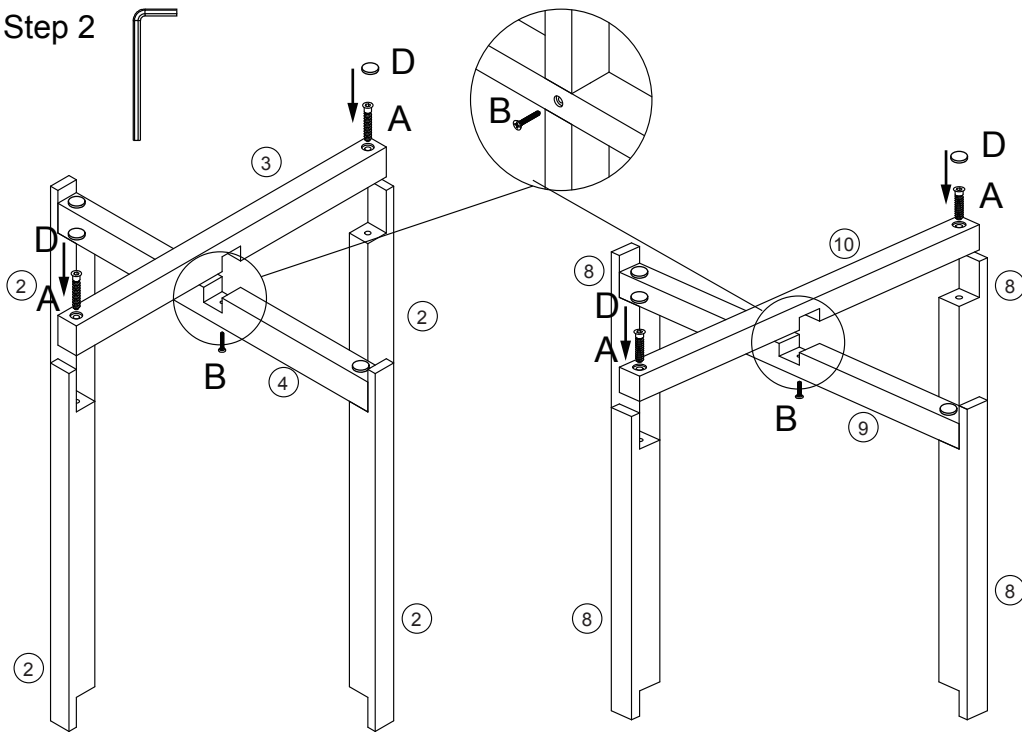
		
① 1pc	② 4pcs	③ 1pc
		
④ 1pc	⑤ 1pc	⑥ 1pc
		
⑦ 1pc	⑧ 4pcs	⑨ 1pc
		
⑩ 1pc	⑪ 1pc	⑫ 1pc



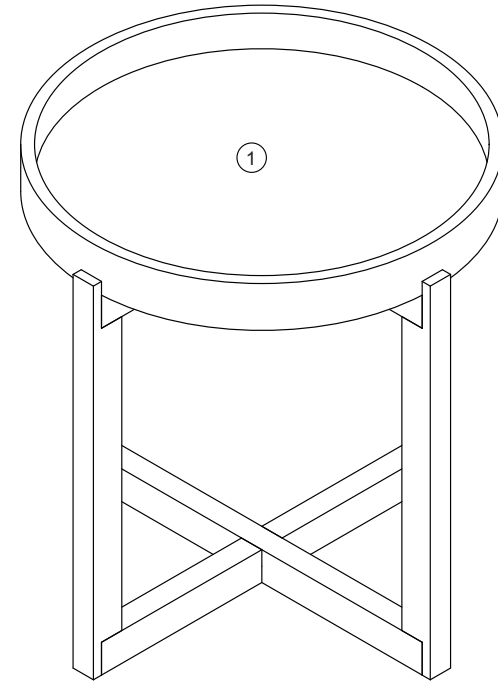
Step 1



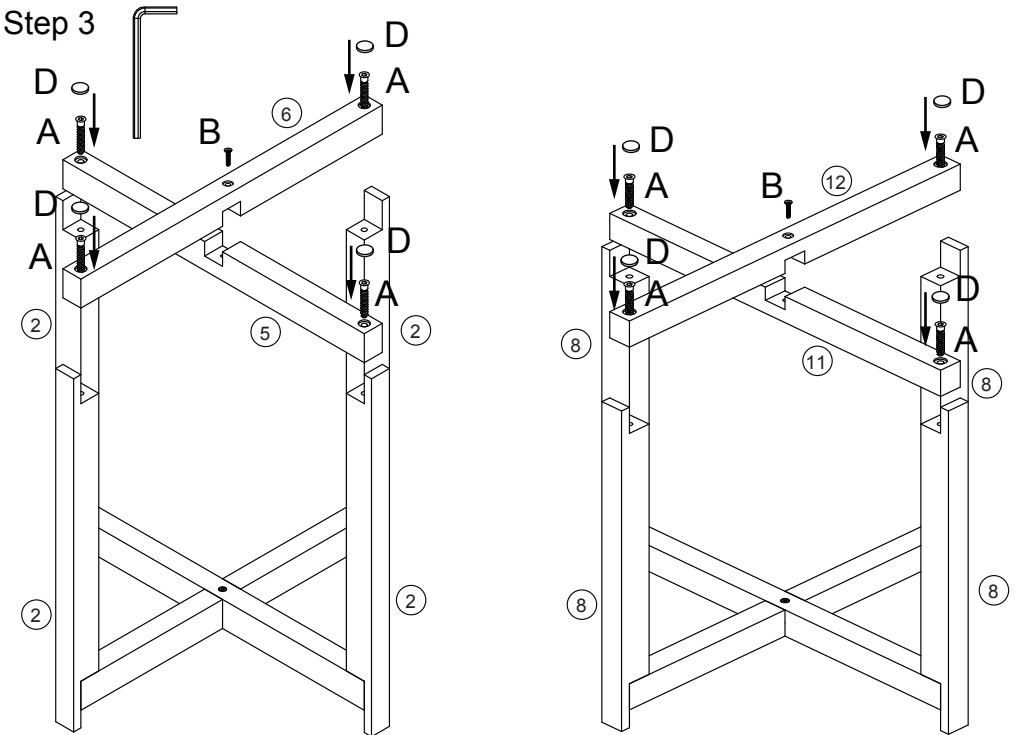
Step 2



Step 4



Step 3



Step 5

