

# Assembly Instructions

## 42893622 RATTAN SIDE TABLE

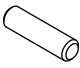
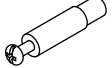


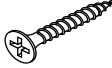








**CARE INSTRUCTIONS:**

WIPE CLEAN WITH A DRY CLOTH. A MILD ODOUR MAY BE PRESENT WHEN FIRST OPENING THIS CARTON. SIMPLY ALLOW TO AIR OUTSIDE AND THIS WILL FADE. DO NOT USE ABRASIVE MATERIALS AND SOLVENTS. KEEP AWAY FROM WATER AND DIRECT SUNLIGHT. DO NOT PLACE HOT ITEMS SUCH AS COFFEE CUPS DIRECTLY ON THE SURFACE. STORE IN A DRY PLACE. FOR INDOOR AND DOMESTIC USE ONLY.

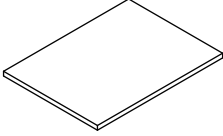
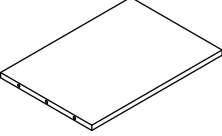
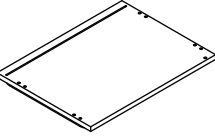

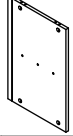
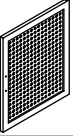
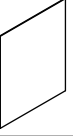

**WARNING:**

DO NOT STAND OR SIT ON THIS ITEM. DO NOT USE UNTIL ALL SCREWS ARE FIRMLY SECURED. USE ONLY ON A FLAT SURFACE. ADULT ASSEMBLY REQUIRED. FAILURE TO FOLLOW THESE WARNINGS COULD RESULT IN SERIOUS INJURY. **MAXIMUM SAFE LOAD: 10KGS FOR TOP PANEL, 5KGS FOR SHELF.**

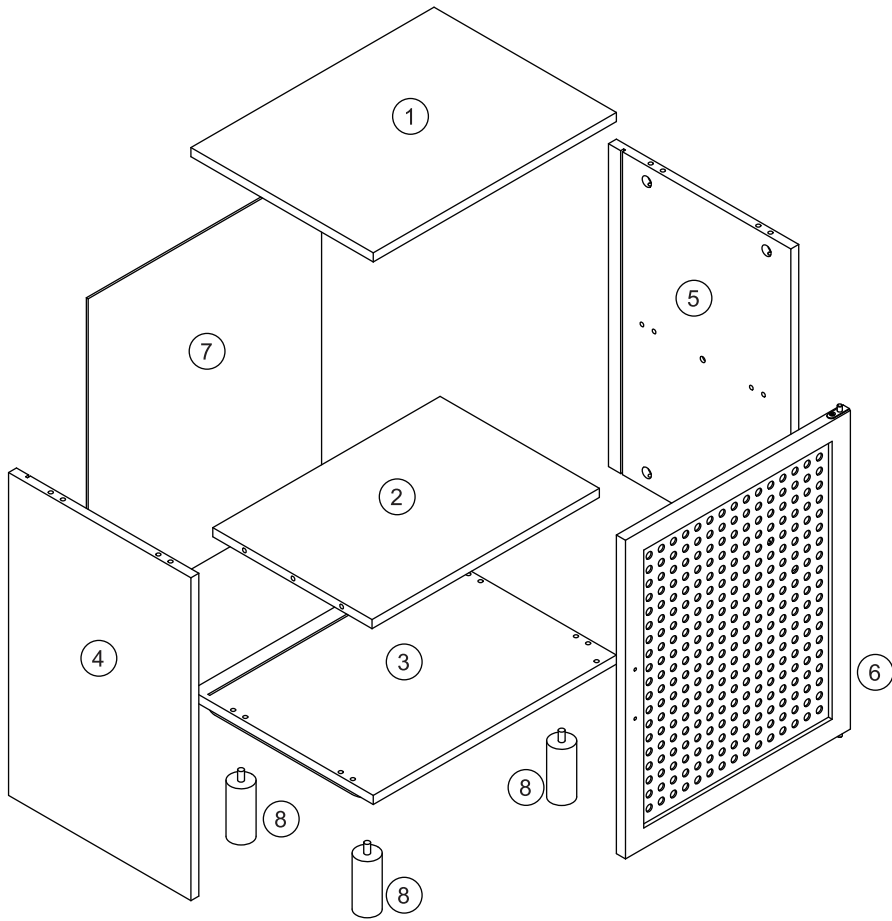
### 1 Hardware List

	A	6x30mm	10pcs		B		12pcs		C		12pcs
	D	M3x12 mm	5pcs		E	M4x30mm	2pcs		F		1pc
	G		4pcs		H	M3x18mm	4pcs		I		1pc
	J		2pcs		K		2pcs		L	M4x40mm	1pc
	M		1pc								

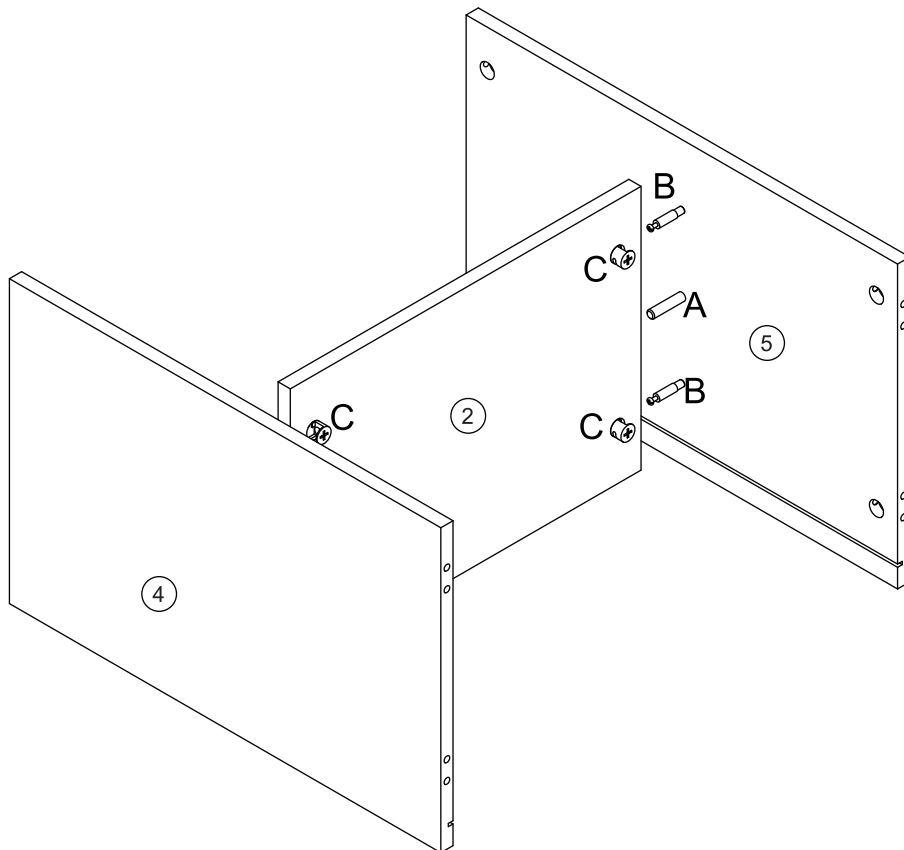
### 2 Parts List

							
①	1pc	②	1pc	③	1pc	④	1pc
							
⑤	1pc	⑥	1pc	⑦	1pc	⑧	4pcs

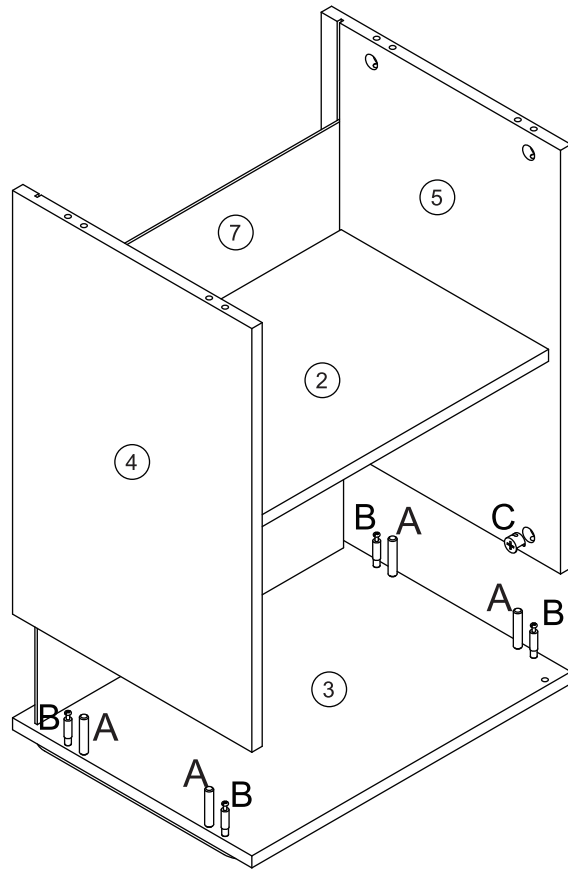
3



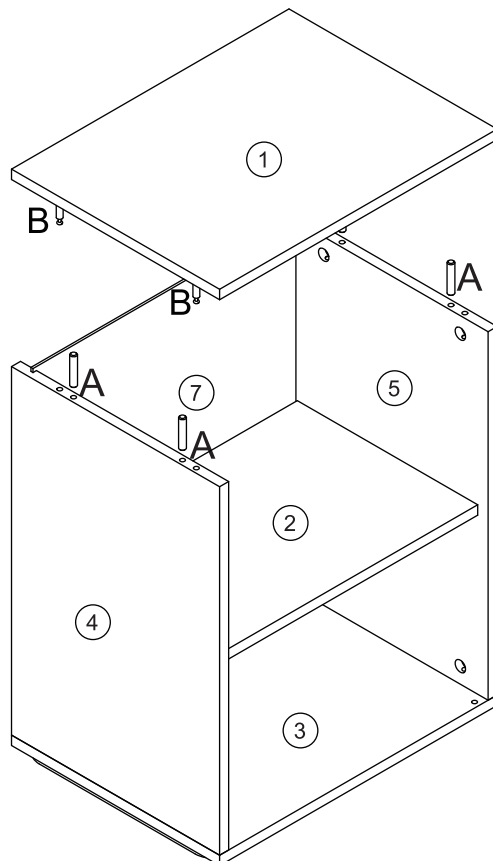
STEP 1



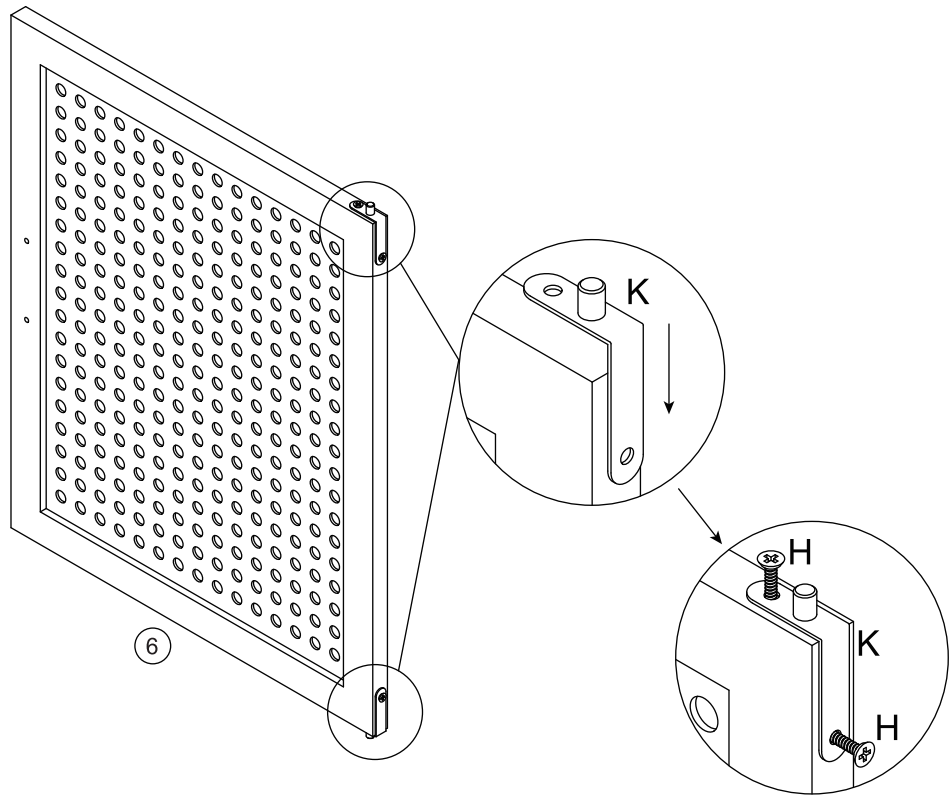
STEP 2



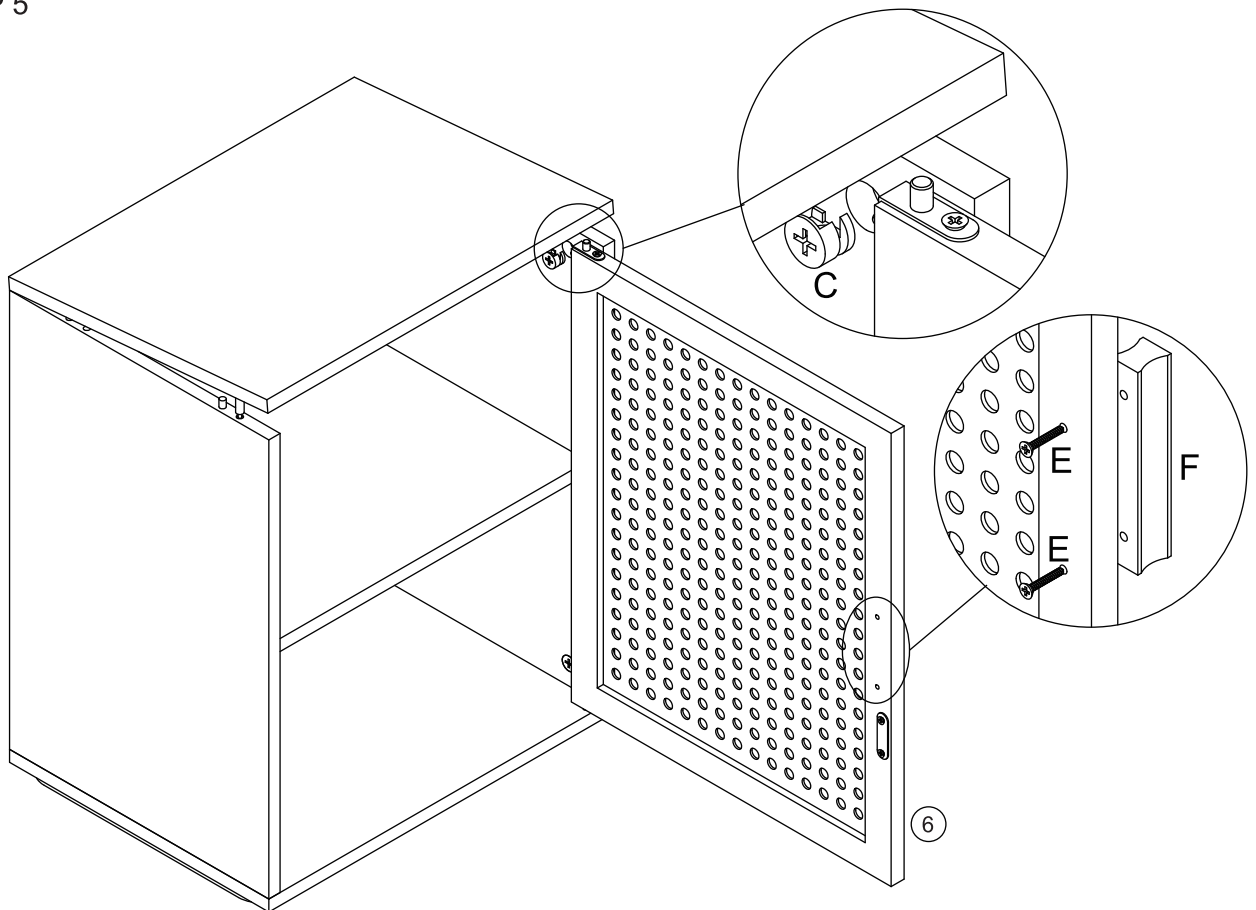
STEP 3



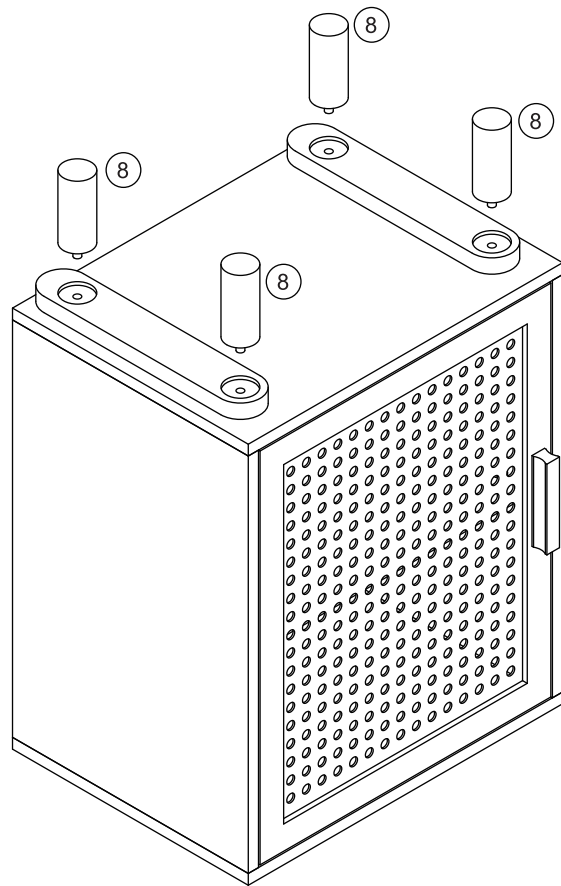
STEP 4



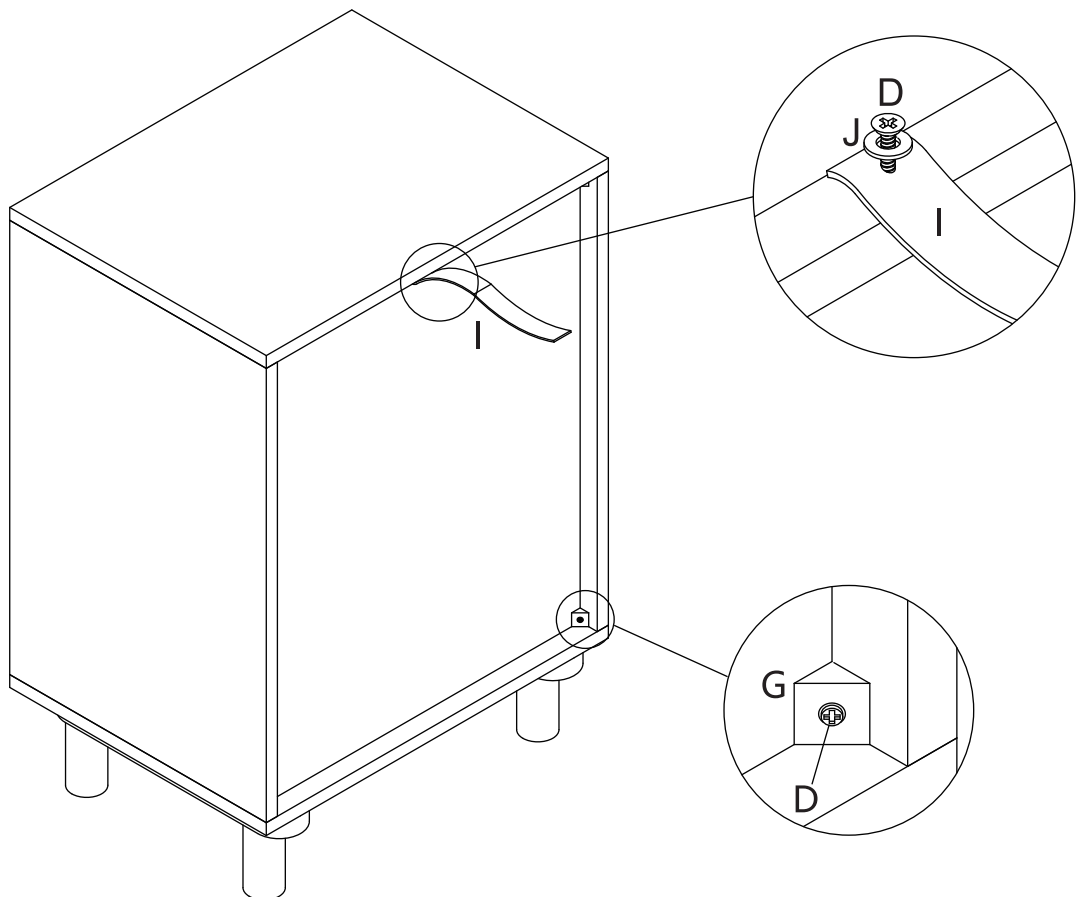
STEP 5



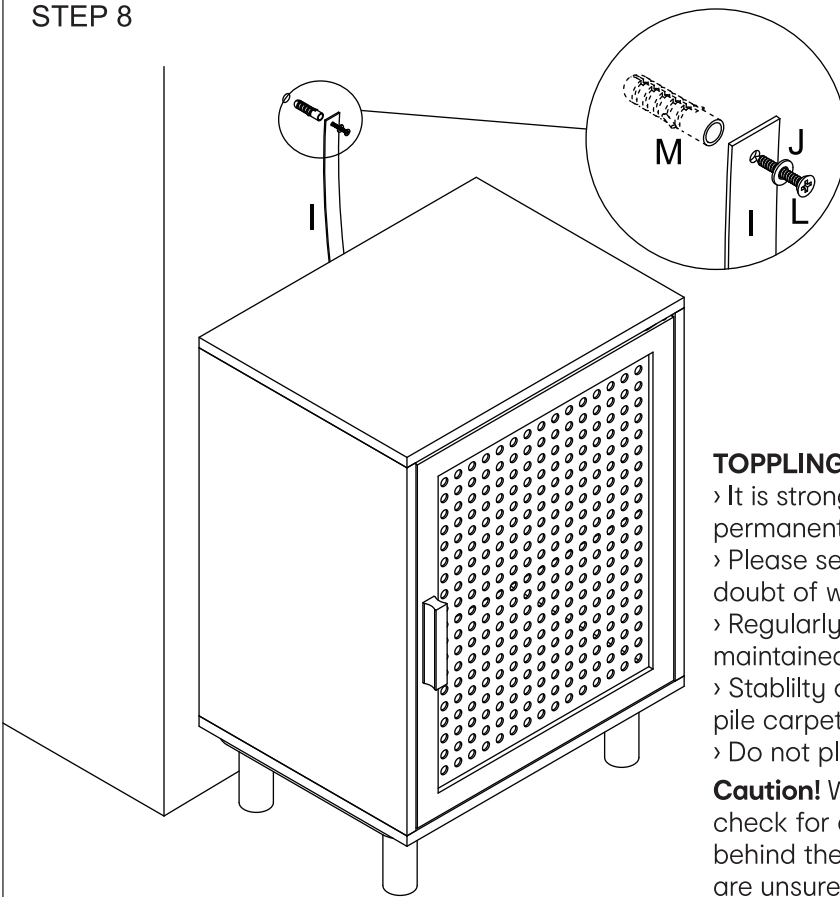
STEP 6



STEP 7



## STEP 8



### TOPPLING FURNITURE WARNING:

- › It is strongly recommended that this product is permanently fixed to the wall.
- › Please seek professional advice if you are in doubt of what fixing device to use.
- › Regularly check that anchors are securely maintained.
- › Stability of tall items may be affected by thick pile carpet or uneven floors.
- › Do not place unanchored televisions on furniture.

**Caution!** When attaching the anchor fixings, check for any electrical wires or plumbing behind the wall before drilling any holes (if you are unsure, please seek professional advice from a qualified tradesperson).

## STEP 9

