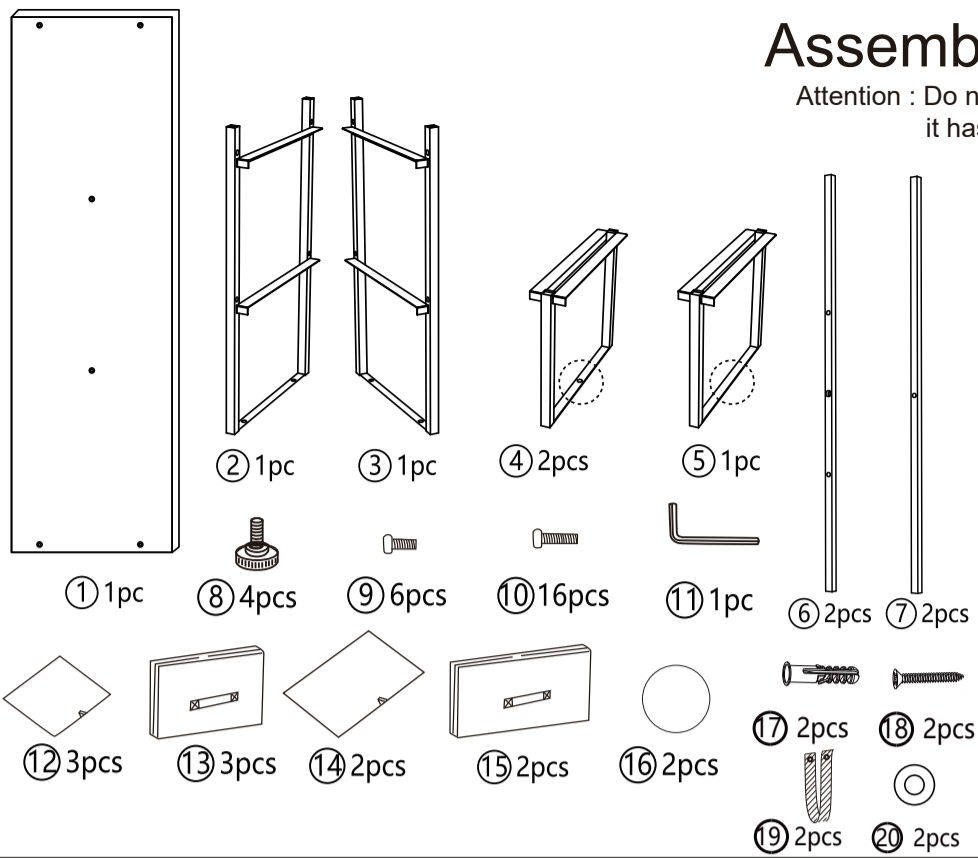
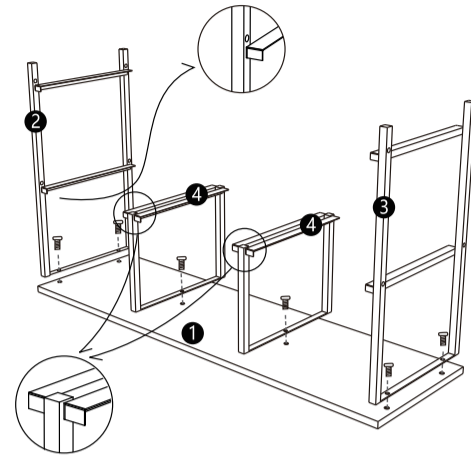


Assembly Instructions

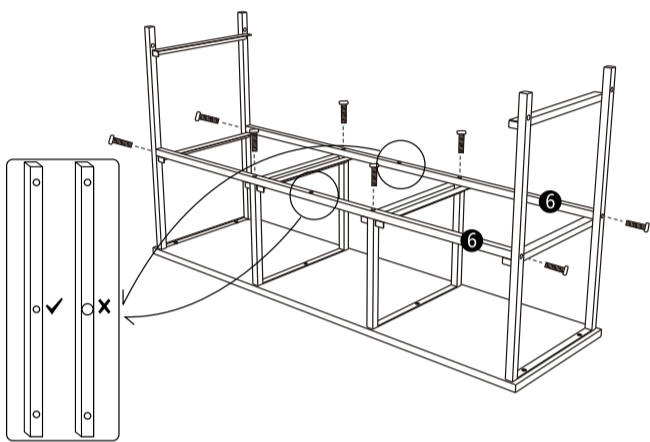
Attention : Do not tighten the screws until it has been fully assembled.



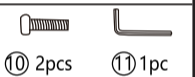
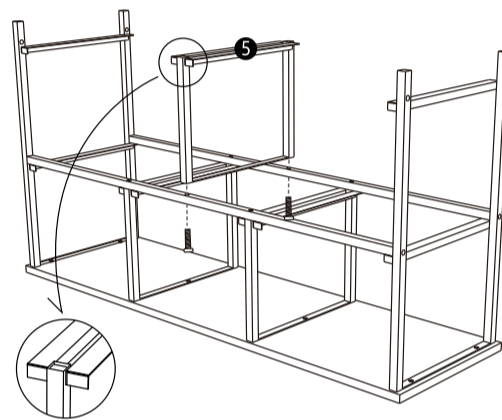
Step 1



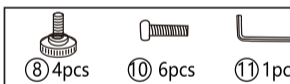
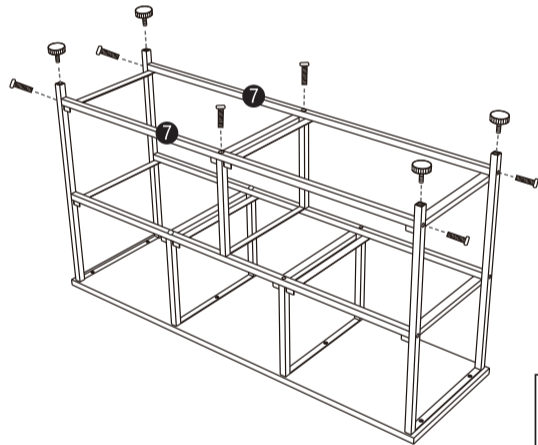
Step 2



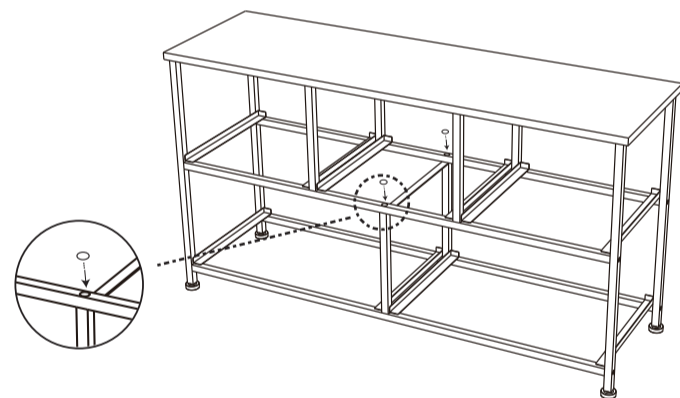
Step 3



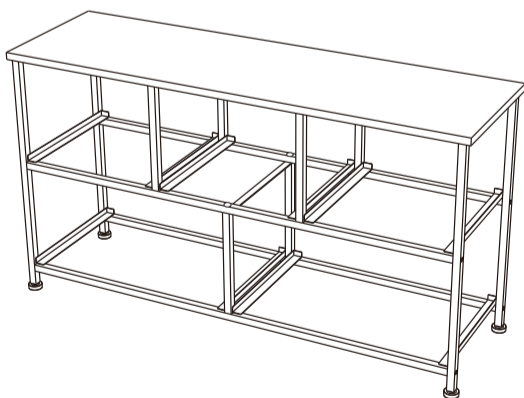
Step 4



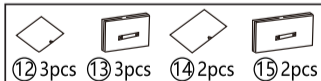
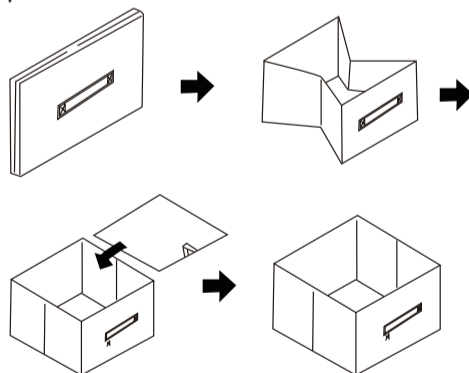
Step 5



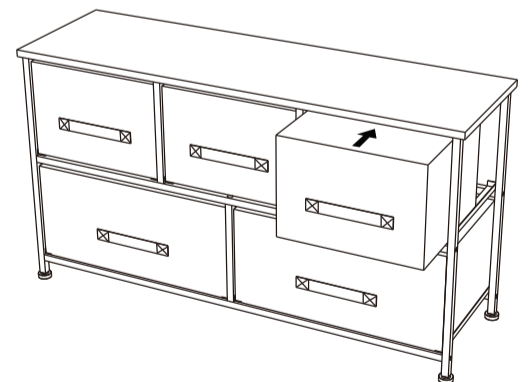
Step 6



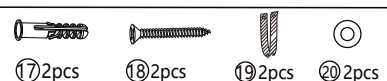
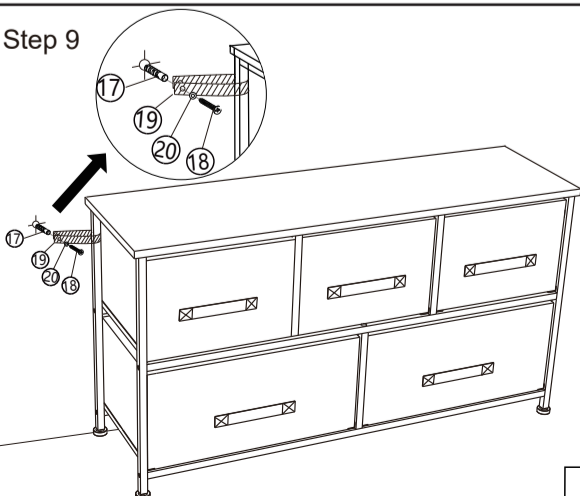
Step 7



Step 8



Step 9



User instructions for wall fixing:

- It is strongly recommended that this product is permanently fixed to the wall
 - Please seek professional advice if you are in doubt of what fixing device to use
 - Regularly check that anchors are securely maintained
 - Stability of tall items may be affected by thick pile carpet or uneven floors
 - Do not place unanchored televisions on furniture
- Caution: for your safety when attaching the anchor fixings:
- Check any electrical wires or plumbing inside the wall before drilling any holes (if you are unsure please seek professional advice from a qualified tradesperson)