

Assembly Instructions

42821861 3 TIER BAMBOO RACK


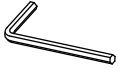


ATTENTION:

ENSURE YOU HAVE ALL PARTS BEFORE YOU START ASSEMBLING.

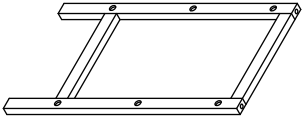
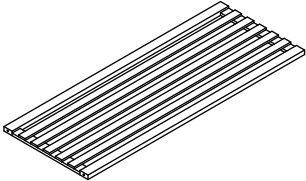
FOR INDOOR USE ONLY.

MAXIMUM LOADING WEIGHT: 3KG FOR EACH TIER.

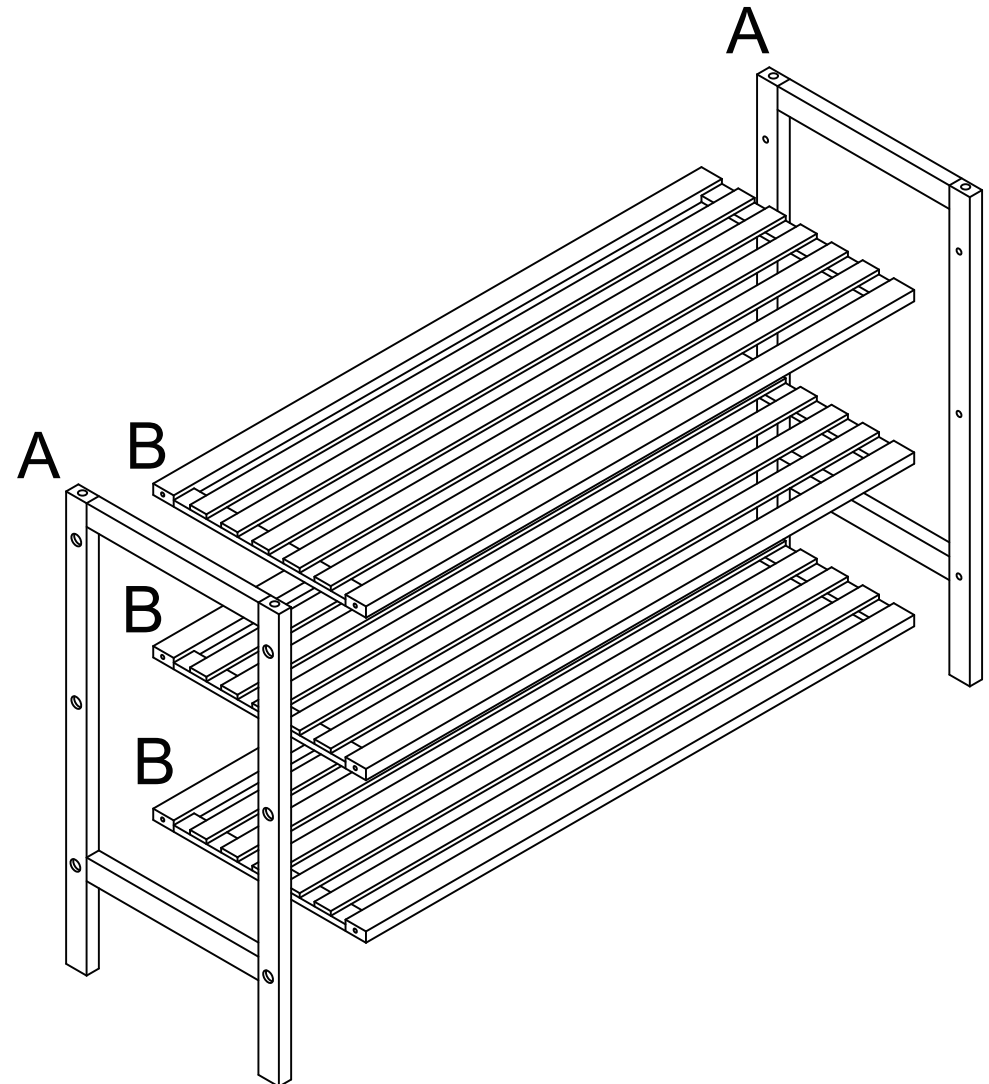
1 Hardware List

	①	5x40mm	12pcs
	②	2x22x62mm	1pc
	③	8x30mm	4pcs
	④	180x20mm	1pc

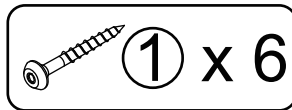
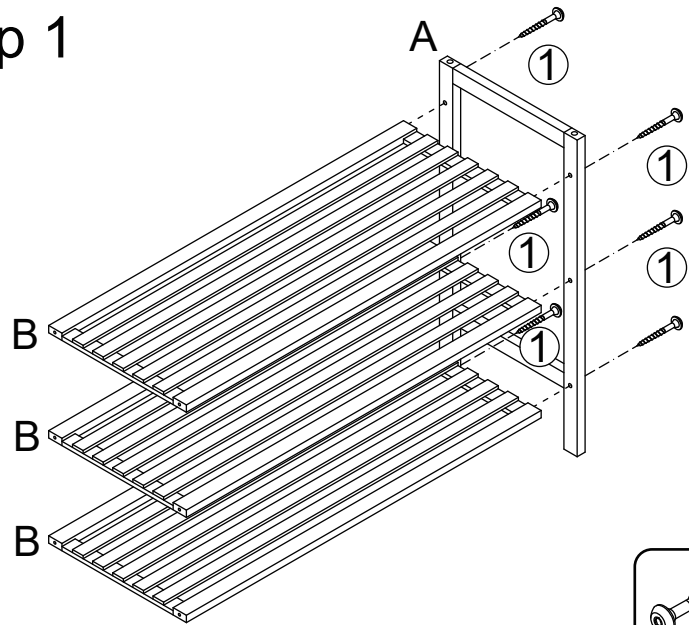
2

			
A	2pcs	B	3pcs

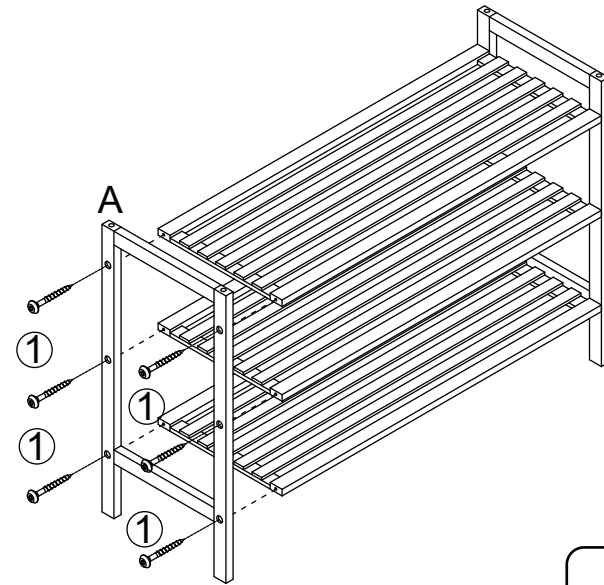
3



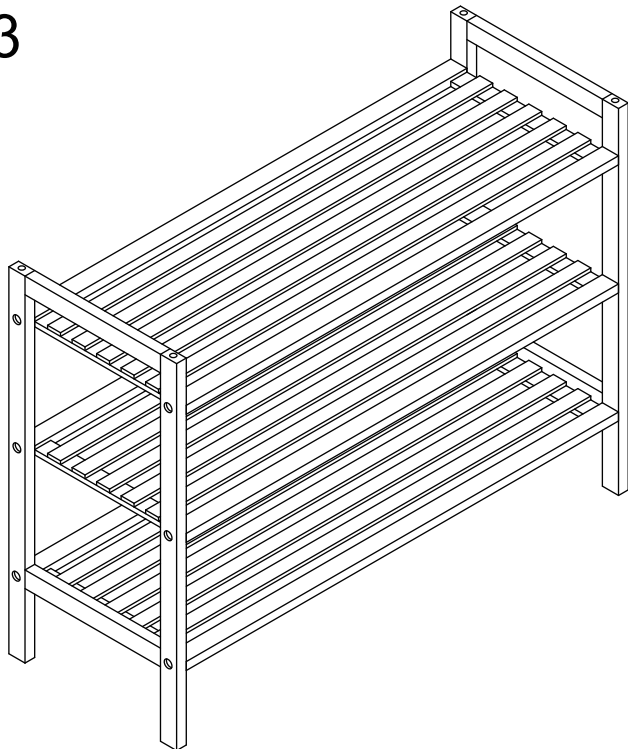
Step 1



Step 2



Step 3



To join 2x units

