
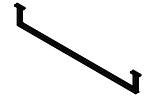
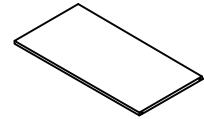


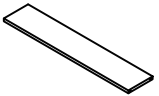



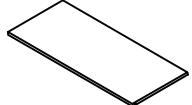



Assembly Instructions

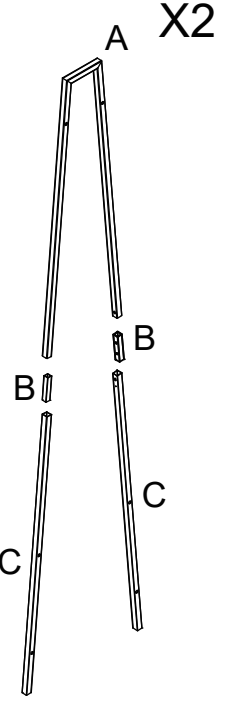
GARMENT RACK WITH 3 SHELVES

ATTENTION!

- ENSURE YOU HAVE ALL PARTS BEFORE YOU START ASSEMBLING.
- ASSEMBLE ON A CLEAN SOFT CARPETED SURFACE TO AVOID SCRATCHING.
- FOR INDOOR USE ONLY.
- MAXIMUM SAFE LOAD LIMIT FOR HANG BAR IS 10KG, MAXIMUM SAFE LOAD LIMIT FOR EACH SHELF IS 5KG.
- WE RECOMMEND A PERIODIC CHECK TO MAKE SURE THE SCREWS REMAIN FULLY TIGHTENED.
- DO NOT TIGHTEN THE SCREWS UNTIL IT HAS BEEN FULLY ASSEMBLED.

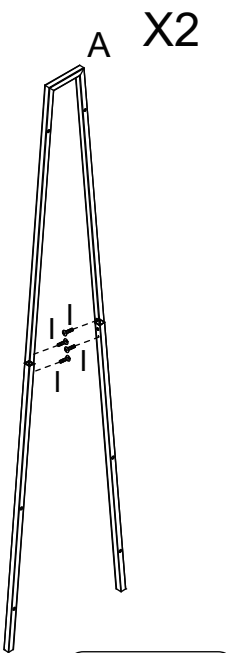
| | | | | | | | | | | | |
|---|---|------|---|---|------|---|--|-------|---|--|------|
| A |  | 2PCS | D |  | 1PCS | G |  | 1PCS | J |  M4x12 | 4PCS |
| B |  | 4PCS | E |  | 1PCS | H |  F7x50 | 12PCS | k |  | 1PCS |
| C |  | 4PCS | F |  | 1PCS | I |  M4x12 | 8PCS | | | |

Step 1




X2

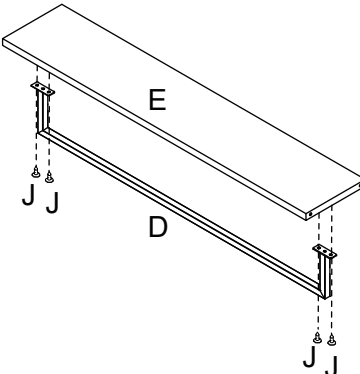
Step 2




X2

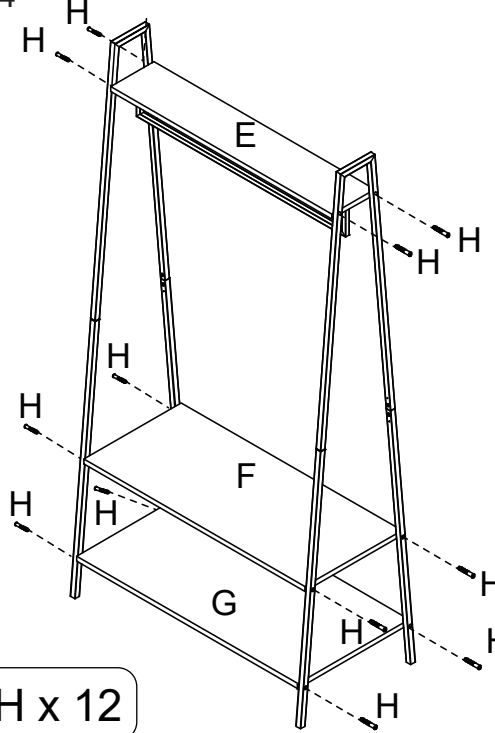
 I x 8


Step 3



 J x 4

Step 4



 H x 12

