

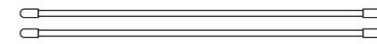
ARTWORK TO SCALE
21.0 x 29.7cm

anko

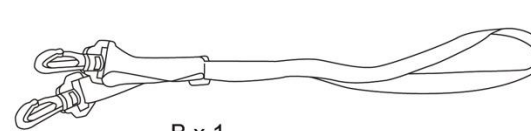
Pet Car Seat



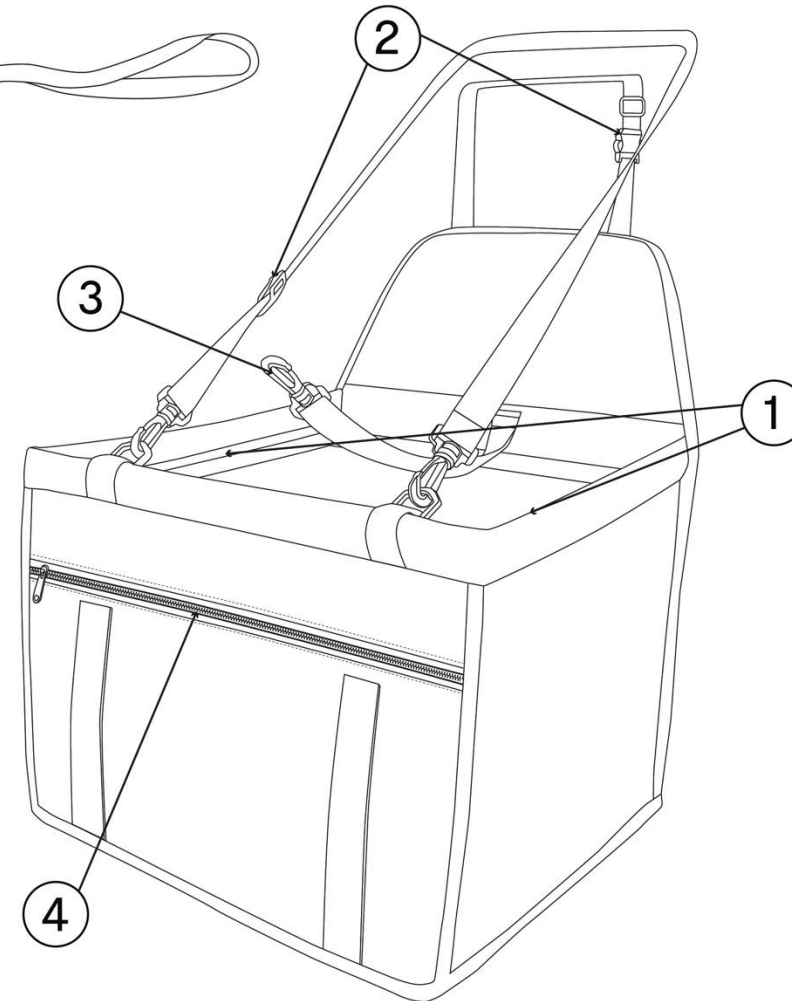
Contents



A x 2

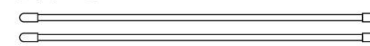


B x 1



Instructions

- 1 Insert support rods to both sides of booster seats through canvas piping.



Includes 2 rods (A x 2)

- 2 Adjust headrest strap (B x 1) and clip into place. With the extendable strap, safely secure to the back of headrest.

- 3 Safely fasten middle strap onto your pet harness.

- 4 Front zipper compartment is ideal for storing snacks, toys and training pads.