

Adjustable Basketball Stand

KC 42748021



WARNING!!!

Read all instructions thoroughly before attempting to install or assemble this equipment. Assembly should be done by adults only. Two adults are recommended. Please readjust product to the lowest height and store it safely when not in use or before bad weather with severe wind.

Adjustable Basketball Stand

KC 42748021

WARNING!!! NEVER OPERATE THE PORTABLE BASKETBALL SET BEFORE FILLING UP THE MOULDED BASE WITH WATER OR SAND FULLY.

GENERAL SAFETY INSTRUCTIONS

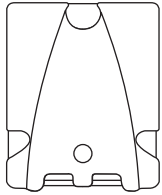
- Do not hang from the goal or climb on the pole. Do not climb on the base or structure in general as this could result in serious personal injuries.
- Adjustments and moving of the basketball set must be carried out by adults.
- Always check the unit to ensure that the moulded base is full of water or sand, and all fittings and hardware are tight before each use.
- Always place the base on a flat surface.
- Do not let water freeze in the base.
- Two people are required for assembly.
- Check the base regularly for any leakage before play.

Adjustable Basketball Stand

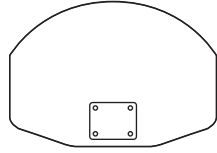
KC 42748021

Part List

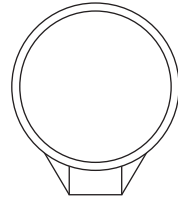
01



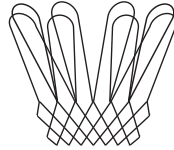
Plastic Base
x 1pc



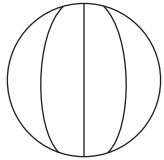
Plastic Board
x 1pc



Ring
x 1pc



Net
x 1pc



Basketball
x 1pc



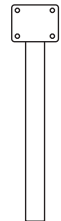
Lower Pole
x 1pc



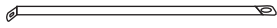
Middle Pole①
x 1pc



Middle Pole②
x 1pc



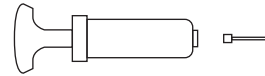
Upper Pole
x 1pc



Right Support Pole
x 1pc



Left Support Pole
x 1pc



Inflator Pump with Needle
x 1pc

Hardware List

02



Knob (a)
x 1pc



Knob (b)
x 2pcs



Knob Nut (a)
x 4pcs



Nut (b)
x 2pcs



Washer (a)
x 1pc



Washer (b)
x 4pcs



Bolt M6x30mm (a)
x 4pcs



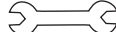
Bolt M8x60mm (b)
x 1pc



Bolt M8x25 (c)
x 3pcs



Cap Nut (c)
x 1pc



Wrench
x 1pc

Adjustable Basketball Stand

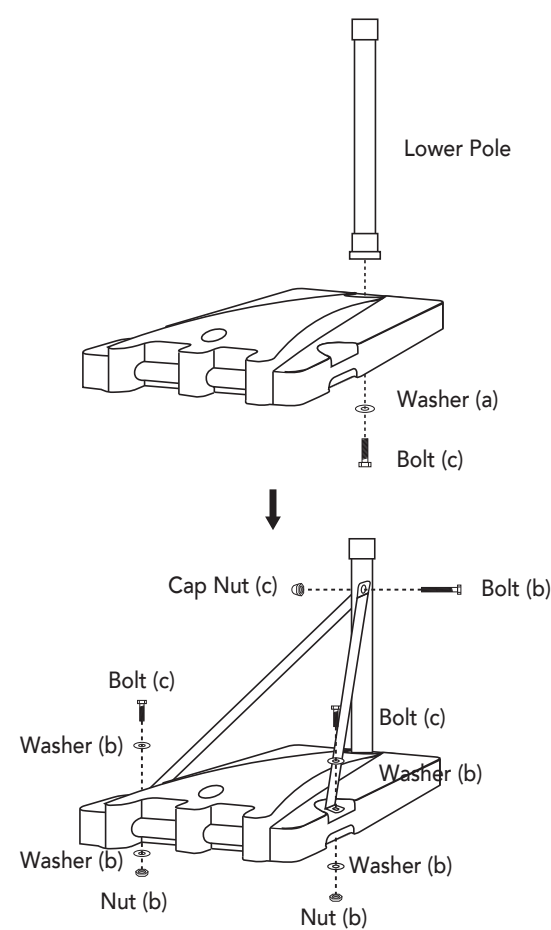
KC 42748021

Assembly Instruction

03

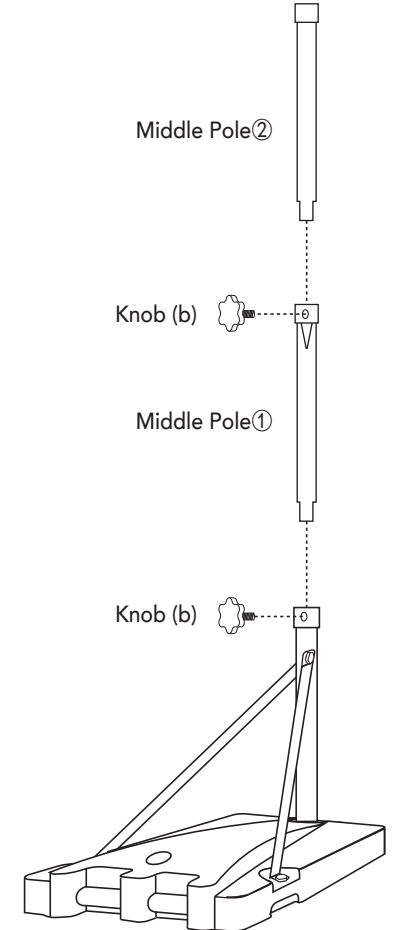
Step 1

Connect parts plastic base to lower pole by hardware, bolt (c) & washer (a), ensure to fix them firmly by wrench. Connect parts left & right support pole to lower pole by hardware bolt (b) & cap nut (c). Connect parts left & right support pole to plastic base by hardware bolt (c), washer (b) & nut (b).



Step 2

Insert the part middle pole① into lower pole, then lock them by hardware knob (b). Insert the part middle pole② into middle pole①, then lock them by hardware knob (b).



Adjustable Basketball Stand

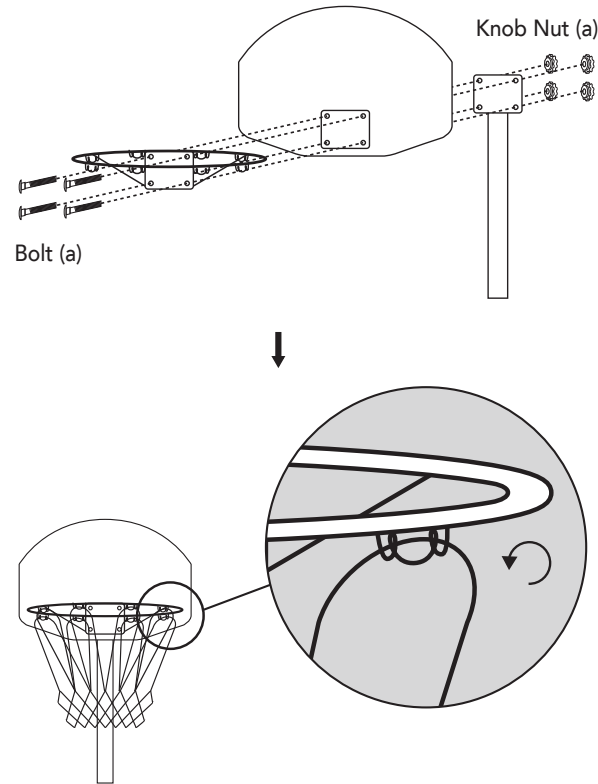
KC 42748021

Assembly Instruction

04

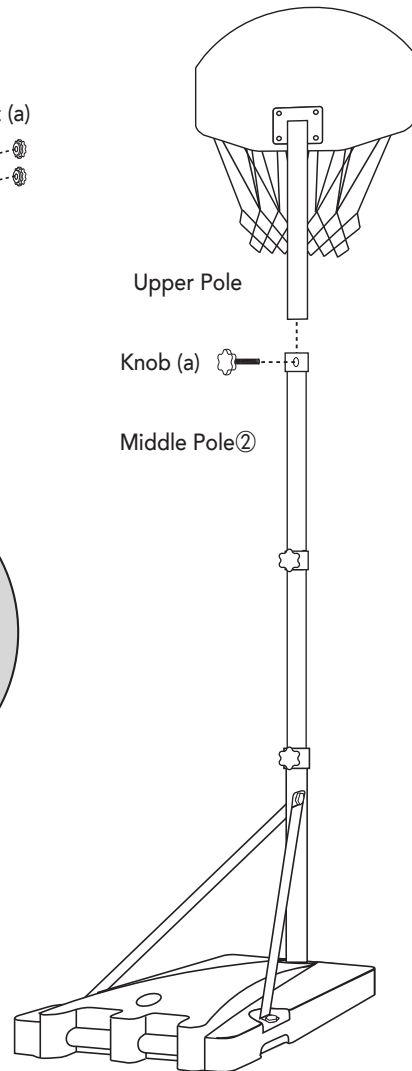
Step 3

Connect parts plastic board and net ring to upper pole by hardware bolt (a) & knob nut (a) and ensure to fix them firmly, then assemble basketball net onto the ring.



Step 4

Put the parts of step 3 into the part of step 2, then lock them by hardware knob (a).



Adjustable Basketball Stand

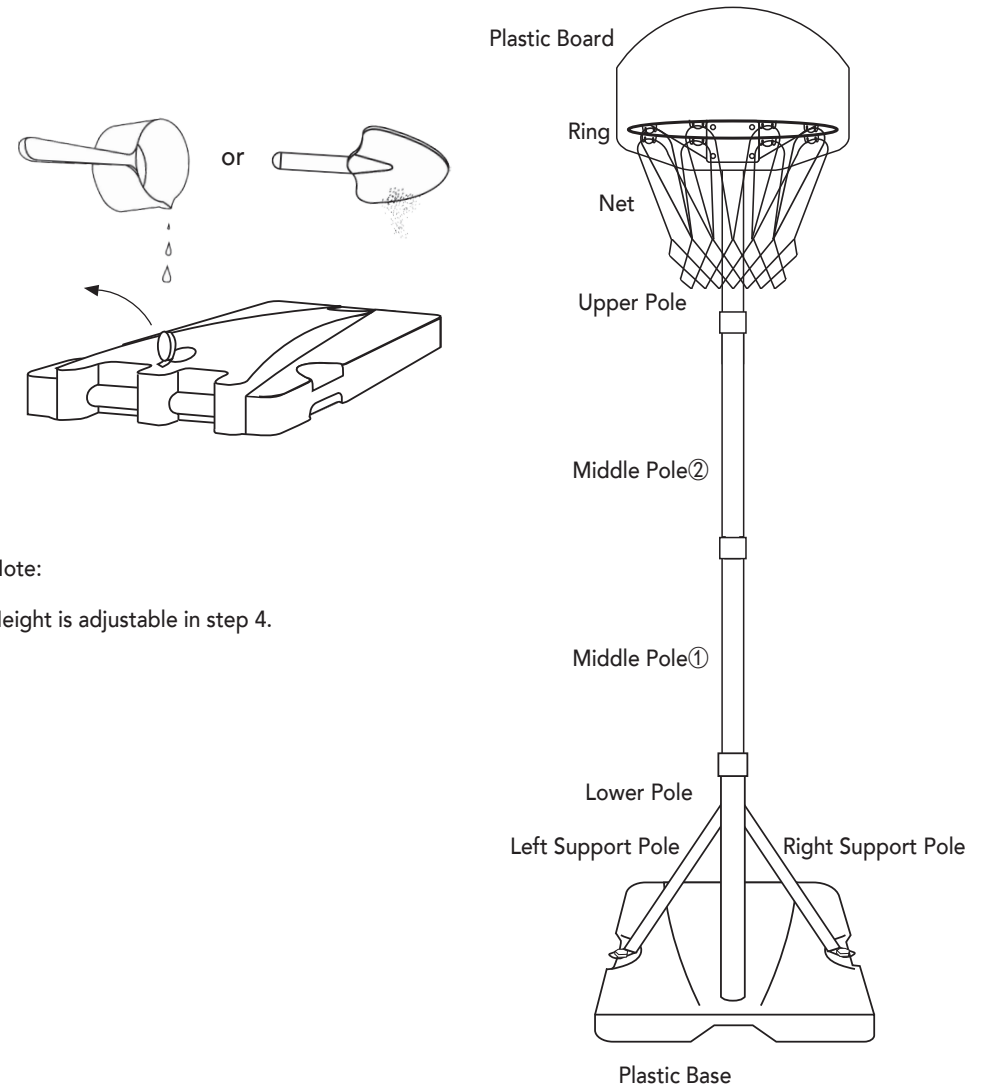
KC 42748021

Assembly Instruction

05

Step 5

Remove lid of the plastic base, fill with water or sand. Replace with lid.



Note:

Height is adjustable in step 4.