

anko

Vacuum Cleaner For Household Use Only



Model No.: SL163E

Rev 1

Note: The specifications and/or components of this appliance are subject to change without prior notice.

If the Hose, Floor Head or any Accessories should fail during use, please call 1300 105 888 for an immediate replacement. This will save you from returning the product to the store.

If we can assist you in any other way, please feel free to contact us

1	IMPORTANT	2
2	Warnings	3
3	Safety Direction	3
4	Transporting your Vacuum	5
5	Components	6
6	Assembly Method	7
6.1	Fitting Flexible Hose	7
6.2	Hose Removal	7
6.3	Fitting Telescopic Tube and Accessories	7
6.4	Tools	8
7	Power and Power Cord	8
8	Suction Relief Slide	9
9	Floor Head	9
10	Large Turbo Floor Head – For Carpet Only	10
11	Small Turbo Head	11
12	Safety Devices Operation	12
13	Emptying the Dust Canister	12
14	User Maintenance	14
14.1	Cleaning Filters	14
14.1.1	Main Filter	15
14.1.2	Exhaust Air Filter	16
14.2	Cleaning the Vacuum Cleaner Body and Tools	18
15	Storage	18
16	Troubleshooting	19
17	Warranty Against Defect	20

1 IMPORTANT

Please note: it is very important that the filters, dust canister and components are kept clean and free from blockages, etc.

Failure to keep clean and well maintained will reduce the performance of your vacuum cleaner, and may cause the motor to overheat.

Please refer to the “User Maintenance” Section for further instruction on cleaning.

2 Warnings

Before using this appliance, read and follow all warnings and instructions in this manual, even if you are familiar with this product.

This appliance is not intended for use by persons (including children) with reduced physical, sensory or mental capabilities, or lack of experience and knowledge, unless they have been given supervision or instruction concerning use of the appliance by a person responsible for their safety.

Children should be supervised to ensure that they do not play with the appliance.

3 Safety Direction



Please read this instruction manual carefully before first use. It is advisable to keep this instruction manual for future reference.

DO NOT vacuum water, wet objects, liquids, ashes, hot coals, cigarette butts, matches or any hot, smoking or burning objects, etc.

DO NOT pick up flammable or combustible materials (i.e. lighter fluid, petrol, kerosene, etc.) or use in the presence of explosive liquids or vapour.

DO NOT pick up toxic material (i.e. chlorine bleach, ammonia, drain cleaner, etc.)

DO NOT vacuum Toner (for laser printer, copy machines etc.) as there is a risk of fire and explosion.

DO NOT vacuum plaster, cement etc. as the filter can become blocked.

DO NOT use the vacuum without all the filters fitted.

DO NOT store or use the appliance near high temperature areas.

DO NOT run over the power cord with the vacuum cleaner.

DO NOT use the vacuum cleaner if it is blocked. Turn off and clear all blockages before continuing.

DO NOT use the vacuum cleaner with blocked filters. Clean filters before continuing. (refer to User Maintenance section).

DO NOT use the vacuum cleaner if the appliance malfunctions, abnormal noise, smell, smoke, is dropped or damaged in any manner or any breakage is found during operation.

For electrical safety, any repairs to the product must be performed by a qualified electrical person only, or the product must be disposed of.

DO NOT misuse the cord. Never pull the appliance by the cord or pull to disconnect it from the outlet. Instead, grasp the plug and pull to disconnect.

DO NOT use the vacuum cleaner to pick up large objects, hard or sharp objects such as glass, nails, screws, coins, etc. that are likely to cause damage.

DO NOT use with damaged cord or plug.

DO NOT use vacuum cleaner if it has been dropped, damaged, left outdoors, or dropped into liquid (water etc.)

DO NOT close door on cord or pull cord around sharp edges or corners.

Cord Rewind - **DO NOT** allow the cord and plug to whip back at full speed. Guide the cord and plug in gently.

DO NOT handle plug or vacuum cleaner with wet hands.

DO NOT put any objects into openings.

DO NOT operate the appliance with a damaged cord or plug.

If the supply cord is damaged, it must be replaced by the manufacturer, its service agent or similarly qualified persons in order to avoid a hazard.

DO NOT attempt to modify this product in any way.

DO empty the Dust Canister regularly for optimal operation of the vacuum.

DO keep hair, loose clothing, fingers, feet and body parts away from openings or moving parts.

DO disconnect the appliance from the mains supply before connecting the flexible suction hose.

DO turn off controls before you connect or disconnect the appliance to or from the mains supply.

DO disconnect the appliance from the power supply when not in use, before changing the dust filter, cleaning the filters or connecting / disconnecting the accessories.

DO use only on dry, indoor surfaces.

DO use only as described in this manual. Use only manufacturer's recommended attachments.

DO Keep cord away from heated surfaces.

DO Keep all openings free of dust, lint, hair, and anything that may reduce airflow.

DO use extra care when vacuuming on stairs.

DO keep your work area well lit.

DO store your appliance indoors in a cool dry area.

DO ensure children and babies cannot play with plastic bags or any packaging materials.

DO operate the appliance from a power source of the same voltage, frequency and rating as indicated on the product identification plate

If this appliance is used by a third party, **DO** supply the instruction manual with it.

No liability can be accepted for any damage caused by non-compliance with these instructions or any other improper use or mishandling of appliance.

This product has not been designed for any uses other than those specified in this manual.

ONLY for domestic use. Industrial or commercial use invalidates the warranty.

Read and Save These Instructions

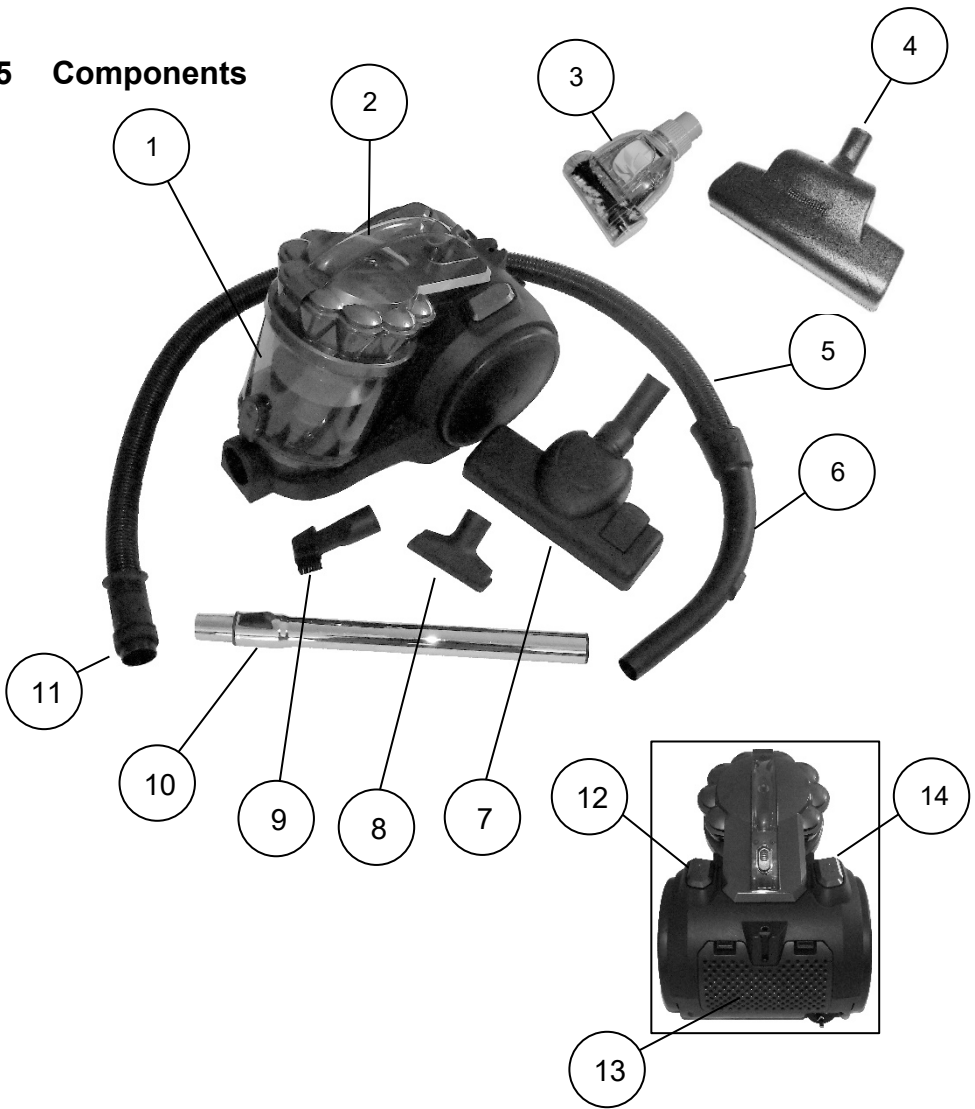
4 Transporting your Vacuum

To move your vacuum cleaner from room to room, unplug the unit and carry using the carry handle.

Never pull or carry the vacuum cleaner by its cord.

Never carry the vacuum cleaner by the flexible hose.

5 Components



1	Dust Canister	8	Upholstery Tool
2	Carry Handle	9	Crevice / Brush
3	Small Turbo Head	10	Telescopic Tube
4	Large Turbo Floor Head (Carpet Only)	11	Hose Coupling
5	Flexible Hose	12	Power On – Off Button
6	Hose Handle	13	Exhaust Grille
7	Standard Floor Head	14	Cord Rewind Button

Note: The specifications and/or components of this appliance are subject to change without prior notice

6 Assembly Method

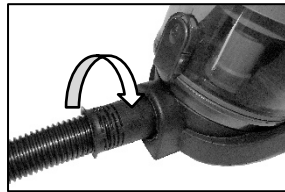
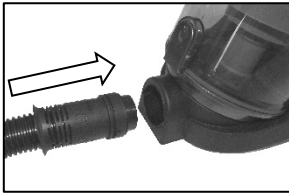
Please Note: Always remove the plug from the power socket before fitting or removing accessories.

Ensure all Filters are fitted and fitted correctly before using.

6.1 Fitting Flexible Hose

Align the two tabs on the side of the hose coupling with the two slots in the vacuum cleaner Hose Connector hole, then push the hose coupling all the way into the Hose Connector hole.

Grasp and rotate the hose coupling clockwise to lock in place.

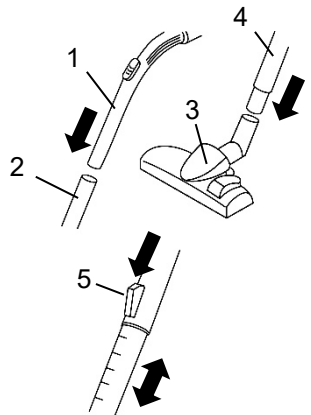


6.2 Hose Removal

To remove the flexible hose from the vacuum cleaner, grasp and rotate the hose coupling anticlockwise and then pull the coupling straight out.

6.3 Fitting Telescopic Tube and Accessories

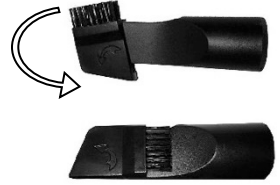
- Insert the hose handle (1) into the upper end of the telescopic tube (2).
- Insert the lower end of the telescopic tube (4) into the Floor Head (3).
- To adjust the length of the telescopic tube, press the telescopic tube lock button (5) down, and then pull the handle and tube out to the desired length.



6.4 Tools

Crevice tool with Swivel Brush

- Crevice tool is for cleaning furniture and into corners.
- Brush attachment can be used for general applications



Upholstery Tool

- The Upholstery tool is used for cleaning sofas and curtains, etc.



7 Power and Power Cord

- Before using the appliance, pull to unwind the cord fully up to the yellow mark and insert the plug into the power supply.

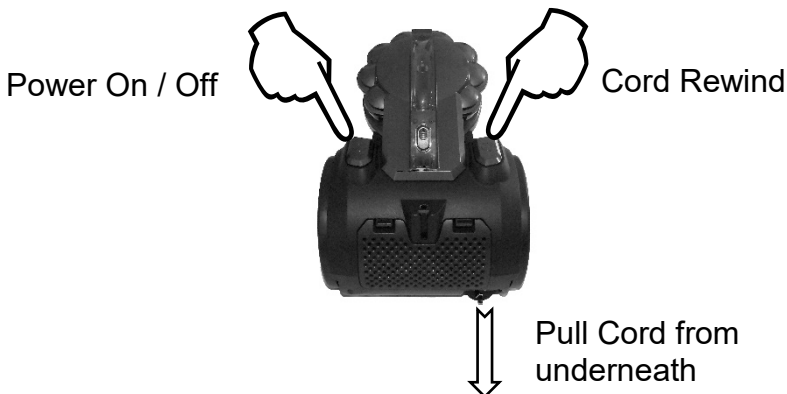
The yellow mark on the cord shows the ideal cord length.

- Do not extend the cord past the red mark.

Note: Ensure the power cord is totally dry before rewinding it back into the vacuum cleaner.

To rewind the cord, press the Cord Rewind Button whilst controlling the cord with the other hand to ensure that it does not whip back causing damage to your person or surroundings.

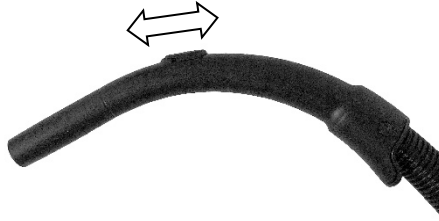
- Press the On / Off button to start the motor.



8 Suction Relief Slide

The Suction Relief Valve is used for easy, temporary reduction of the vacuum cleaner suction at the floor head.

Slide the Suction Control Slide to the open position to reduce the suction power and then slide close to revert back to full suction power at the floor head.



9 Floor Head

The floor head is adjustable to suit either hard floors or carpets.

The floor head has two settings. When cleaning hard surfaces (parquet flooring, tiles, etc.), the floor head brushes should be extended.

When cleaning carpets and rugs, the brushes should be retracted into the floor head.

Press the brush change button to switch between the two settings.

Note: If, during vacuuming, you need to pause to move furniture etc., you can place the floor head in the parking holder using the hook on the back of the floor head.

Refer to the section “Storage” for further information.



10 Large Turbo Floor Head – For Carpet Only

IMPORTANT: Keep Fingers, Hair and all other body parts away from the floor head / rotary brush when in use as injury may occur.

This Turbo Floor Head was designed to be used on carpet only.

Do not use it on hard floor surfaces

The Turbo floor head has a rotary brush which can be used for vacuuming difficult debris such as pet hair.



To use, first switch off and unplug the vacuum cleaner, then pull the Standard Floor Head off the end of the telescopic tube and push the Turbo Floor Head on.

Plug the vacuum cleaner back into the power point and switch on.

The air being sucked through the Turbo Floor Head will start the rotary brush turning.

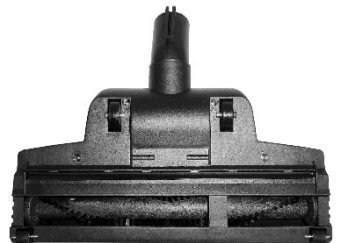
Then just vacuum the floor as normal.

NOTE: Should there be a blockage in the floor head, switch off and unplug the vacuum cleaner.

Turn the Turbo Floor Head over to access the underneath.

Remove any debris or blockage with a pair of tweezers.

DO NOT TOUCH the rotary brush when spinning.



11 Small Turbo Head

IMPORTANT: Keep Fingers, Hair and all other body parts away from the head / rotary brush when in use as injury may occur

DO NOT use on pets or people.

The Small Turbo head has a rotary brush which can be used for vacuuming difficult debris such as pet hair off furniture and car seats etc.

To use, first switch off and unplug the vacuum cleaner, then pull the Standard Floor Head off the end of the telescopic tube and push the Small Turbo Head on.



Alternatively, the Small Turbo head can be fitted directly onto the end of the hose handle.

Plug the vacuum cleaner back into the power point and switch on.

The air being sucked through the Turbo Floor Head will start the rotary brush turning.

Then just vacuum the furniture as normal.

DO NOT TOUCH the rotary brush when spinning.

NOTE: Should there be a blockage in the Small Turbo head, switch off and unplug the vacuum cleaner.

To access inside, unscrew the round nut and slide up as far as possible.

Swing the top cover open and lift off.



Remove any debris or blockage with a pair of tweezers and then refit the cover and tighten the round nut before plugging in the vacuum cleaner and turning on.

12 Safety Devices Operation

NOTE: The motor has an overheating protection device built in.

It will automatically switch off power to the motor if it overheats. e.g. from blocked nozzles, full dust Canister or uncleaned and blocked filters.

If this happens, turn off the vacuum cleaner and unplug from the power socket, clean blockage and / or filters and allow to rest for at least 60 minutes which should be enough time for the motor to cool down.

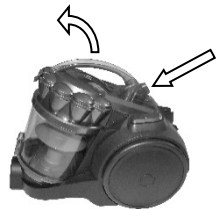
Important: If the over-temperature device activates and turns the motor off, and you do not switch off and unplug the appliance from the power point, the motor will restart automatically after it has cooled down enough to reset the safety device.

IMPORTANT! NEVER BLOCK ANY VENTS OR OPENINGS.

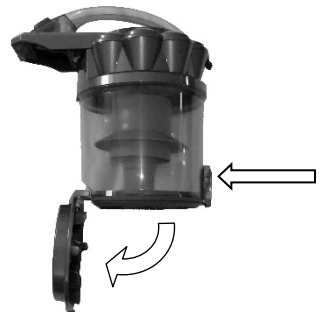
13 Emptying the Dust Canister

Empty the Dust Canister before the dust level reaches the MAX line, or when the suction power is reduced.

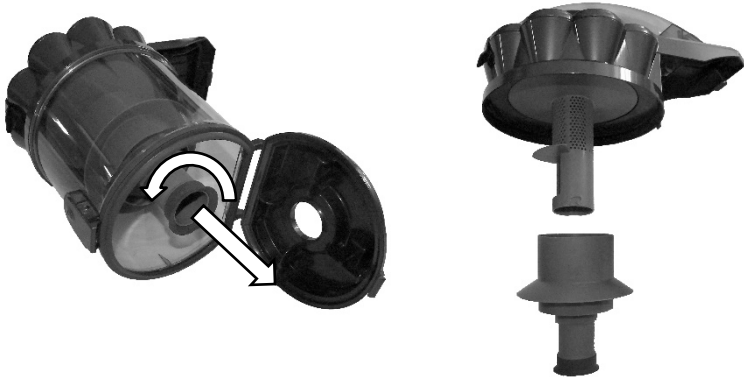
- To remove the Dust Canister, turn off the power, unplug and disconnect the vacuum hose.
- Grip the handle on the Dust Canister, press the Dust Canister Release Button and pull the Dust Canister forward and out of the housing.
- Take the dust container to a dustbin.
- Press the Trap Door release button inward to release the latch and the trap door will swing open emptying the contents into the bin.



To close the trap door, close it manually until it clips shut.



- During emptying of the dust canister, the outer lower post should be removed so as to clean away any hair and debris that may be wrapped around the inner post.
- To remove, whilst the dust canister trap door is open, hold the dust canister body firmly, grasp the outer lower post and rotate anticlockwise to unlock then pull straight out as shown.



- Clean the inner tube using your fingers or a brush.
- Alternatively, first remove the dust canister body by holding the top section of the dust canister and rotate the bottom clear section of the dust canister anticlockwise and pull apart.



- Then remove the outer lower post and clean as described above.
- Brush the inside of the dust canister with a small brush or wash Refer to section “Cleaning”.
- To refit the outer lower post, push over the inner post all the way and rotate clockwise until it locks in place.

- To refit the dust canister lower clear section, line up the tab on the side of the lid with the Open padlock symbol on the dust canister, push the top and bottom canister components together then rotate the dust canister lower clear section clockwise until it locks in place and the tab is located above to locked padlock symbol as shown.



- Close the dust canister trap door and clip shut.
- To refit the Dust Canister in to the vacuum cleaner, simply align the dust canister into its position and push down until it locks in place.

14 User Maintenance

WARNING: The plug must be removed from the power socket before any maintenance, cleaning or replacement of parts.

NOTE: To maximise the performance of your vacuum cleaner, you should clean your filters regularly.

If the filters are broken or worn, replace them before continuing to use the vacuum.

Filters can be purchased from our Customer Service. You can call our customer service number: 1300 105 888 or via email info@hegroup.com.au

14.1 Cleaning Filters

Important Note – the Filters must be cleaned regularly for best suction performance and to prevent over-heating and damage to your vacuum cleaner.

Cleaning is best done at the same time when emptying the dust Canister after you have finish vacuuming for the day.

IMPORTANT! Never use the vacuum cleaner with wet or damp filters or without ALL filters fitted.

Using wet or damp filters will damage the filters, may cause serious damage to the vacuum cleaner and will void your warranty.

14.1.1 Main Filter

Remove the Dust Canister as described previously.

The Filter is located inside the Dust Canister Lid.

Swing open the lid of the dust canister by unclipping the latch and swing open to expose the filter.

Remove the filter by grasping the filter and pull straight up and out.



Turn the filter over and remove the black foam filter by grasping with your fingers and pull straight up and out.



Wash the foam filter in warm mild soapy water, rinse in clean fresh cold water and let completely dry.

Note: Only clean the white filter if it is very dirty, otherwise just tap the edge of the filter on a hard surface to dislodge any dust and remove any large debris.

If washing, wash the filter in warm mild soapy water, rinse in clean fresh cold water and let completely dry.

DO NOT scrub the filters or place in a dishwasher.

DO NOT use a hair dryer to dry the filters.

IMPORTANT! Never use the vacuum cleaner with wet or damp filters. Using wet or damp filters will damage the filters, may cause serious damage to the vacuum cleaner and will void your warranty.

Refit the Filters (or replace with new ones) in the reverse method used for disassembly.

Note: The Dust Canister lid will not close unless the filter is fitted correctly in place.

14.1.2 Exhaust Air Filter

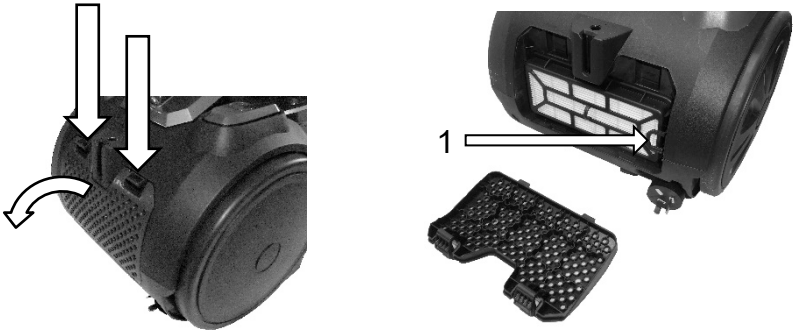
The exhaust air filter cleans the air a final time before it leaves the vacuum cleaner.

You can access and clean the exhaust air filter as follows: It is located in the back of the Vacuum Cleaner.

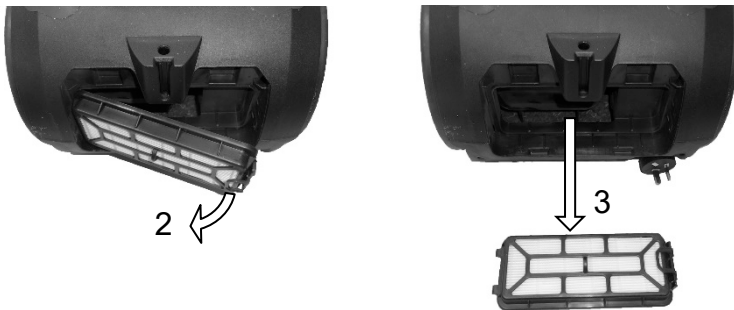


Remove the grill by pushing down the clips to unlatch and pull forward to expose the filter.

To remove the Filter, push the small handle (1) inward to unlatch.



Then swing out (2), then pull out (3).



Note: Only wash the filter if it is very dirty, otherwise just tap the edge of the filter on a hard surface to dislodge any dust and remove any large debris.

If washing, wash the filter in warm mild soapy water, rinse in clean fresh cold water and let completely dry.

DO NOT scrub the filter or place in a dishwasher.

DO NOT use a hair dryer to dry the filter.

IMPORTANT! Never use the vacuum cleaner with wet or damp filters. Using wet or damp filters will damage the filters, may cause serious damage to the vacuum cleaner and will void your warranty.

Refit the Filter (or replace with a new one) in the reverse order and ensure the grille clips shut.

It is recommended to clean this filter every 3 months or sooner if required.

14.2 Cleaning the Vacuum Cleaner Body and Tools

Do not clean the vacuum cleaner, components or accessories using petrol or any other flammable liquid or solvents, etc.

Clean only the outside of the vacuum cleaner.

Use only a moist cloth and mild detergent for cleaning the vacuum cleaner, components and accessories.

After cleaning, wipe off the moisture on vacuum cleaner, components and accessories with a dry cloth.

Do Not place accessories and components in a dishwasher.

15 Storage

When finished using the vacuum cleaner, store away in in a dry cool place.

The floor head can be parked on the back of the vacuum cleaner body as shown:



16 Troubleshooting

Noisy operation	Clean the Filters and empty the Dust Canister
	Check for partial blockages and unblock.
Suction Not Strong	<p>Clean the Filters and empty the Dust Canister.</p> <p>Check for blockages and unblock</p> <p>Check that the Suction Relief Valve on the hose handle is closed.</p>
Over-heating / Stopping	Clean the Filters, empty the Dust Canister, check for blockages and unblock then allow it to cool for approximately 1 hour before trying to restart.
Floor Brush hard to push	<p>Due to the strong suction of your vacuum cleaner, it may be difficult to push, especially over thick carpet. Rather than forcing the Floor Brush, lift the Floor Brush momentarily to allow air to flow into the vacuum releasing the built-up suction pressure, then continue vacuuming.</p> <p>The Floor Head brush may be extended when using on a carpet. Retract the brush.</p> <p>Slide open the vacuum Suction Relief Valve located on the hose handle. This will reduce suction to the floor head.</p>
Static Shock	<p>In some rare instances, one or two users may feel an electric discharge when touching or using the vacuum cleaner during or after use. This is a well-known phenomenon of Static Electricity discharge that happens mostly when the user vacuums a synthetic fibre carpet or other synthetic surfaces. It can also be more prevalent in dry and cool environments. Although the feeling of the Static Electricity can be unpleasant for the user, it is not dangerous and is not a fault of the vacuum cleaner. If this static discharge is a problem for the user, the user could try wearing insulating footwear during vacuuming (i.e. rubber or leather soles) or increase the humidity / heat level in the surrounding environment or both.</p>

17 Warranty Against Defect

12 Month Warranty

Thank you for your purchase from Kmart.

Kmart Australia Ltd warrants your new product to be free from defects in materials and workmanship for the period stated above, from the date of purchase, provided that the product is used in accordance with accompanying recommendations or instructions where provided. This warranty is in addition to your rights under the Australian Consumer Law.

Kmart will provide you with your choice of a refund, repair or exchange (where possible) for this product if it becomes defective within the warranty period. Kmart will bear the reasonable expense of claiming the warranty. This warranty will no longer apply where the defect is a result of alteration, accident, misuse, abuse or neglect.

Please retain your receipt as proof of purchase and contact our Customer Service Centre 1800 124 125 (Australia) or 0800 945 995 (New Zealand) or alternatively, via Customer Help at Kmart.com.au for any difficulties with your product. Warranty claims and claims for expense incurred in returning this product can be addressed to our Customer Service Centre at 690 Springvale Rd, Mulgrave Vic 3170.

Our goods come with guarantees that cannot be excluded under the Australian Consumer Law. You are entitled to a replacement or refund for a major failure and compensation for any other reasonably foreseeable loss or damage. You are also entitled to have the goods repaired or replaced if the goods fail to be of acceptable quality and the failure does not amount to a major failure.

For New Zealand customers, this warranty is in addition to statutory rights observed under New Zealand legislation.

IMPORTANT!

For all technical queries or difficulties in operating the product and for spare parts, contact H.E. Group customer service 1300 105 888 (Australia) and 09 8870 447 (New Zealand).