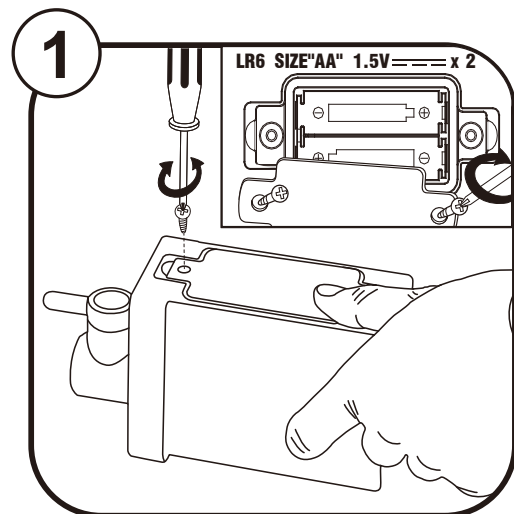


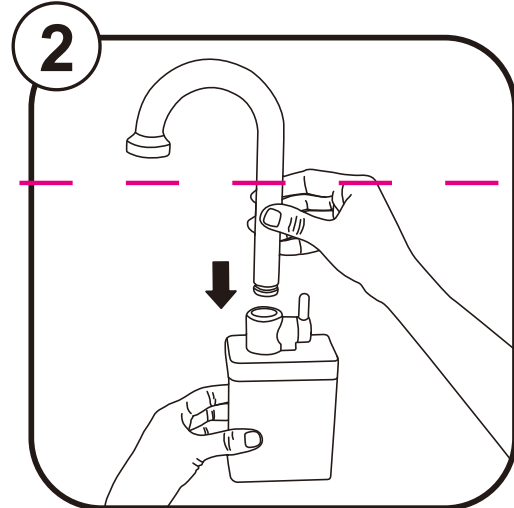
Customer Name: Kmart Australia	Manual Size: W42 cm x H29.7cm (FTY Size)
Brand Name: ANKO	Box Type: Manual
Country:	Color: <b>K</b>
Item No: 3600	Version: 2018
Date: 16Oct18	Designer: Evelyn

anko

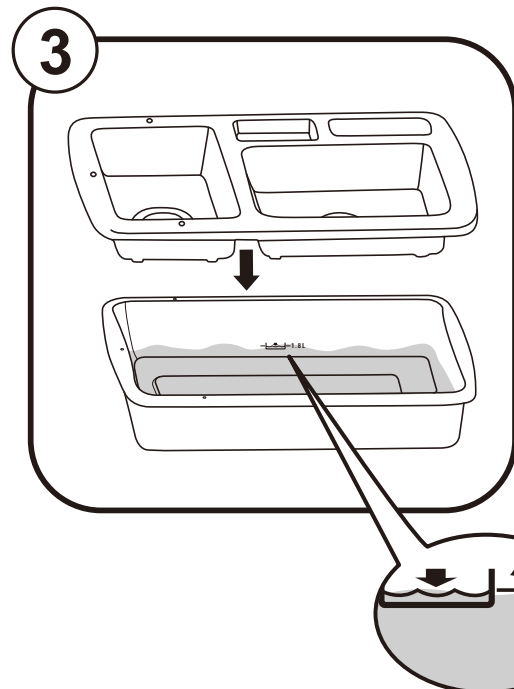
## Wash-up Kitchen Sink



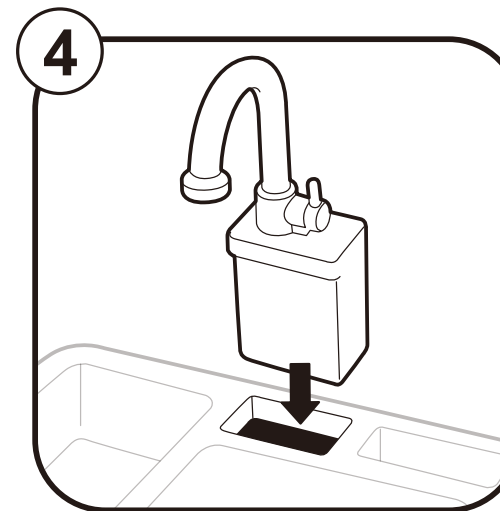
1 Locate the battery compartment on the water pump. Open the battery cover with a screwdriver. Insert two "AA" batteries (alkaline recommended) to the indicated polarity. Replace the battery cover and tighten all of the screws with a screwdriver. **When closing the battery cover, ensure that the screw is tightened securely to avoid water leakage.**



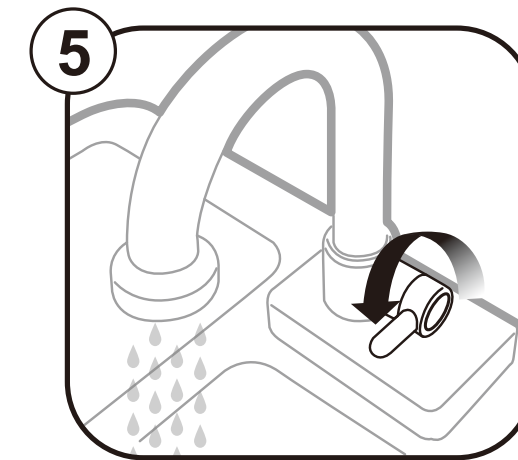
2 Inset the tap into the pump until you hear a clicking sound. Once the tap has been connected to the pump this cannot be removed. Ensure that the tap lever is set to the off position.



3 Pour warm water into the sink to the maximum water level (1.8L) then secure the sink cover over the top.



4 Insert the tap and pump into the sink and push down until you hear a clicking sound.



5 Move the tap lever forward to activate the water flow. As the tap can rotate 360 degrees, make sure the tap is facing towards the sink before the lever is moved



Hints: If water stops flowing,

1. Check that the water level meets the maximum requirement (1.8L) then proceed to step 2.
2. In an upright position, shake the pump to ensure that there is no residual water inside then proceed to step 4.
3. Replace with new batteries following step 1.

### Safety Warning:

Only use this product with clean warm water. Do not use salt or soapy water. Do not leave the tap and pump submerged in the water for a long period of time. This product should only be operated in water when fully assembled in accordance with the instructions. After playing, remove the tap with pump from the unit and pour out any residual water. Rinse the unit with clean warm water and wipe with a dry cloth. Place the tap with pump in an upright position to dry.

**WARNING:** BATTERIES ARE TO BE INSERTED WITH THE CORRECT POLARITY. DO NOT MIX DIFFERENT TYPES OF BATTERIES OR NEW AND USED BATTERIES. NON-RECHARGEABLE BATTERIES ARE NOT TO BE RECHARGED. RECHARGEABLE BATTERIES ARE ONLY TO BE CHARGED UNDER ADULT SUPERVISION. RECHARGEABLE BATTERIES ARE TO BE REMOVED FROM THE TOY BEFORE BEING CHARGED. THE SUPPLY TERMINALS ARE NOT TO BE SHORT-CIRCUITED. REMOVE BATTERIES FROM THE TOY WHEN NOT IN USE FOR EXTENDED TIME OR WHEN BATTERIES BECOME EXHAUSTED. DISPOSE OF BATTERIES RESPONSIBLY. DO NOT DISPOSE OF IN FIRE.

**CAUTION:** BATTERY INSTALLATION BY AN ADULT IS REQUIRED.

**WARNING:** FOR SAFETY REASONS, REMOVE ALL TAGS, LABELS AND PLASTIC FASTENERS BEFORE GIVING THIS TOY TO YOUR CHILD.

**CAUTION:** PLEASE WASH PLAY PIECES THOROUGHLY BEFORE AND AFTER USE. INTENDED FOR ROLE PLAY ONLY.

**WARNING: CHOKING HAZARD**  
SMALL PARTS. NOT SUITABLE FOR CHILDREN UNDER 3 YEARS.

PRODUCT MAY VARY SLIGHTLY FROM IMAGE SHOWN. PLEASE KEEP THE PACKAGING FOR FUTURE REFERENCE. MADE IN CHINA  
ANKO, KIDS&CO. ARE ALL TRADEMARKS OF KMART AUSTRALIA LIMITED.