

# Assembly Instructions

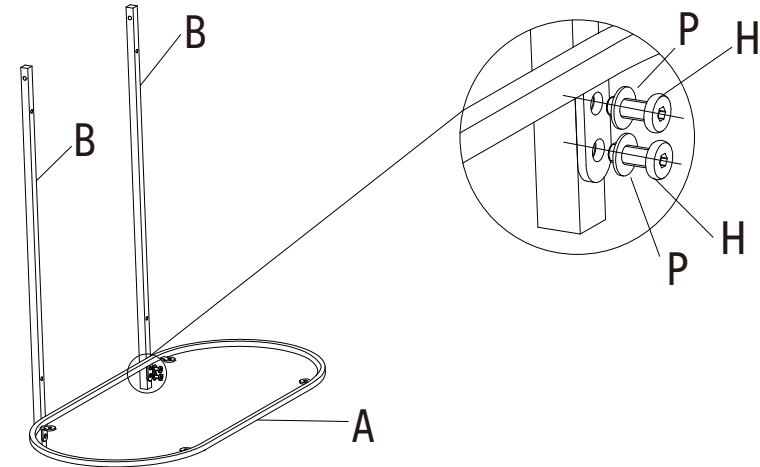
**CARE INSTRUCTIONS:** WIPE CLEAN WITH A DRY CLOTH. DO NOT USE ABRASIVE MATERIALS AND SOLVENTS. CHECK AND TIGHTEN ALL PARTS REGULARLY. KEEP AWAY FROM WATER AND DIRECT SUNLIGHT. STORE IN A DRY PLACE. FOR INDOOR USE ONLY.

**WARNING:** DO NOT STAND, SIT OR LEAN ON THE TROLLEY. USE SUITABLE INSULATION UNDER HOT OR COLD ITEMS TO REDUCE RISK OF DAMAGE OR BREAKAGE. DO NOT STRIKE THE GLASS WITH HARD OR POINTED ITEMS. ENSURE THE TROLLEY IS USED ONLY ON A FLAT SURFACE. DO NOT USE THIS TROLLEY UNLESS ALL BOLTS AND SCREWS ARE FIRMLY SECURED. ADULT ASSEMBLY REQUIRED. FRAGILE, HANDLE WITH CARE. FAILURE TO FOLLOW THESE WARNINGS COULD RESULT IN SERIOUS INJURY. FOR DOMESTIC USE ONLY.

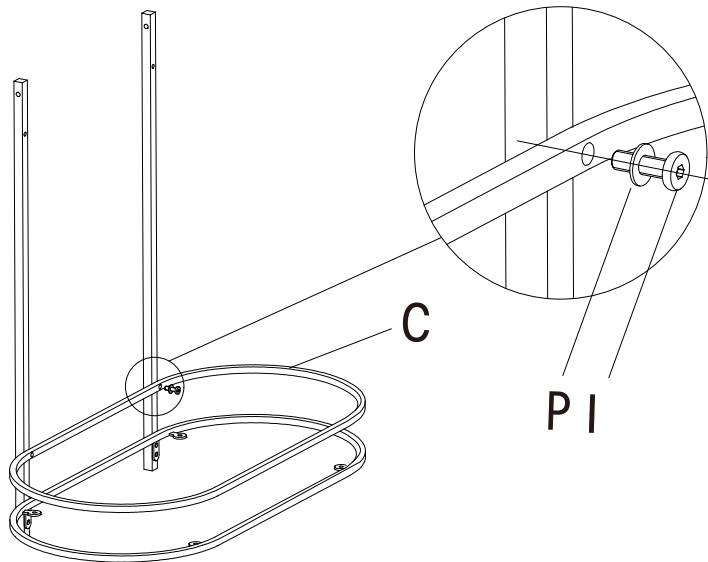
**MAXIMUM SAFE LOAD: 5KG PER SHELF.**

## Hardware list

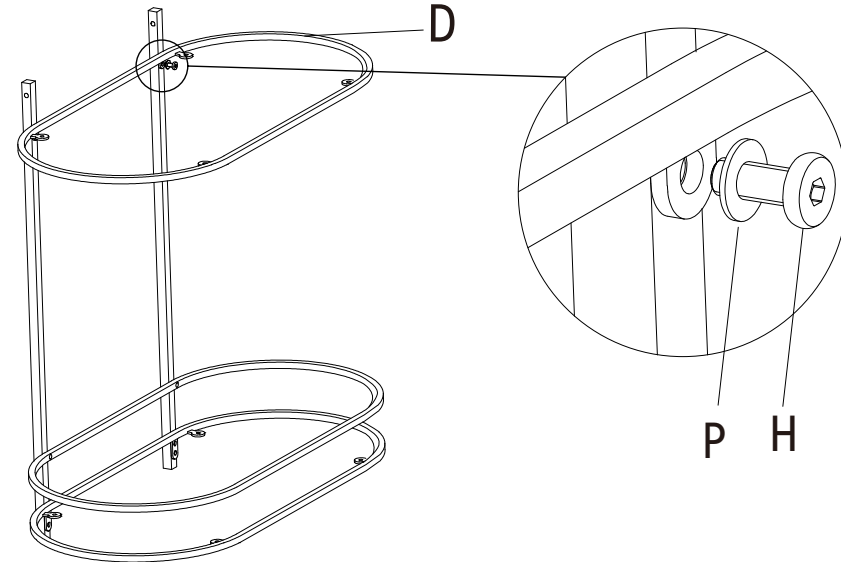
A		1pcs	F		2pcs	K		4pcs
B		4pcs	G		2pcs	L		2pcs
C		1pcs	H		12pcs	M		1pcs
D		1pcs	I		4pcs	N		1pcs
E		2pcs	J		4pcs	O		8pcs
<b>ATTENTION:</b> DO NOT TIGHTEN THE SCREWS FULLY DURING ASSEMBLY. FULLY TIGHTEN SCREWS AFTER THE FINAL ASSEMBLY STEP.						P		M6 24pcs



**Step 1:** Fix the leg (part B) on frame A with screw H & P.

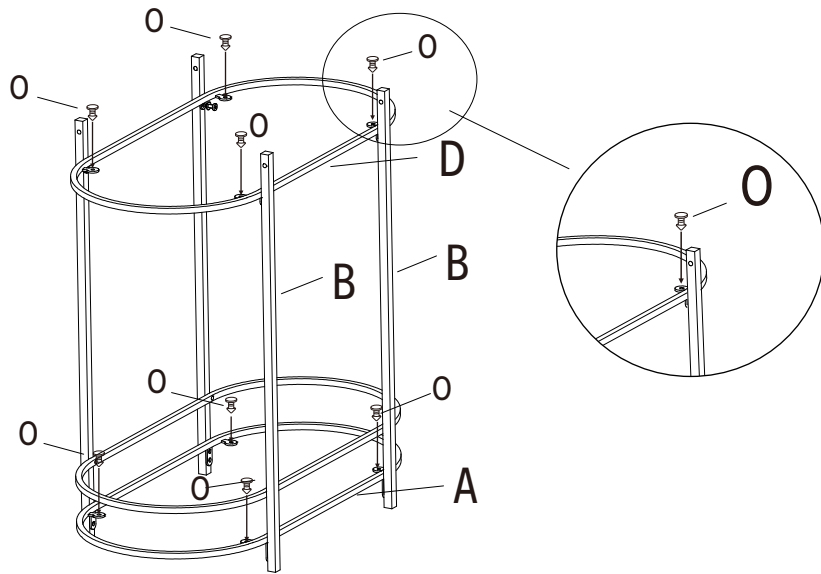


**Step 2:** Fix frame C to the part from step 1 with screw I & P.

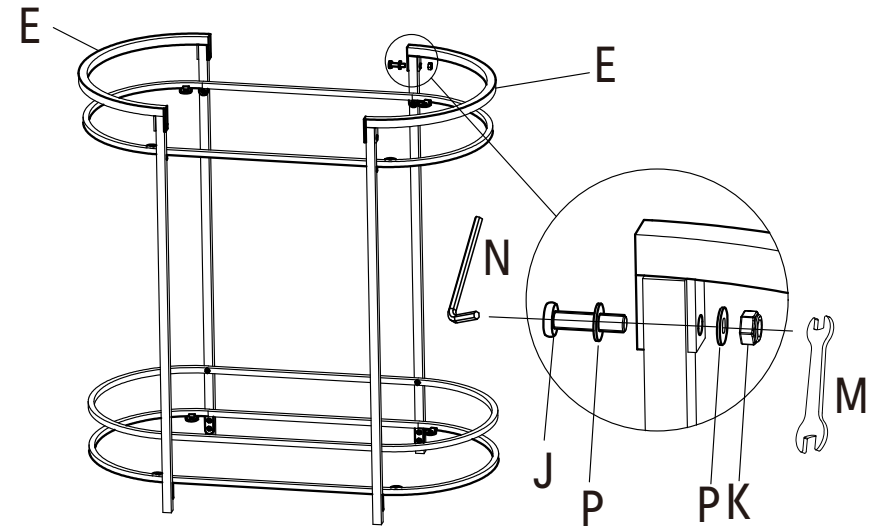


**Step 3:** Fix frame D to the part from step 2 with screw H & P.

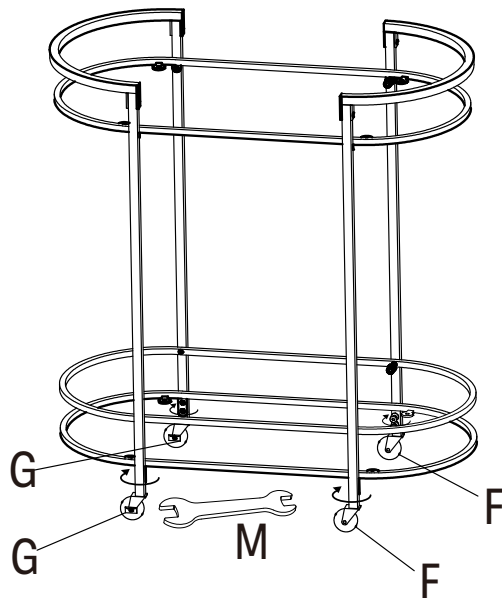
**Step 4:** Attach the remaining legs (part B) to the part from step 3. Install O in the holes of part A and part D



**Step 5:** Using the spanner M and tool N, attach the handles (PART E) with screw J & K & P.



**Step 6:** Using the spanner M, attach the wheels G & F.



**Step 7:** Ensure all the screws have been tightened before turning the trolley upright. Put the glass (part L) on the trolley (as per below diagram).

