

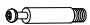





Assembly Instruction






CARE INSTRUCTIONS: WIPE CLEAN WITH A DRY CLOTH. DO NOT USE ABRASIVE MATERIALS AND SOLVENTS. CHECK AND TIGHTEN ALL PARTS REGULARLY. DO NOT PLACE HOT ITEMS SUCH AS COFFEE CUPS DIRECTLY ON THE SURFACE. KEEP AWAY FROM WATER AND DIRECT SUNLIGHT. STORE IN A DRY PLACE. FOR DOMESTIC USE ONLY. FOR INDOOR USE ONLY. A MILD ODOUR MAY BE PRESENT WHEN FIRST OPENING THIS CARTON. SIMPLY ALLOW TO AIR OUTSIDE AND THIS WILL FADE.

WARNING: DO NOT STAND OR SIT ON THIS UNIT. DO NOT USE THIS UNIT UNLESS ALL BOLTS AND SCREWS ARE FIRMLY SECURED. DO NOT KNOCK OR DRAG THIS UNIT. USE ONLY ON A FLAT SURFACE. ADULT ASSEMBLY REQUIRED. FAILURE TO FOLLOW THESE WARNINGS COULD RESULT IN SERIOUS INJURY. LOAD DRAWER EVENLY TO PREVENT FROM TIPPING OVER. THIS PACKAGE CONTAINS SMALL PARTS AND SHARP POINTS. KEEP AWAY FROM CHILDREN AND BABIES. **MAXIMUM SAFE LOAD: 10KG FOR TOP PANEL, 5KG FOR INSIDE DRAWER.**

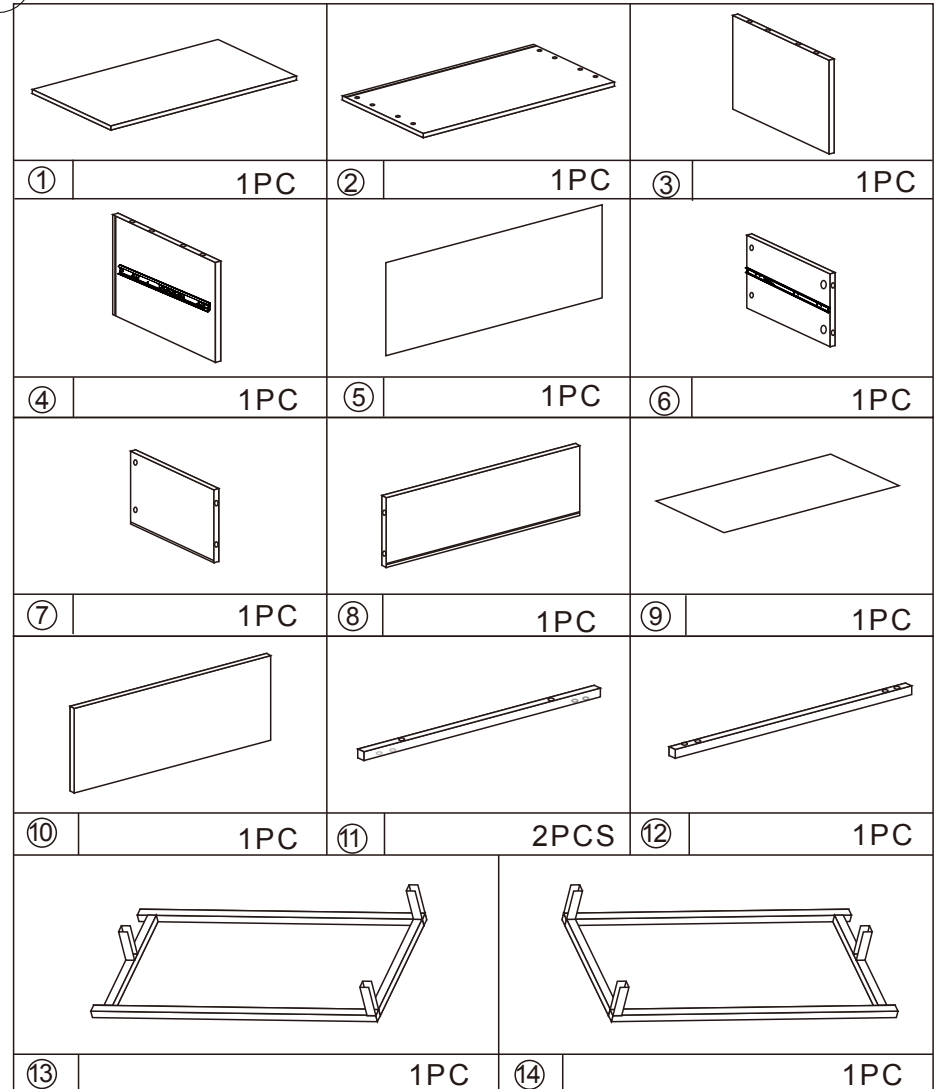
1

Hardware List

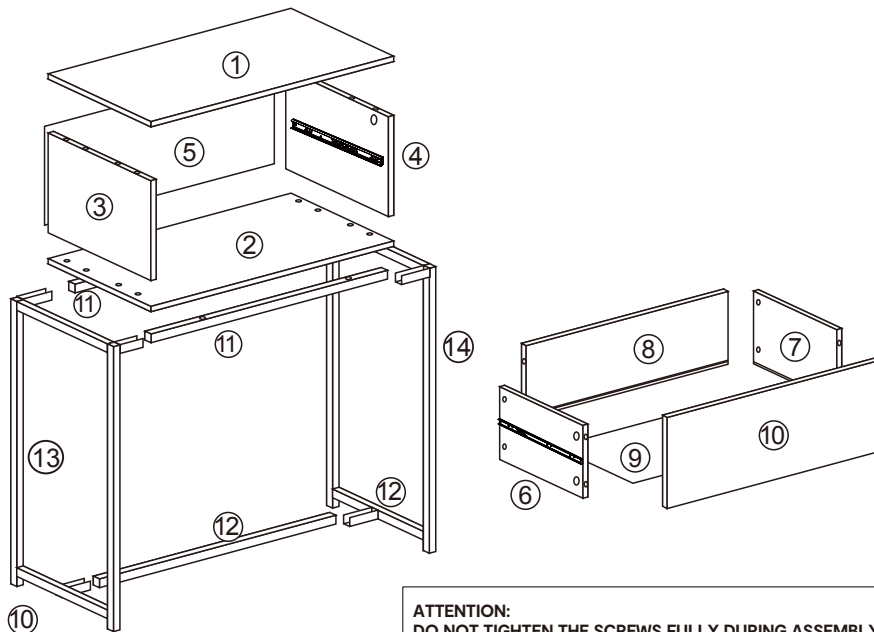
	a	6x35mm	8pcs
	b	15x9.5mm	8pcs
	c	6x30mm	8pcs
	d	4x35mm	4pcs
	e	4x25mm	6pcs
	f	6x15mm	12pcs

	g	100x40mm	1pcs
	h	3x12mm	2pcs
	i	20x150mm 3.5x12mm	1pcs
	j	∅6x30mm ∅4x35mm	1pcs
	k	4x30mm	4pcs

2

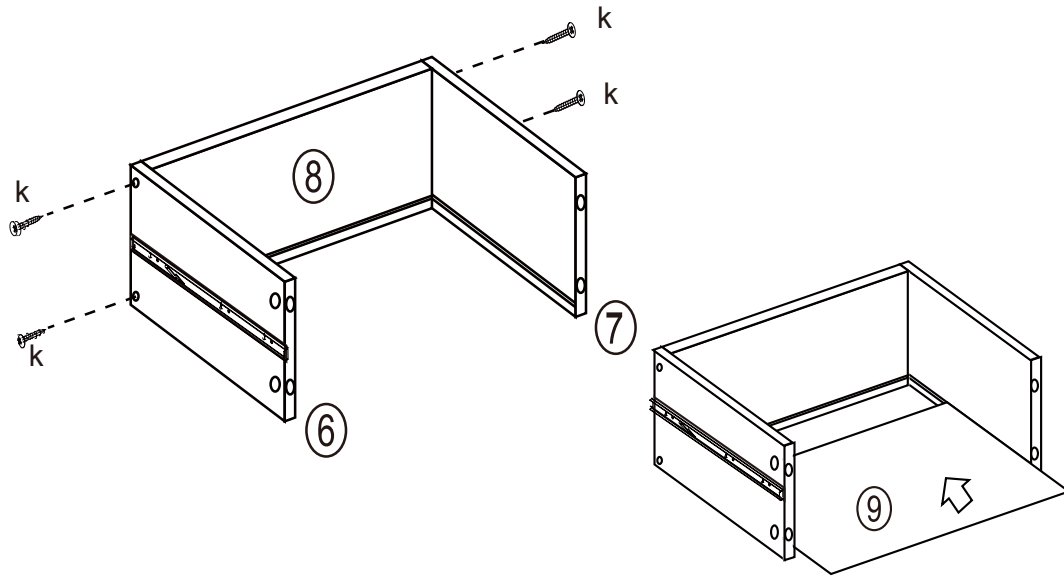


3

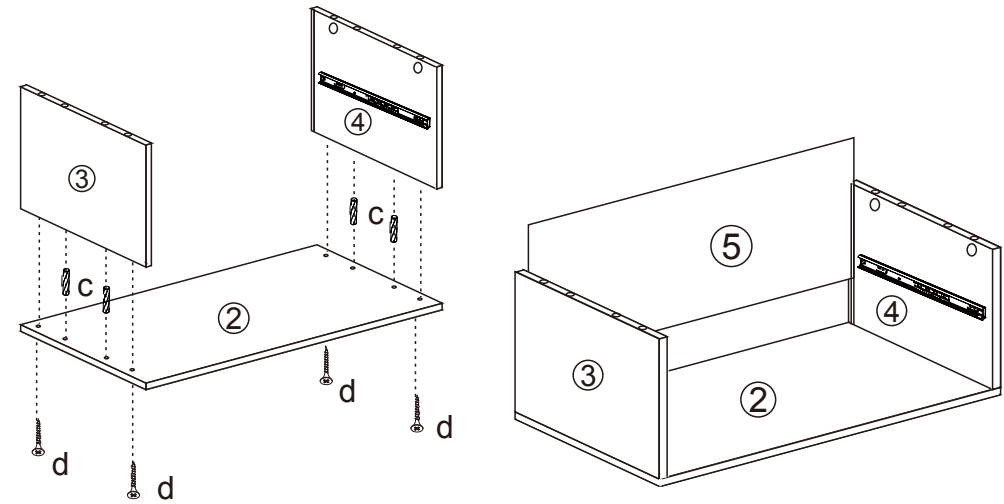


ATTENTION:
DO NOT TIGHTEN THE SCREWS FULLY DURING ASSEMBLY.
FULLY TIGHTEN SCREWS AFTER THE FINAL ASSEMBLY STEP.

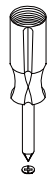
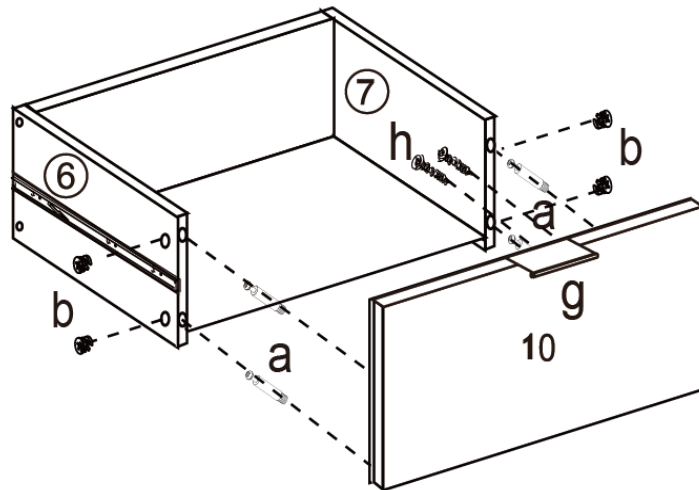
Step 1: Assemble board ⑥, ⑦, ⑧ with screws (Part k). Slide board ⑨ into corresponding position (as per below diagram). Ensure it is fully fitted in the groove.



Step 3: Put part c into the corresponding position (as per below diagram). Attach board ③ & ④ to board ② with screw d. Slide board ⑤ into the corresponding position. Ensure it is fully fitted in the groove.

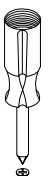
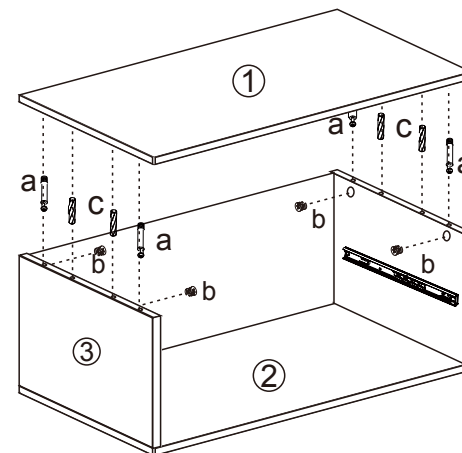


Step 2: Attach part g on board ⑩ with screw h. Fix screw a onto board ⑩ and put part b into the corresponding position (as per below diagram). Attach board ⑩ to the part from step 1 and then fix part b with a screwdriver. Ensure all parts align.



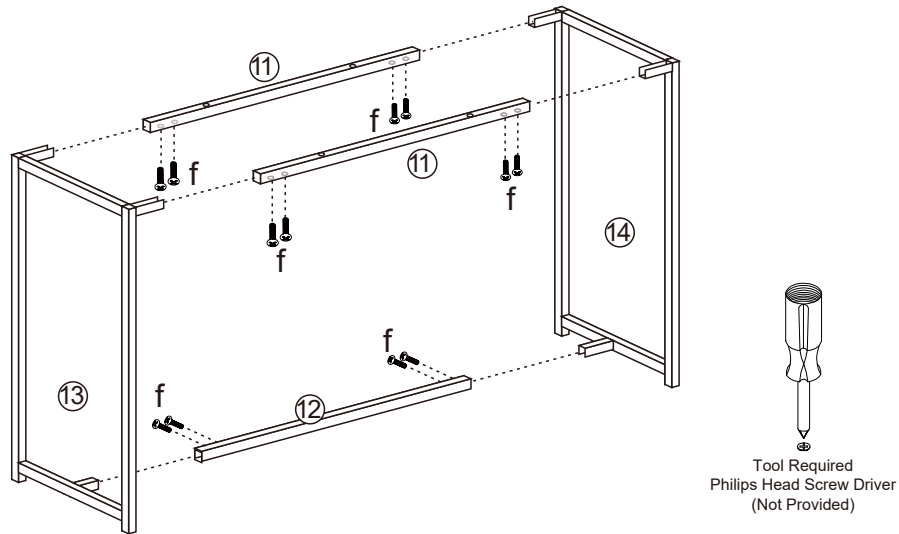
Tool Required
Philips Head Screw Driver
(Not Provided)

Step 4: Put part b & c into the corresponding position (as per below diagram) and fix screws a onto board ①. Join board ① to the part from step 3 and fix part b with a screwdriver. Ensure all parts align.

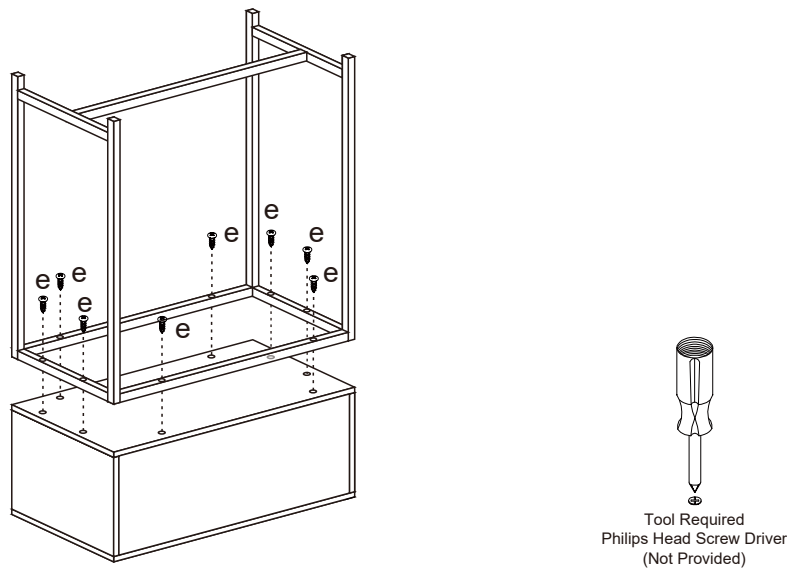


Tool Required
Philips Head Screw Driver
(Not Provided)

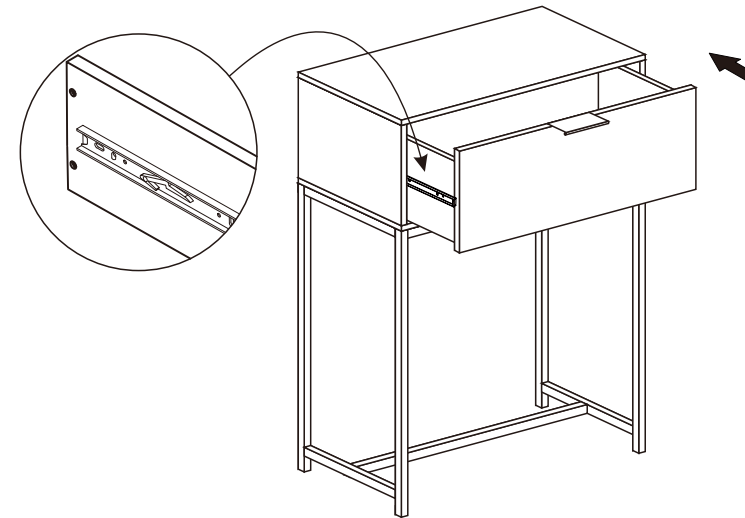
Step 5: Fix part ⑪ & ⑫ to part ⑬ & ⑭ with screw f.



Step 6: Assemble the part from step 5 to the part from step 4 with screw e.



Step 7: Slide the drawer (from step 2) into the unit. Assembly is complete.



Note: this drawer comes with wall fixing attachments (i & j). Please use if you wish to secure this drawer to a wall.