

anko

**Hot Plate
JB-2011T
User Manual**




**PLEASE READ AND SAVE THESE
INSTRUCTIONS FOR FUTURE REFERENCE**

IMPORTANT SAFEGUARDS



When using electrical appliances, basic safety precautions should always be followed including the following:

1. Read all instructions before using this Hot Plate.
2. Always ensure the appliance is only used by a responsible adult.
3. Always use the appliance on a stable level surface, close to a power socket and out of reach of children.
4. Always turn the temperature control knob to “0” setting and disconnect from the power outlet when not in use and before cleaning.
5. If the supply cord is damaged, it must be replaced by a qualified electrician in order to avoid a hazard, or the product must be disposed of.
6. Always remove the plug from the power socket to disconnect. Do not pull the plug out by the cord.
7. Always ensure that food is cooked in a pan or saucepan, do not attempt to cook food directly on the hot plate.
8. Always ensure that the cookware used on the hot plate does not project beyond the area of the hot plate or overhang the controls.
9. Keep the appliance and its cord out of reach of children less than 8 years.
10. This appliance is intended to be used in household and similar applications such as:
 - staff kitchen areas in shops, offices and other working environments;
 - farm houses;
 - by clients in hotels, motels and other residential type environments;
 - bed and breakfast type environments.
11. Do not use the appliance outdoors or for commercial purpose. Any other use will void the warranty.
12. To protect against risk of electrical hazards, do not immerse the appliance power cord or plug in water or any other liquids.
13. Never let the power cord hang over the edge of a counter or table.
14. Never leave this appliance unattended during use.
15. Never allow children to use this appliance, close supervision is necessary when this appliance is in use near children.
16. Never touch the housing and hot plates when in use, as they get hot and may cause injury.
17. Never leave oil or fat that is being heated unattended. This is a fire risk.
18. Never operate the appliance by means of an external timer or separate remote-control system.
19. Do not place on or near a hot gas or electric burner.
20. Do not use an extension cord with this appliance.
21. Do not dismantle and repair the appliance by yourself. **DANGER OF AN ELECTRIC SHOCK!**
22. Do not allow this appliance to touch curtains, wall coverings, clothing, dish towels or other flammable material during use.
23. Do not operate the appliance inside appliance cabinet or under a wall cabinet. When storing in an appliance cabinet, always unplug the unit from an electrical power outlet and ensure the appliance has completely cooled down.

24.  Caution, hot surface. Care must be taken. The surfaces are liable to get hot during use.
25. This appliance is not intended for use by persons (including children) with reduced physical, sensory or mental capabilities, or lack of experience and knowledge, unless they have been given supervision or instruction concerning use of the appliance by a person responsible for their safety.
26. Children should be supervised to ensure that they do not play with the appliance.
27. Only plug the appliance into 220-240V 50Hz electrical power outlet.
28. **WARNING:** If the surface is cracked, switch OFF the appliance to avoid the possibility of electric shock.

Notes on the plug

Connect to properly earthed power outlet socket only. Do not attempt to modify the plug in any way.

SAVE THESE INSTRUCTIONS FOR HOUSEHOLD USE ONLY

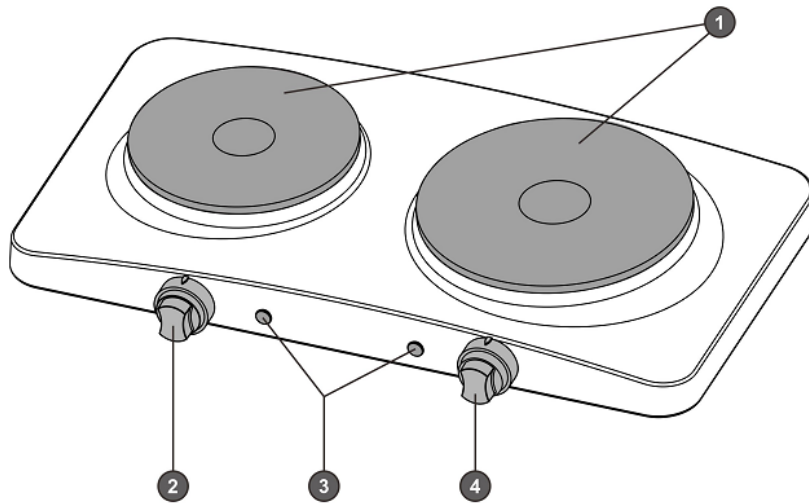
This product has been designed to offer you the following benefits:

1. Independent cooking controls - for optimum cooking flexibility.
2. Small and large hotplates - accommodates both small and large pans.

IMPORTANT! Use of any electrical equipment should be undertaken with care.
Please read the important safeguards before first use.

This appliance is for household use only.

FEATURES



1. Hot Plates (Small- 900W, Large-1400W)
2. Temperature control knob for 900W small hotplate
3. Neon power indicators
4. Temperature control knob for large 1400W hotplate

BEFORE FIRST USE

1. Remove all packing materials.
2. Before using for the first time, turn the hot plates ON by turning the temperature control knob to the highest heat setting and heat up for several minutes. This will burn off any residue left from manufacture. Some odor and smoke could develop during this process, this normal. Ensure good ventilation and it should disappear after few minutes of use.

IMPORTANT! This should be the only time the hotplate is turned ON without a cooking utensil on it. Never switch ON the hot plates without placing a cooking utensil with food/liquid.

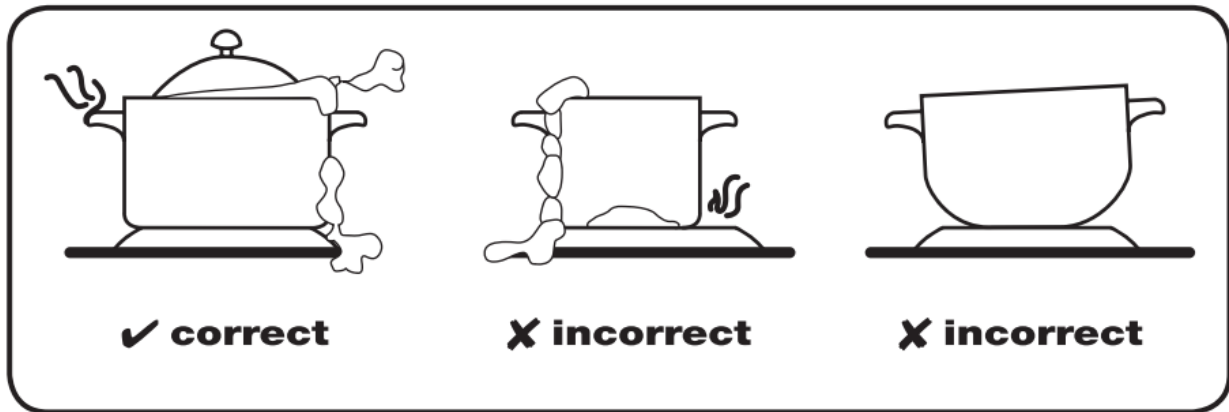
OPERATION

For the most efficient operation, the cookware used should have a solid and even flat base, a diameter of approximately 15cm to 17cm and a maximum capacity of 1L (for use on the 900W hot plate).

Cookware with a base smaller than the diameter of the boiling ring should not be used.

1. Cooking utensils, regardless of their size, should not protrude beyond the boiling ring or intrude into the area of close proximity of the controls.

IMPORTANT! Utensils with convex, concave or uneven bottoms should not be used.




2. Turn the controls to the required temperature setting to achieve the desired temperature.
3. Use the following guide as a reference.

Note: Both hot plates can be used at the same time. However, care must be exercised to prevent the cookware handles from protruding over the adjacent hot plate.

IMPORTANT! When not in use, always turn the temperature control knob to "0" position and then disconnect from mains power outlet.

Note: The neon power indicator will switch OFF when the appliance reaches the selected temperature and will cycle ON and OFF as it maintains the selected temperature setting.

NOTE: The below operating temperatures for each setting on the dial is for reference only.

	Adjustable temp. setting	Approximate temperature on small hot plate	Approximate temperature on large hot plate
	0	Off	Off
	1	110°C	120°C
	2	190°C	200°C
	3	270°C	280°C
	4	320°C	340°C
	5	370°C	370°C

CLEANING

1. Disconnect from the power outlet and allow the hot plates to completely cool down.
2. Do not immerse the appliance in any liquid.
3. Do not allow the cord to touch any hot surfaces.
4. Clean the painted surface with a damp soft cloth.
5. Baked-on marks can be removed with a mild kitchen cleaner or a cloth moistened with mild detergent.

6. Wipe with a dry cloth or paper towel and allow to completely dry.
7. Commercially available double boiling ring cleaners are recommended to preserve the natural finish of the appliance.

NOTE: If the supply cord is damaged, it must be replaced by a qualified electrician in order to avoid a hazard, or the product must be disposed of.

MAINTENANCE

This appliance requires little maintenance. It contains no user serviceable parts. Do not use the unit if it appears damaged in any way. Do not attempt to repair the unit by yourself. Any servicing that requires dis-assembly other than cleaning must be performed by a qualified appliance repair technician.

STORAGE

Unplug the hot plate. Store the appliance in a cool, dry location and out of reach of children.

TECHNICAL DATA

Model No.: JB-2011T

Voltage: 220-240V~ 50-60Hz

Power: 1900-2300W

Small hotplate - 155mm diameter

Large hotplate - 185mm diameter

12 Month Warranty

Thank you for your purchase from Kmart.

Kmart Australia Ltd warrants your new product to be free from defects in materials and workmanship for the period stated above, from the date of purchase, provided that the product is used in accordance with accompanying recommendations or instructions where provided. This warranty is in addition to your rights under the Australian Consumer Law.

Kmart will provide you with your choice of a refund, repair or exchange (where possible) for this product if it becomes defective within the warranty period. Kmart will bear the reasonable expense of claiming the warranty. This warranty will no longer apply where the defect is a result of alteration, accident, misuse, abuse or neglect.

Please retain your receipt as proof of purchase and contact our Customer Service Centre on 1800 124 125 (Australia) or 0800 945 995 (New Zealand) or alternatively, via Customer Help at Kmart.com.au for any difficulties with your product. Warranty claims and claims for expense incurred in returning this product can be addressed to our Customer Service Centre at 690 Springvale Rd, Mulgrave Vic 3170.

Our goods come with guarantees that cannot be excluded under the Australian Consumer Law. You are entitled to a replacement or refund for a major failure and compensation for any other reasonably foreseeable loss or damage. You are also entitled to have the goods repaired or replaced if the goods fail to be of acceptable quality and the failure does not amount to a major failure.

For New Zealand customers, this warranty is in addition to statutory rights observed under New Zealand legislation.