

anko

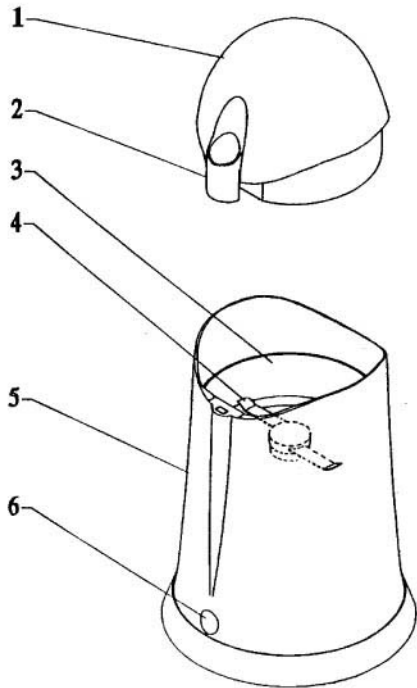
COFFEE GRINDER INSTRUCTION MANUAL



Model No.: PCML2012

220-240V 50/60Hz 150W

PLEASE RETAIN THESE INSTRUCTIONS FOR FUTURE REFERENCE



DESCRIPTION

1 – Transparent lid

2 – Safety switch

3 – Container

4 – Fly cutter

5 – Casing

6 – Pilot lamp

BEFORE READING PLEASE FOLD OUT THE PAGES WITH ILLUSTRATIONS

IMPORTANT SAFEGUARDS

BEFORE USING THE APPLIANCE, PLEASE READ ALL INSTRUCTIONS

1. DO NOT use if the appliance is damaged or defective.
2. For safe operation of the appliance, assemble as described in the user instructions and follow all instructions/labels found on the item.
3. Always remove the mains plug from the wall socket, if problems occur during use and before cleaning the appliance.
4. In case of a defect, separate the appliance from the mains (pull out the mains plug).
5. Do not pull on the connection cord always disconnect mains power by pulling out the mains plug.
6. Avoid coming in contact with any moving parts.
7. The use of attachments not supplied with this item may cause fire, electric shock or injury.
8. Do not pull the mains power cord over sharp edges, come in contact with hot surfaces (including the stove) or use it for carrying.
9. Do not pull the connection cord over heated hotplates or open flames.
10. Any repairs to the item outside warranty must be performed by a qualified electrical person.
11. Do not use outdoors.
12. Children must not use electrical appliance except under strict supervision.
13. Clean appliance only with a dry or a moist cloth, making sure that you pull out the mains plug first without fail. Never immerse the appliance in water. Blades are sharp handle carefully. Unplug before inserting or removing parts.
14. The item is fitted with mains supply cord and plug approved for Australia. Do not attempt to modify the cord or plug in any way.
15. This appliance is not intended for use by persons(including children) with reduced physical, sensory or mental capabilities, or lack of experience and knowledge, unless they have been given supervision or instruction concerning use of the appliance by a person responsible for their safety.

16. children should be supervised to ensure that they don't play with the appliance.
17. This appliance is intended to be used in household and similar applications such as:
 - staff kitchen areas in shops, offices and other working environments;
 - farm houses;
 - by clients in hotels, motels and other residential type environments;
 - bed and breakfast type environments.
18. Switch off the appliance and disconnect from supply before changing accessories or approaching parts that move in use

SAFETY INSTRUCTIONS FOR USING THE APPLIANCE

- * Grind only coffee in this appliance.
- * If you use the appliance without an interruption for more than 20 minutes allow the item to cool down for 30 minutes before using again.
- * When not in use and during cleaning, disconnect item from mains power.
- * For electrical safety, if the supply cord is damaged it must be replaced by a qualified electrical person or the item must be discarded.

GRINDING COFFEE

- * Fill with the required amount of coffee (max.36g). Put on lid with switch.
- * Press switch down.
- * The fineness of the ground coffee depends on the quantity of beans and the grinding time.
- * To grind ground coffee, the following quantities and times apply:
 - 12g: max. 20 sec.
 - 24g: max. 25 sec.
 - 36g: max. 30 sec.
- * Shorter grinding times result in somewhat coarser coffee grains.
- * Also observe the fineness specifications in the user instructions on your coffee making machine.
- * Release the switch and wait until the fly cutter comes to a halt before removing the lid.

CLEANING

- * Remove mains plug. Clean the container and lid with a brush or dry cloth.
- * The lid may also be washed in cold or mild hot water.
- * Wipe the casing with a damp cloth.

12 Month Warranty

Thank you for your purchase from Kmart.

Kmart Australia Ltd warrants your new product to be free from defects in materials and workmanship for the period stated above, from the date of purchase, provided that the product is used in accordance with accompanying recommendations or instructions where provided. This warranty is in addition to your rights under the Australian Consumer Law.

Kmart will provide you with your choice of a refund, repair or exchange (where possible) for this product if it becomes defective within the warranty period. Kmart will bear the reasonable expense of claiming the warranty. This warranty will no longer apply where the defect is a result of alteration, accident, misuse, abuse or neglect.

Please retain your receipt as proof of purchase and contact our Customer Service Centre on 1800 124 125 (Australia) or 0800 945 995 (New Zealand) or alternatively, via Customer Help at Kmart.com.au -for any difficulties with your product. Warranty claims and claims for expense incurred in returning this product can be addressed to our Customer Service Centre at 690 Springvale Rd, Mulgrave Vic 3170.

Our goods come with guarantees that cannot be excluded under the Australian Consumer Law. You are entitled to a replacement or refund for a major failure and compensation for any other reasonably foreseeable loss or damage. You are also entitled to have the goods repaired or replaced if the goods fail to be of acceptable quality and the failure does not amount to a major failure.

For New Zealand customers, this warranty is in addition to statutory rights observed under New Zealand legislation.