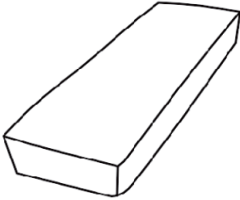






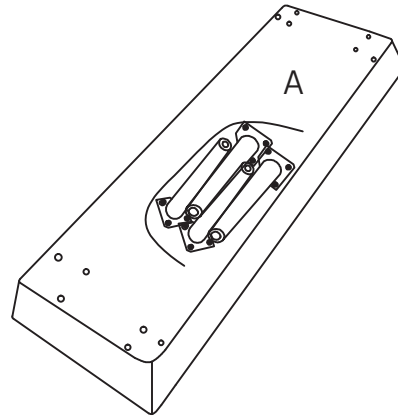
Assembly Instructions

CARE INSTRUCTIONS: WIPE CLEAN WITH A SOFT DAMP CLOTH. NEVER USE SCOURERS, ABRASIVES OR CHEMICAL SOLVENTS. CHECK AND TIGHTEN ALL PARTS REGULARLY. STORE IN A DRY PLACE. FOR INDOOR USE ONLY.

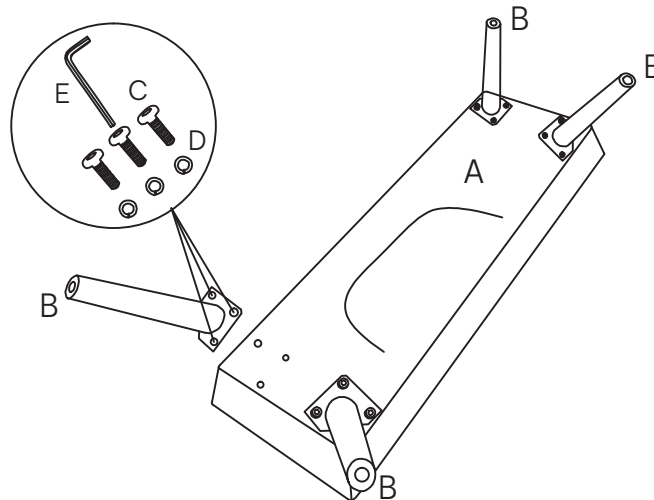
WARNINGS: DO NOT STAND ON THE BENCH. DO NOT USE THIS BENCH AS A STEP LADDER. DO NOT DRAG WHEN MOVING THE BENCH TO AVOID DAMAGING THE JOINTS. USE FOR ONE PERSON ONLY. ENSURE THE BENCH IS USED ONLY ON A FLAT SURFACE. DO NOT USE THIS BENCH UNLESS ALL SCREWS ARE FIRMLY SECURED. FOR DOMESTIC USE ONLY. KEEP AWAY FROM CHILDREN AND BABIES. THIS PACKAGE CONTAINS SMALL PARTS AND SHARP POINTS. ADULT ASSEMBLY REQUIRED. A MILD ODOUR MAY BE PRESENT WHEN FIRST OPENING THIS CARTON. SIMPLY ALLOW TO AIR OUTSIDE AND THIS WILL FADE. FAILURE TO FOLLOW THESE WARNINGS COULD RESULT IN SERIOUS INJURY. **MAXIMUM SAFE LOADING WEIGHT: 200KGS.**

Part	NO	Qty
	A	1
	B	4
 M8 x 30mm	C	12
	D	12
	E	1

Step 1: Take the legs out of the pocket of bench (Part A), as per below diagram.



Step 2: Attach the legs (Part B) onto the seat (Part A) with screws (Part C & D) using the hex key (Part E).



Step 3: The stopper on all four legs are adjustable. Adjust them to ensure the legs are levelled before using the bench.

