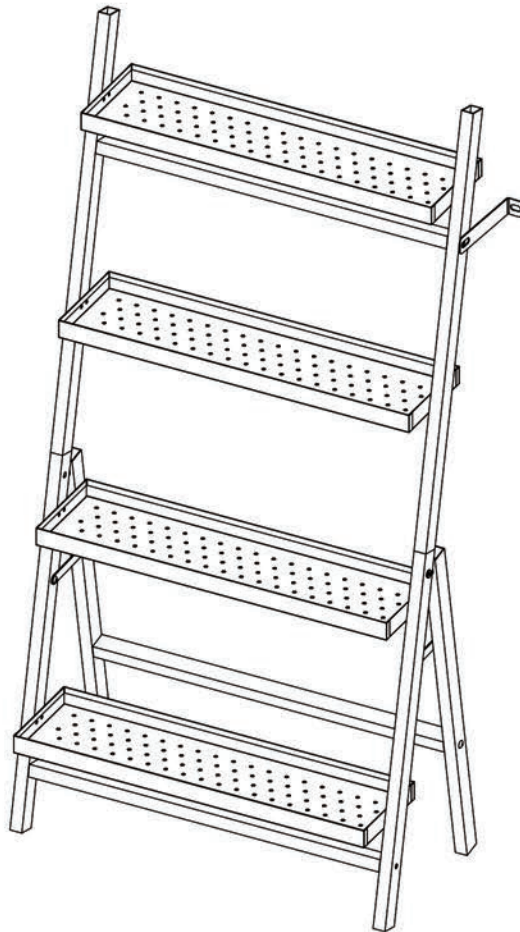


K:42635956 | T:68747756

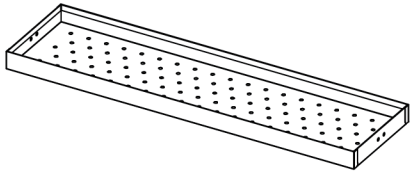
METAL TIERED PLANT STAND ASSEMBLY INSTRUCTIONS



CAUTION:

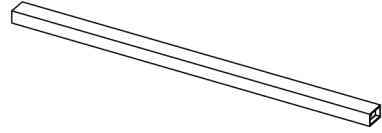
Please read instructions carefully. Remove all parts from the carton. Ensure you have all parts before you start assembling. Place all parts on a clean and flat soft surface such as carpet or a rug to prevent them from being scratched. Adult assembly required.

1



4pcs

2



3pcs

3



1pc

4



1pc

5



1pc

6



1pc

7



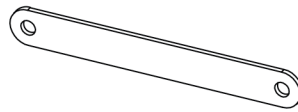
1pc

8



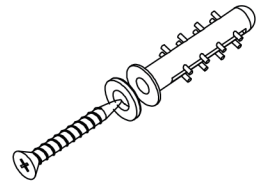
1pc

A



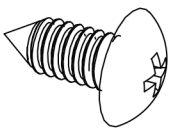
2pcs

B



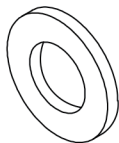
2pcs

C



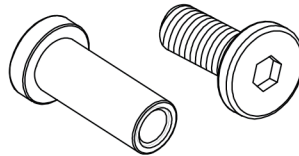
20pcs

D



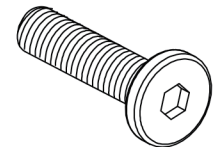
16pcs

E



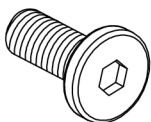
2pcs

F



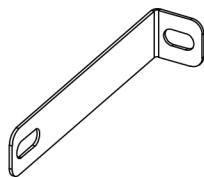
6pcs

G



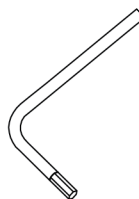
2pcs

H



2pcs

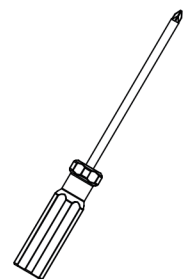
I



2pcs

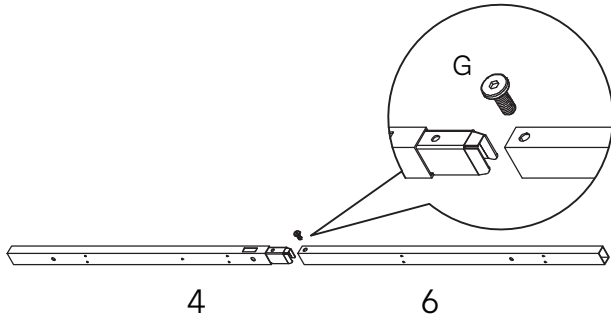
J

Tool not provided

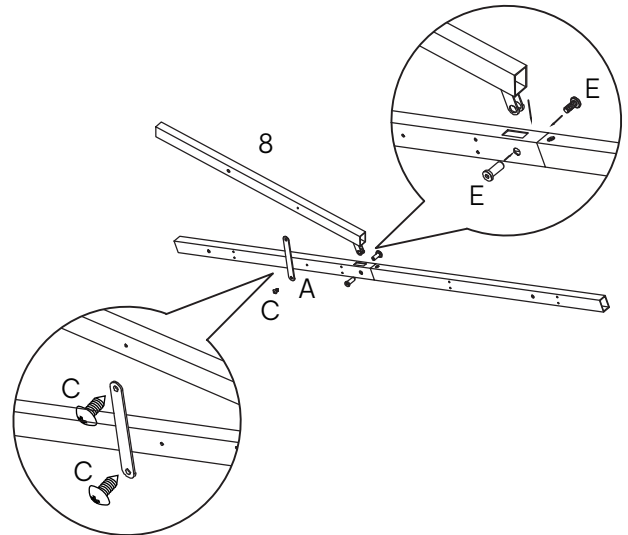


Cross screwdriver

Step 1

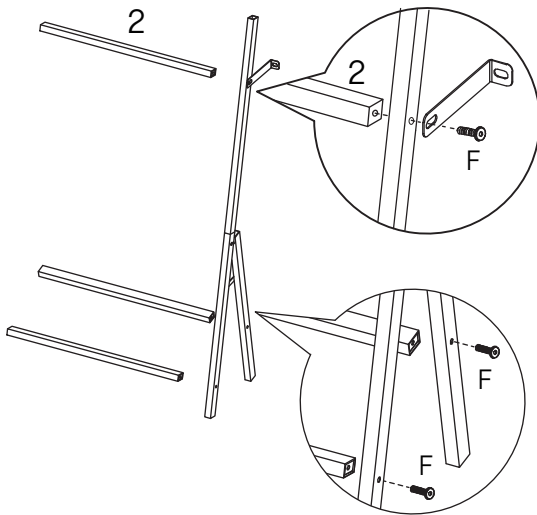


Step 2

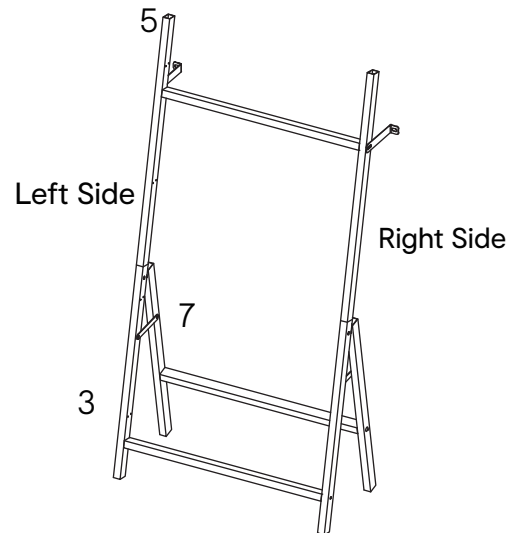


Fix the 4&8 with plate A and screw C.

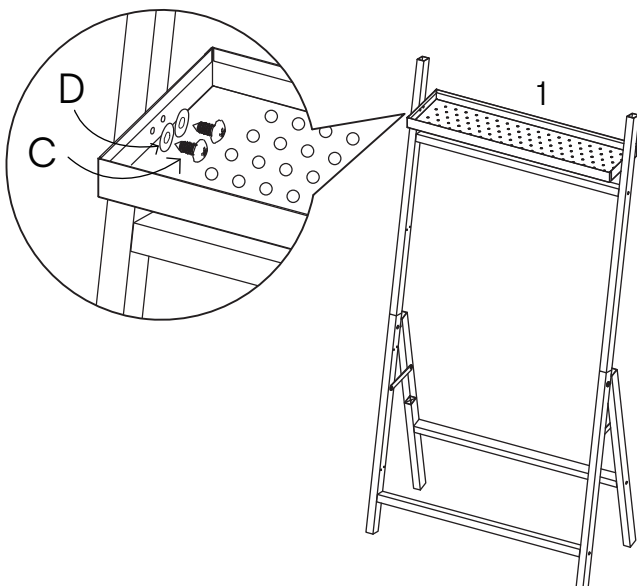
Step 3



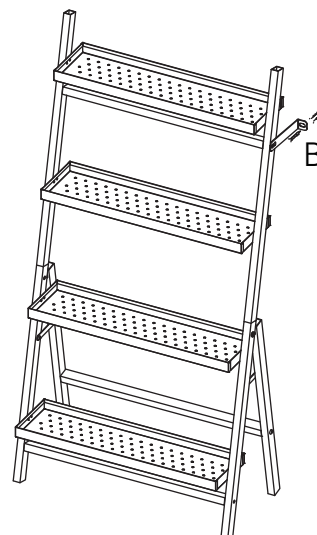
Step 4



Step 5



Step 6



Warning:
Recommended that
plant stand is affixed
to a wall/fence for
added stability

WARNING!

- 1) Do not sit or stand on this plant stand.
- 2) Do not climb on plant stand.
- 3) Ensure all bolts and screws are firmly secured before use.
- 4) Use only on an even surface.
- 5) Maximum safe loading weight: 3KGS/shelf.

Recommended that this plant stand is affixed to a wall/fence for added stability.

Failure to follow these warnings could result in serious injury.

Made in China