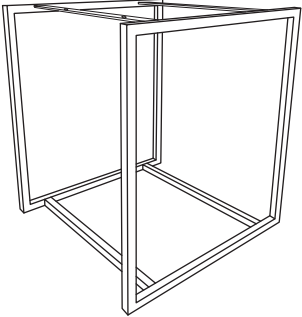
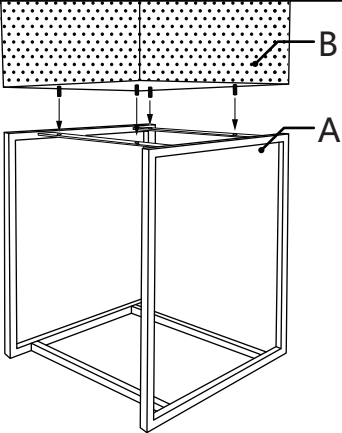
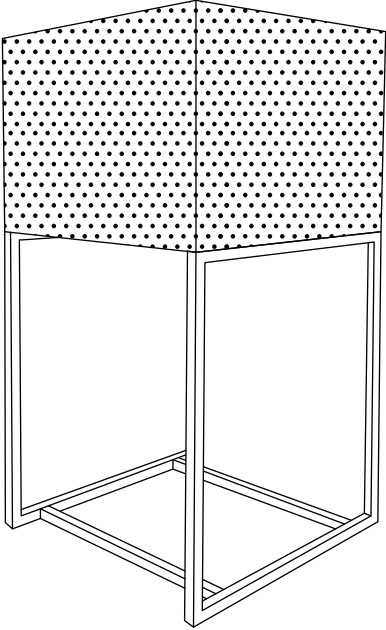
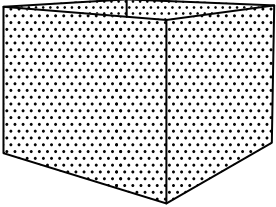



ASSEMBLY INSTRUCTIONS

TOOL REQUIRED: WRENCH

WARNING: ENSURE ALL BOLTS AND SCREWS ARE FIRMLY SECURED BEFORE USE. USE ONLY ON A FLAT AND EVEN SURFACE. MAXIMUM SAFE LOADING WEIGHT: 10KGS.

Parts List		Step1:	Finish
	Ax1		
	Bx1	Step2:	
	Cx4	