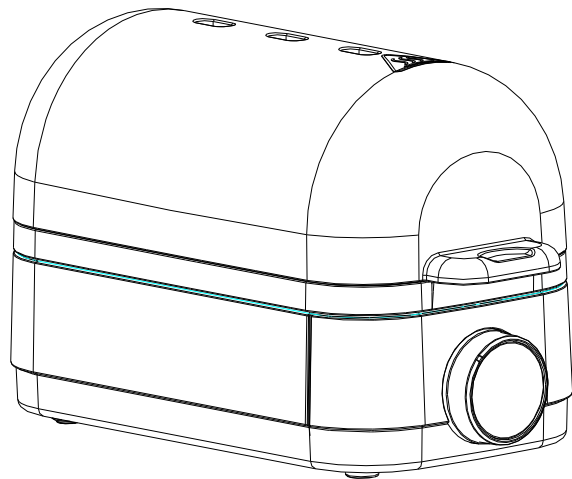

anko

Egg Boiler

Model: EB6013A



**PLEASE READ AND SAVE THESE
INSTRUCTIONS FOR FUTURE REFERENCE.**

IMPORTANT INSTRUCTIONS

1. Please read these instructions before operating and retain for future reference.
2. This appliance is not intended for use by persons (including children) with reduced physical, sensory or mental capabilities, or lack of experience and knowledge, unless they have been given supervision or instructions concerning use of the appliance by a person responsible for their safety.
3. Children should be supervised to ensure that they do not play with the appliance.
4. If the supply cord is damaged, it must be replaced by the manufacturer, its service agent or similarly qualified persons in order to avoid a hazard.
5. **CAUTION: Avoid injures from the egg pricker.**
6. Heating element surface is subject to residual heat after use.
7. Use the appliance according to this instruction manual, any misuse may cause electric shock or other hazards.
8. This appliance is intended to be used in household and similar applications such as:
 - staff kitchen areas in shops, offices and other working environments;
 - farm houses;
 - by clients in hotels, motels and other residential type

environments;

– bed and breakfast type environments.

9. To protect against electrical shock do not immerse any part of the appliance or cord in water or any other liquid.
10. Always use the appliance on a dry, clean, stable and level surface.
11. Only use the appliance for its intended purpose and indoors.
12. Always disconnect from mains power outlet socket when not in use and before cleaning.
13. Never start up the appliance without filling water into the cooking tray.
14. Do not operate the appliance if damaged, after malfunction or it has been damaged in any other manner.
15. Do not let the cord hang over the edge of a table or counter or touch hot surfaces.
16. Do not move the appliance and do not pull on the cord during operation.

CAUTION: To avoid scalding from hot water do not move the appliance while it still has hot water in it.

17. Care must be taken not to touch any hot surfaces, do not store or cover the appliance until it has fully cooled down.
18. Do not place this appliance on or near a hot gas or

electric burner, in or where it could touch a heated oven, or a microwave oven.

19. Do not use harsh abrasives, caustic cleaners or oven cleaners when cleaning the appliance.
20. Leave the appliance cool down in a safe place, inaccessible to children, before you clean it.
21. The appliance is not designed for commercial purposes.
22. **Danger if swallowed:** Lay the egg pricker protector in a safe place, do not allow children to play with it.
23. **Danger of electric shock:** Never attempt to repair the appliance yourself. Any repairs to the product must be carried out by a qualified electrical person only.
24. **Danger of burns:** the appliance will become very hot during operation. Do not remove the top cover until you hear the buzzer. Regarding the operational details, refer to the section “OPERATING THE EGG BOILER”.

WARNING!!

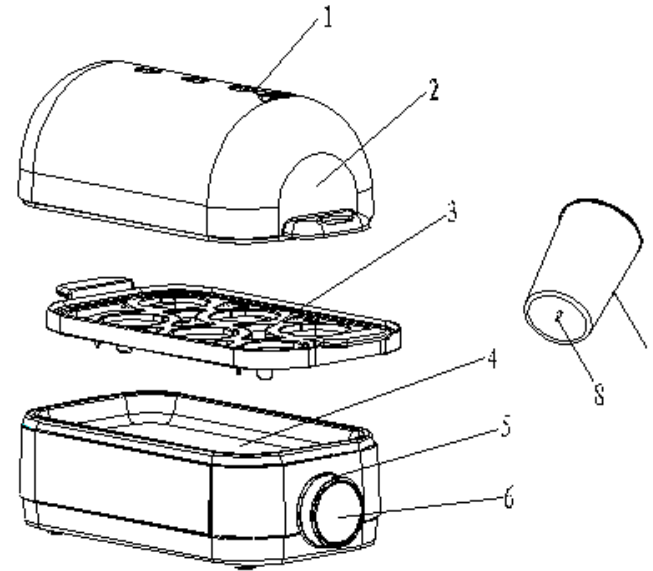
1. Hot steam escapes from the steam outlet during operation!
2. Take care when using the needle at the bottom of the measuring cup which is intended for piercing eggs. Danger of injury!
3. Keep the appliances out of reach from children or infirm persons.
4. The following marking is the safe cautionary symbol for Hot Surfaces accessible to the user. This symbol alerts you to hazards that can cause scalding.



CAUTION: Hot surface. The surface can be hot and should not be touched.

IMPORTANT! To prevent damage to the appliance do not use alkaline cleaning agents when cleaning, use a soft cloth and a mild detergent.

FEATURES OF THE EGG BOILER






1. Steam outlet
2. Top cover
3. Egg holder
4. Cooking tray
5. Switch knob
6. Indicator
7. Measuring cup with egg pricker
8. Egg pricker (covered)

SPECIFICATIONS

Rating: 220 - 240V 50-60Hz 365-435W

OPERATING THE EGG BOILER

1. Unwind the power cord up to the desired length. The egg boiler should to be placed in a level surface. Otherwise, it is likely to switch OFF early and the eggs would be undercooked.
2. Measure the required amount of water with the supplied measuring cup. The amount of water will depend on the number of eggs and the desired degree of hardness. Select between 1-6 eggs and between the three levels of hardness: soft , medium  and hard . There are different markings on the measuring cup for each of the three hardness levels. Fill clear, cold water up to the respective marking on the measuring cup and then pour this water into the cooking tray.
3. Before placing the eggs on the egg holder, pierce them at the dull side using the egg pricker at the bottom of the measuring cup. This will prevent the eggs from bursting.
4. Place the egg holder onto the cooking tray, and then place the egg(s) into the egg holder, with the blunt end of the egg(s) pointing upwards. Place the top cover on the egg holder. **Only switch ON the appliance with the top cover in place.**
5. Insert the supply cord plug into a mains power outlet socket. Rotate the switch knob to the “ON” position. The indicator will

light up and the boiling procedure will begin. When the eggs are finished cooking, the appliance will switch off and the ‘buzzer’ will ring. **Rotate the knob switch to the “OFF” position, and remove the egg holder and the top cover together from the appliance using the handles on the sides.** Put the egg holder onto a flat surface, take out the eggs, and put them under cold water in order to avoid fermentation.

6. If you do not want to enjoy the eggs at once, you can turn the switch knob to the “KEEP WARM” position when the eggs have been cooked. This will prevent the eggs from getting cold. To avoid affecting the taste, the keep-warm time does not exceed 20 minutes. Afterwards, turn the switch knob to “OFF” position, and remove the eggs as described in the paragraph above.

CAUTION: when taking off the top cover, as hot steam may escape. Only touch the cover at the handles and let the condensation drip by tilting the cover slightly.

Since the hardness level of the eggs is subject to personal taste, it might be necessary to adjust the quantity of water poured into the cooking tray, but do not fill water exceeding the uppermost marking on the measuring cup.

CARE AND CLEANING

1. Always turn the power OFF. Disconnect the appliance from mains power and allow the egg boiler to cool before cleaning.
2. Always disconnect the appliance from mains power after use. When the appliance has cooled down, clean the heating plate with a damp cloth. In case of calcium deposits, use diluted vinegar for approx. 30 min. Then rinse the cooking plate carefully. Do not use scouring cleansing agents.
3. The cooking tray is made from rust-resistant stainless steel. Any iron moulds are only residues which stick on the surface. They should be removed with a special cleansing agent for stainless steel.
4. Wipe the outside of the egg boiler with a slightly dampened cloth and polish with a soft dry cloth.

Do not immerse the unit in water or other liquid.

12 Month Warranty

Thank you for your purchase from Kmart.

Kmart Australia Ltd warrants your new product to be free from defects in materials and workmanship for the period stated above, from the date of purchase, provided that the product is used in accordance with accompanying recommendations or instructions where provided. This warranty is in addition to your rights under the Australian Consumer Law.

Kmart will provide you with your choice of a refund, repair or exchange (where possible) for this product if it becomes defective within the warranty period. Kmart will bear the reasonable expense of claiming the warranty. This warranty will no longer apply where the defect is a result of alteration, accident, misuse, abuse or neglect.

Please retain your receipt as proof of purchase and contact our Customer Service Centre on 1800 124 125 (Australia) or 0800 945 995 (New Zealand) or alternatively, via Customer Help at Kmart.com.au for any difficulties with your product. Warranty claims and claims for expense incurred in returning this product can be addressed to our Customer Service Centre at 690 Springvale Rd, Mulgrave Vic 3170.

Our goods come with guarantees that cannot be excluded under the Australian Consumer Law. You are entitled to a replacement or refund for a major failure and compensation for any other reasonably foreseeable loss or damage. You are also entitled to have the goods repaired or replaced if the goods fail to be of acceptable quality and

the failure does not amount to a major failure.

For New Zealand customers, this warranty is in addition to statutory rights observed under New Zealand legislation.