

ASSEMBLY INSTRUCTIONS

PLEASE READ INSTRUCTIONS CAREFULLY. ENSURE YOU HAVE ALL PARTS BEFORE ASSEMBLY.
ASSEMBLE FURNITURE ON A CLEAN, FLAT SURFACE SUCH AS CARPET TO AVOID SCRATCHING.
PLEASE ASSEMBLE USING HEX KEY (INCLUDED).

ATTENTION: TO ENSURE EASY ASSEMBLY, WE ADVISE ALL SCREWS TO BE PARTIALLY TIGHTENED DURING THE INITIAL ASSEMBLY. ONCE THE PRODUCT IS ASSEMBLED, ALL SCREWS SHOULD BE FULLY TIGHTENED. WE RECOMMEND A PERIODIC CHECK ON ALL FIXING POINTS TO ENSURE THEY REMAIN FULLY TIGHTENED.
DO NOT TIGHTEN THE SCREWS BEFORE ALL SCREWS ARE IN PLACE.

WARNING: THIS PACKAGE CONTAINS SMALL PARTS AND SHARP POINTS, KEEP AWAY FROM CHILDREN AND BABIES UNTIL ASSEMBLY IS COMPLETED.

DO NOT STAND, SIT OR LEAN ON THIS TABLE. DO NOT USE THE TABLE AS A CHOPPING SURFACE. DO NOT KNOCK OR DRAG THE PRODUCT. DO NOT USE THE TABLE UNLESS ALL SCREWS ARE FIRMLY SECURED.
USE ONLY ON A FLAT SURFACE.

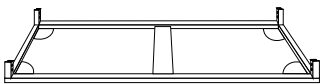
FAILURE TO FOLLOW THESE WARNINGS COULD RESULT IN SERIOUS INJURY.

MAXIMUM LOADING WEIGHT: 15KG

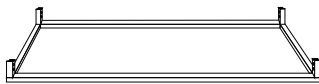
CARE INSTRUCTIONS: WIPE CLEAN WITH A DAMP CLOTH. DO NOT USE ABRASIVE MATERIALS AND SOLVENTS.
CHECK AND TIGHTEN ALL PARTS REGULARLY. STORE IN A DRY PLACE. FOR INDOOR USE ONLY.

PARTS LIST

1.-1PC



2.-1PC



3.-4PC



A.-16PC

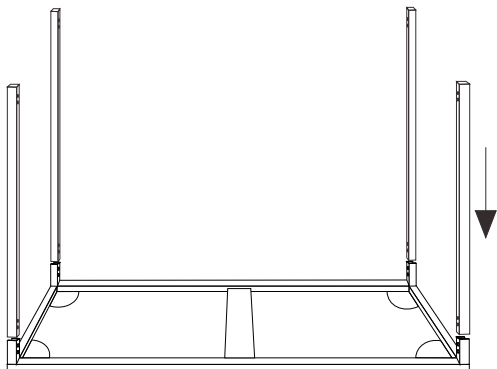


B.-1PC



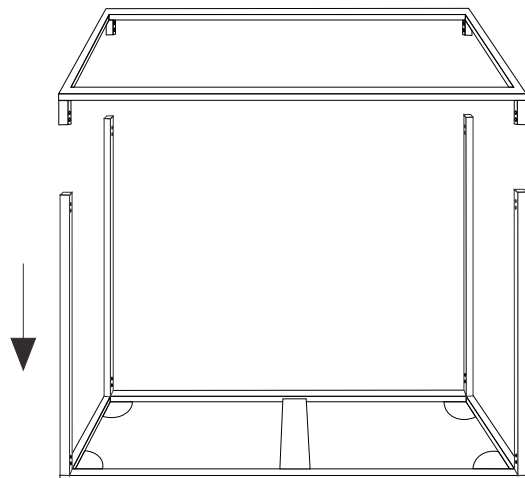
FITTINGS

1.

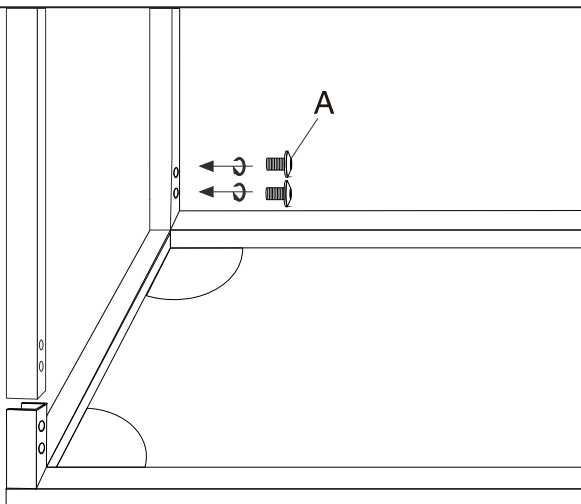


TO BE ASSEMBLED ON A CLEAN,
DRY AND SOFT SURFACE.

2.



3.



4.

