

# Pet Folding Crate

Assembly Instructions - Please keep for future reference

## Stage 1 – Assembling the Pet Crate



Keycode: 42502470  
Size: 76(W)x53(D)x57(H)CM

### IMPORTANT

1. Read these instructions carefully and familiarise yourself with the procedure before assembling the unit.
2. Ensure you have enough space to lay out all the parts before assembly.
3. To avoid scratching it is recommended that you assemble the unit on a soft level surface.

### Care and Maintenance

#### Cleaning

As with all surfaces clean with a damp cloth and mild detergent, do not use bleach or abrasive products.

#### Fitting

From time to time please ensure there are no loose parts on the product.



### IMPORTANT:

All corner locks and side wall latches need to be engaged and secured before placing pet inside crate.

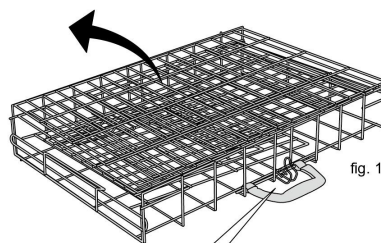


fig. 1

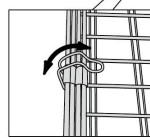


fig. 2

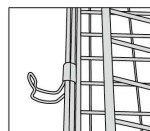


fig. 3

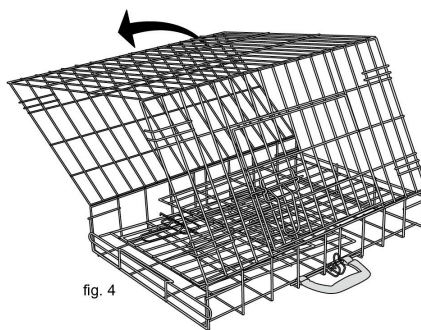


fig. 4



### NOTE:

Assemble the frame carefully and loosen the sides and hinges as they can sometimes stick together during assembly. Do not use force as this can bend and damage the wire frame.

1. Open the clasp lock of the Pet Crate.  
See fig. 1, 2 and 3.

2. Fold out the sides of the Pet Crate.  
See fig. 4.

## Assembly Instructions

### Stage 1 – Assembling the Pet Crate

3. Lift the front part of the Pet Crate into an upright position and hold it there.  
See fig. 5.

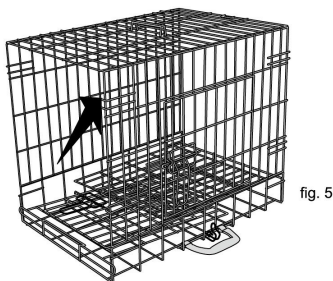


fig. 5

4. Lift the Right and Left Sides of the Pet Crate until it locks into position.  
See fig. 6.

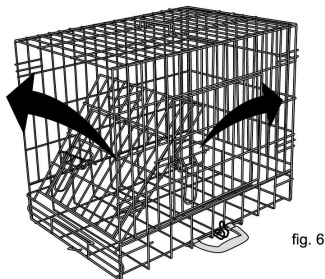


fig. 6

Lock position

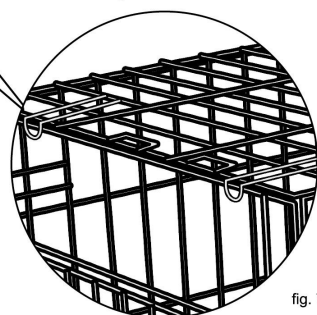


fig. 7

## Assembly Instructions

### Stage 2 – Operating the Door

NOTE: There are two doors and one tray opening on the pet crate. Ensure you lock after use.

#### Left Side Door

1. Slide open the Left Door Lock. Then open the Left Door  
See fig. 8 and 9.

#### Front Door

2. Slide open the Front Door Lock. Then open the Front Door  
See fig. 8 and 9.

#### Tray opening

3. Loosen the tray opening. Then pull and push the tray.  
See fig. 10 and 11.

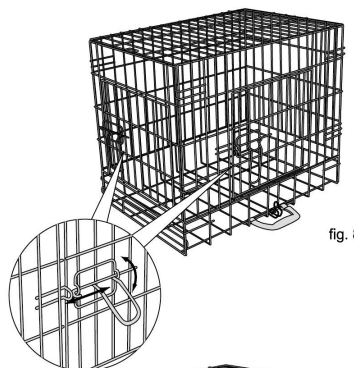


fig. 8

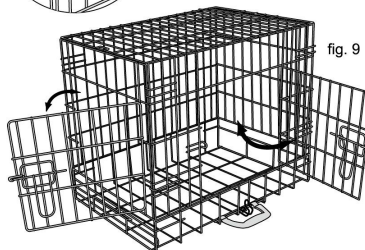


fig. 9

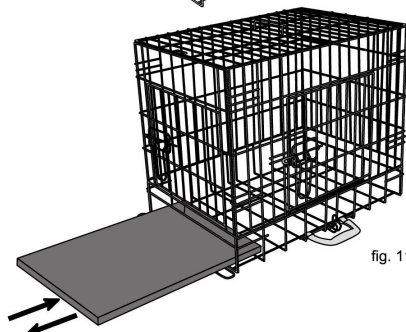


fig. 11

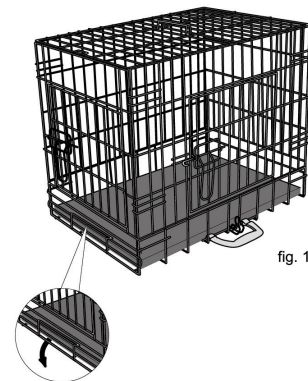


fig. 10