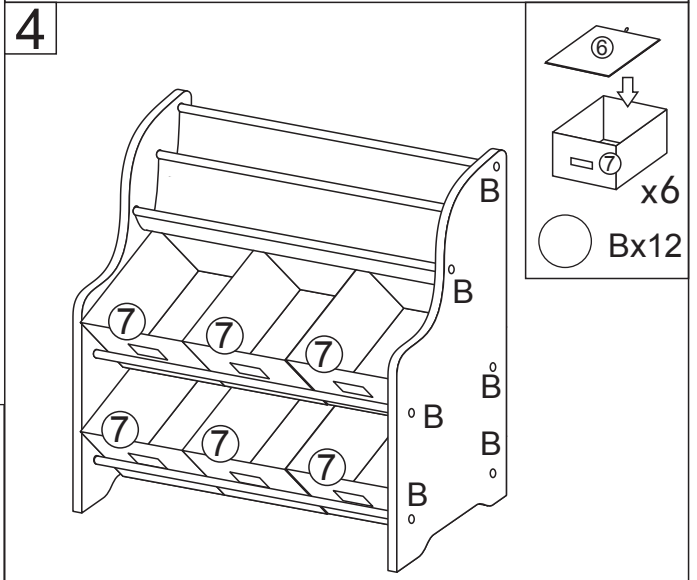
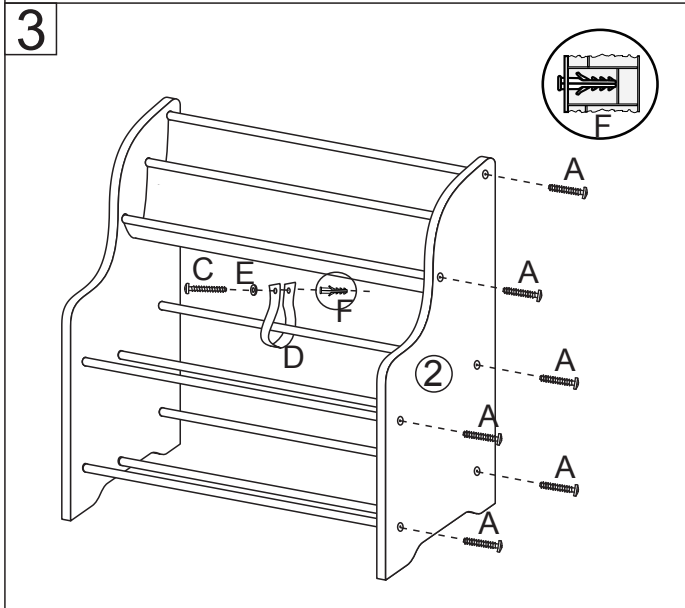
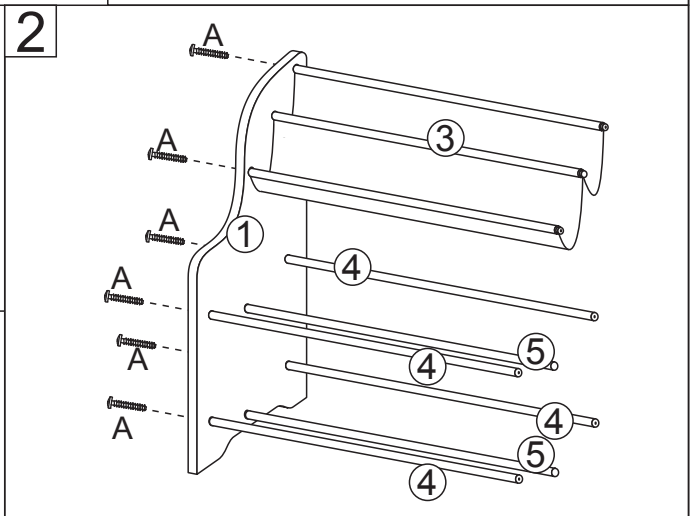
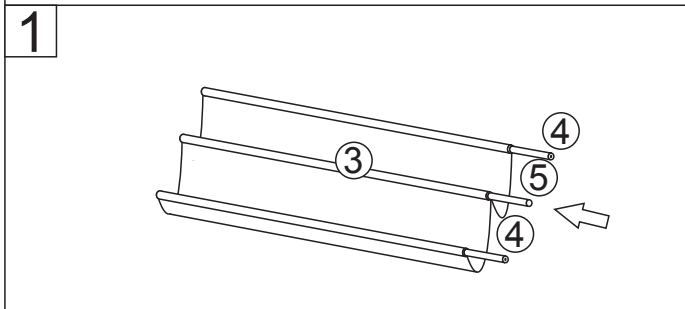
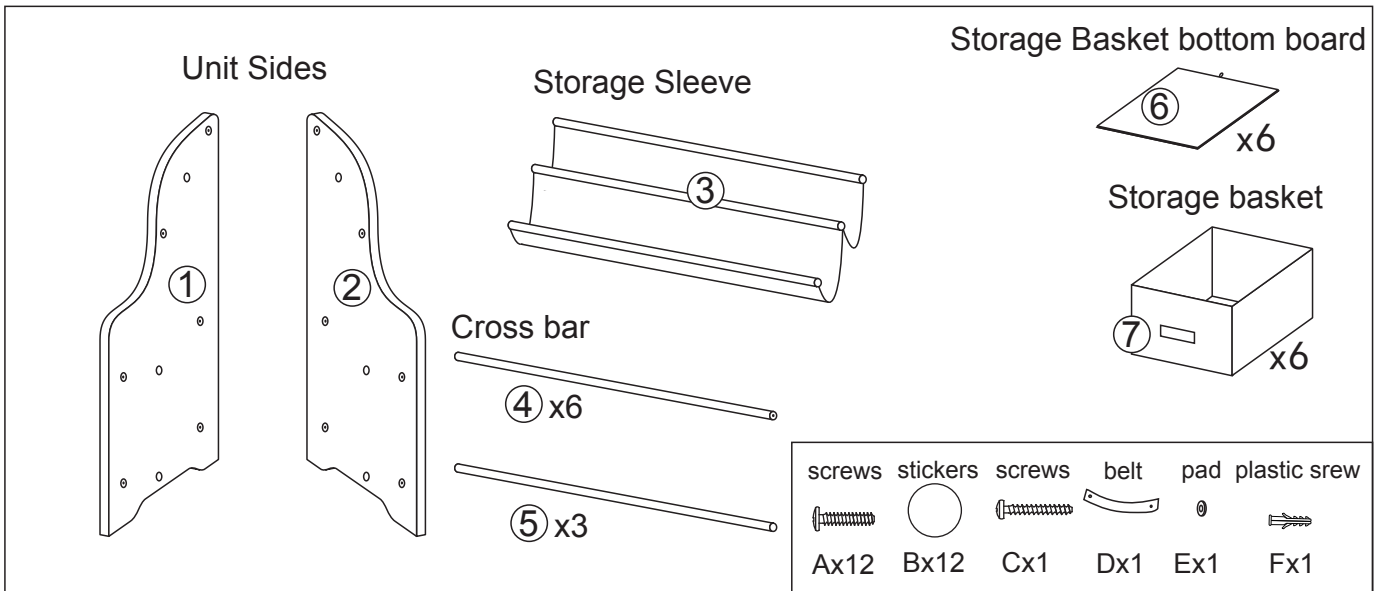


ASSEMBLY INSTRUCTIONS



WARNING: PLEASE SECURE YOUR FURNITURE WITH THE SUPPLIED WALL FIXING. SCAN THE CODE FOR MORE INFORMATION.

- ATTENTION!**
- Adult assembly required.
 - Tool required: Phillips head screwdriver.
 - Check you have listed components before commencing assembly.
 - Assemble unit by following steps 1 through 4.
 - We recommend a periodic check to make sure the screws remain fully tightened.
 - For indoor use only.
 - Load limit for each basket is 1.5kg.
 - Load limit for shelf sleeve is 5kg/per tier.
 - It is strongly recommended that this product is permanently fixed to the wall.
 - Please seek professional advice if you are in doubt of what fixing device to use.
 - Regularly check that anchors are securely maintained.
 - Stability of tall items may be affected by thick pile carpet or uneven floors.

- CAUTION:** for your safety when attaching the anchor fixings, please note the following:
- Check any electrical wires or plumbing inside the wall before drilling any holes (if you are unsure please seek professional advice from a qualified tradesperson)
- CARE INSTRUCTION,**
- Keep storage unit away from direct sunlight and water.
 - Textile components can be spot cleaned with a damp cloth.
- Do not wash or dry clean.
- WARNING!**
- Choking hazard. Hardware contains small parts.
 - Keep out of reach of children under the ages 3 years.