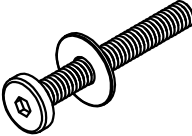






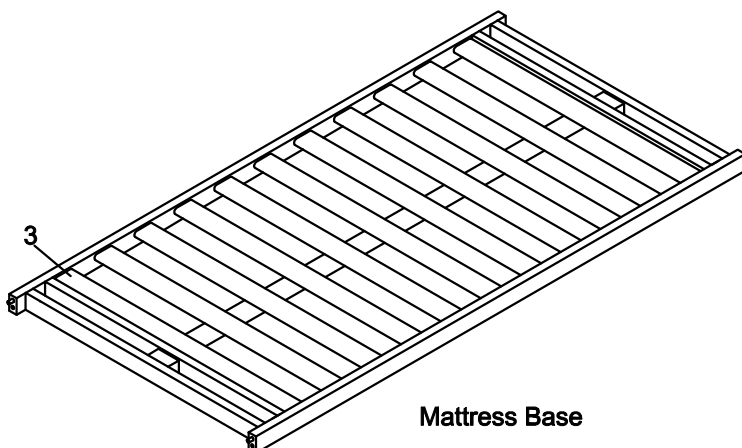
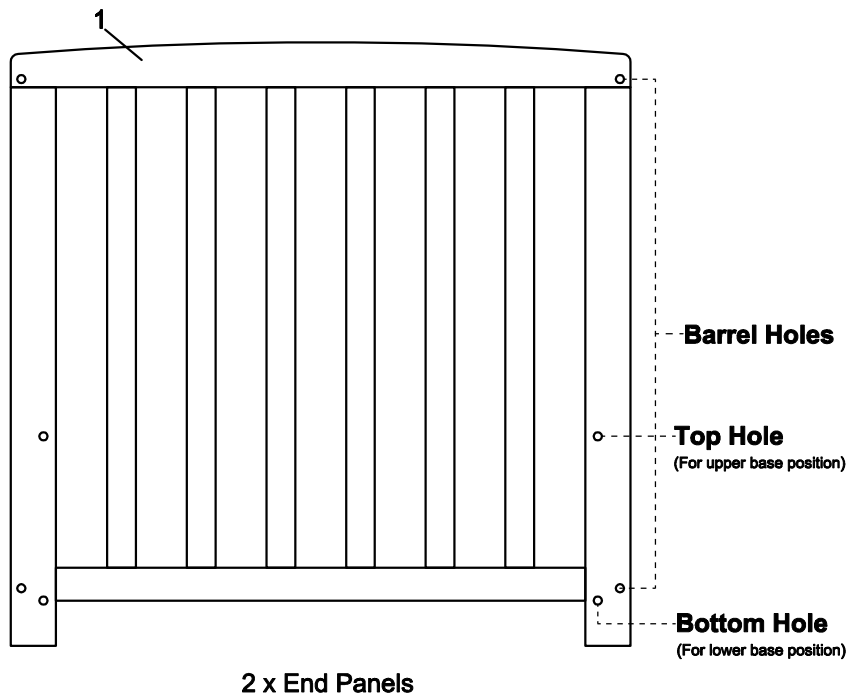
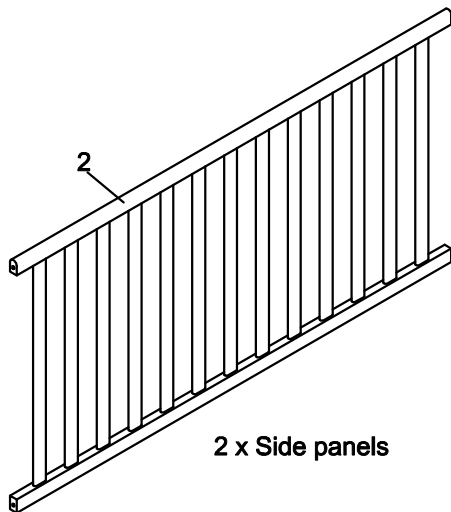
Read all instructions BEFORE assembly and USE of product. KEEP INSTRUCTIONS FOR FUTURE USE

# IMPORTANT! RETAIN FOR FUTURE REFERENCE PLEASE READ CAREFULLY

## Instruction Manual

### Parts list

12 x M6 x 50mm Connecting bolts with washers (Ø6/Ø13*1)	12 x Barrel nuts	2 x Hex Key	4 x M6 x 12mm Connecting bolts with washers (Ø6/Ø13*1)	4 x Cap nuts
A 	B 	C 	D 	E 



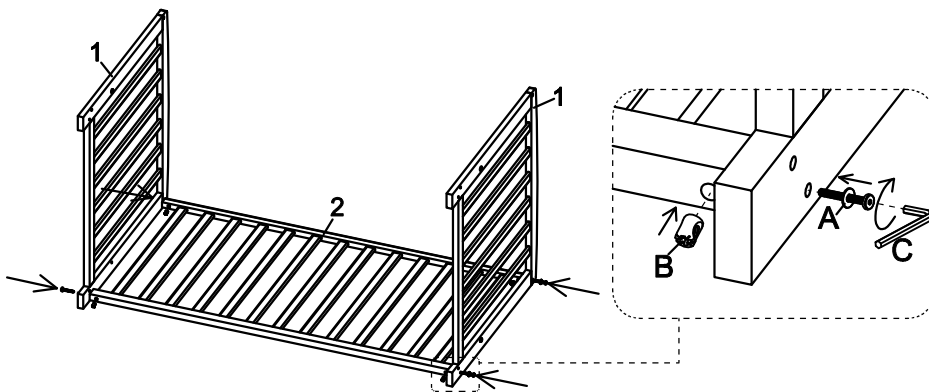
# Assembly

2 adults are required for assembly.

## Stage 1:

Lay down one of the side panels, connect to the two end panels with 4 connecting bolts with washers (A) and 4 barrel nuts (B) to barrel holes.

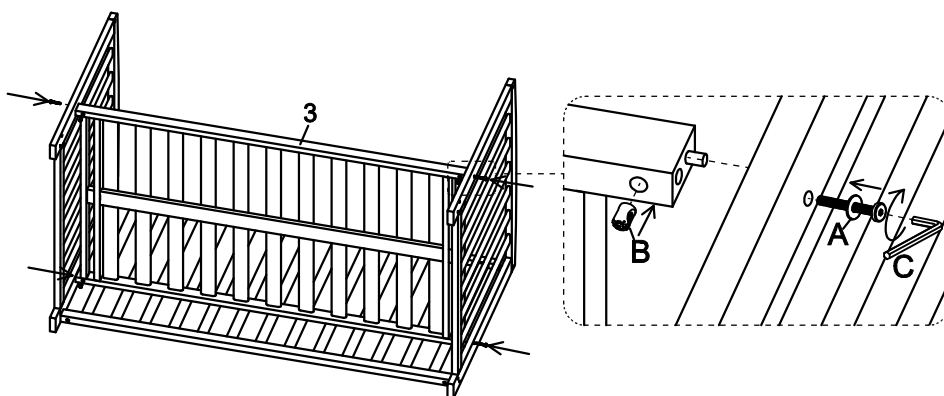
Note : Do not tighten bolts at this stage.



## Stage 2:

Connect the mattress base in correct orientation as "This side up" indicated on frame to the two end panels with 4 connecting bolts with washers (A) and 4 barrel nuts (B) at upper position.

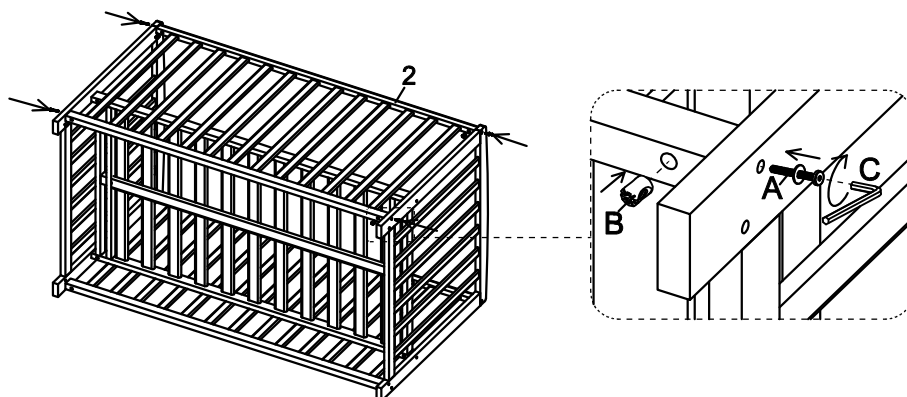
Note : Do not tighten bolts at this stage.



## Stage 3:

Connect the other side panel to the two end panels with 4 connecting bolts with washers (A) and 4 barrel nuts (B) to barrel holes.

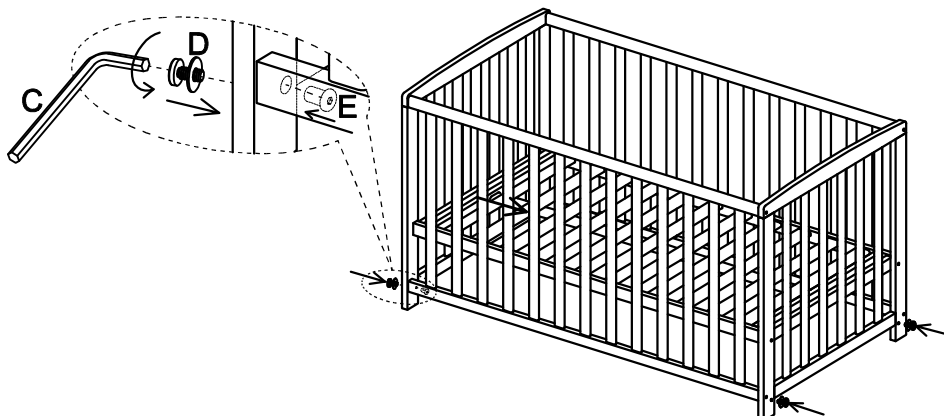
Note : Do not tighten bolts at this stage.



## Stage 4:

Turn the cot in the correct position for use. Tighten all the connecting bolts. Block unused position holes on the end panels with 4 connecting bolts with washers (D) and 4 cap nuts (E).

Note : Do not over tighten bolts.

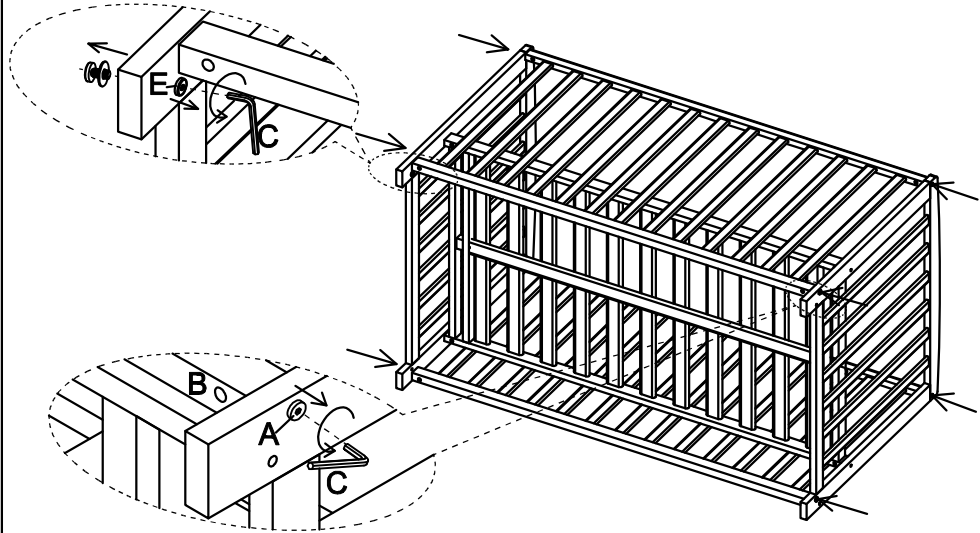


# Assembly

## To adjust mattress base position.

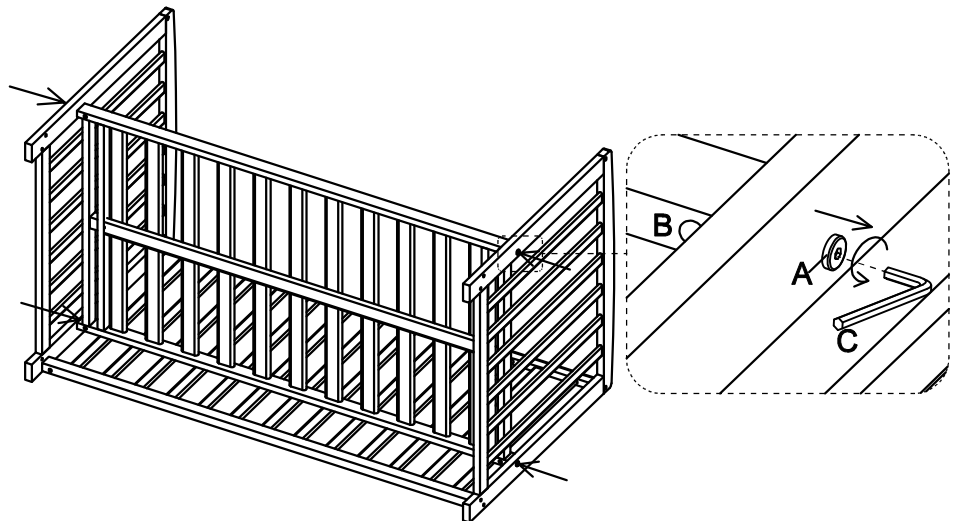
### Stage 1:

Lay down the cot. Remove 4 connecting bolts with washers (D) and 4 cap nuts (E) from bottom holes. Unscrew 4 connecting bolts with washers (A) and 4 barrel nuts (B) to remove one side panel.



### Stage 2:

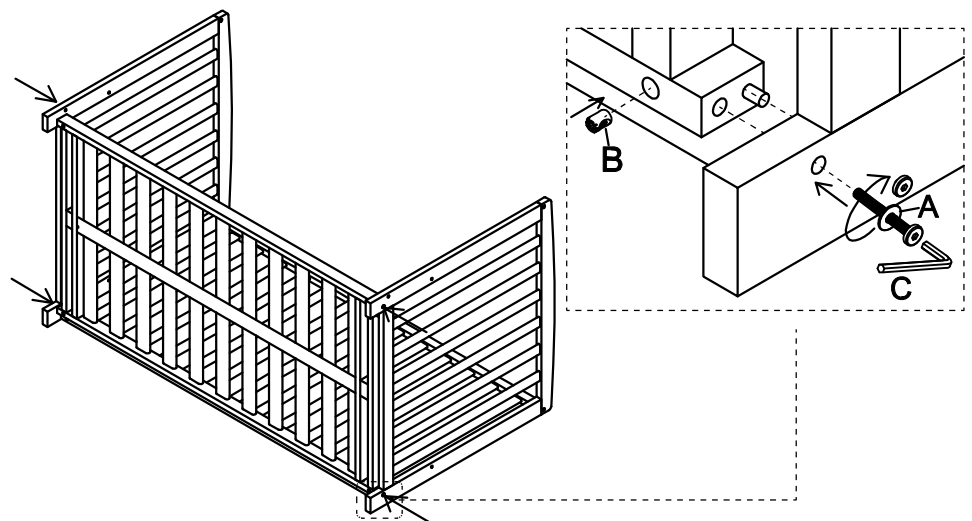
Unscrew 4 connecting bolts with washers (A) and 4 barrel nuts (B) to remove mattress base to lower position.



### Stage 3:

Adjust the mattress base position and connect to two end panels with 4 connecting bolts with washers (A) and 4 barrel nuts (B) to bottom holes.

Note : Do not tighten bolts at this stage.



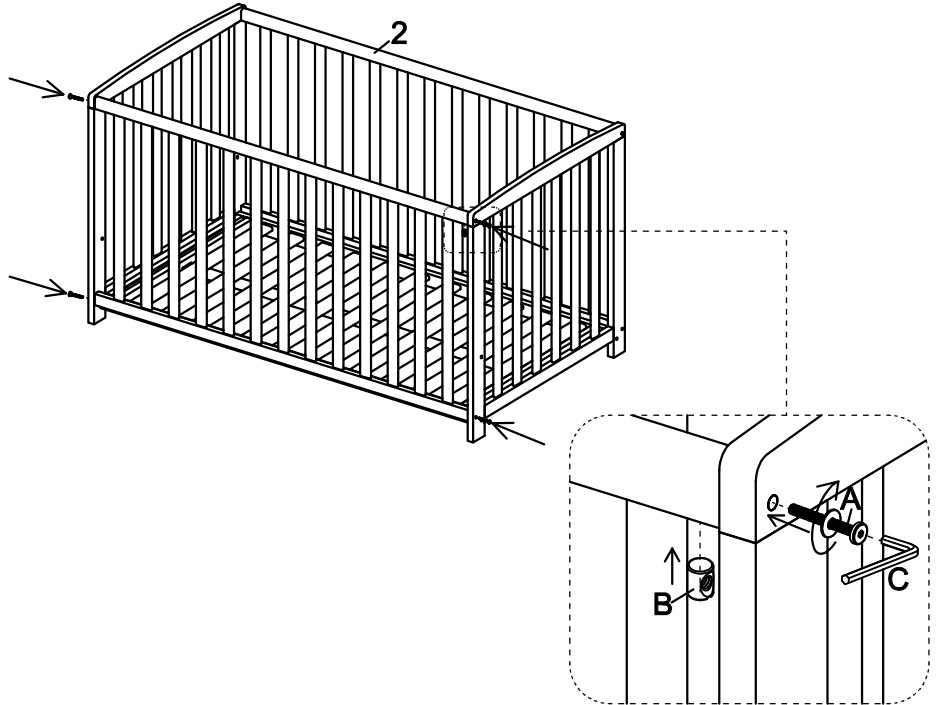
# Assembly

## To adjust mattress base position.

### Stage 4:

Turn the cot in the correct position for use. Connect the second side panel to the two end panels with 4 connecting bolts with washers (A) and 4 barrel nuts (B) to barrel holes.

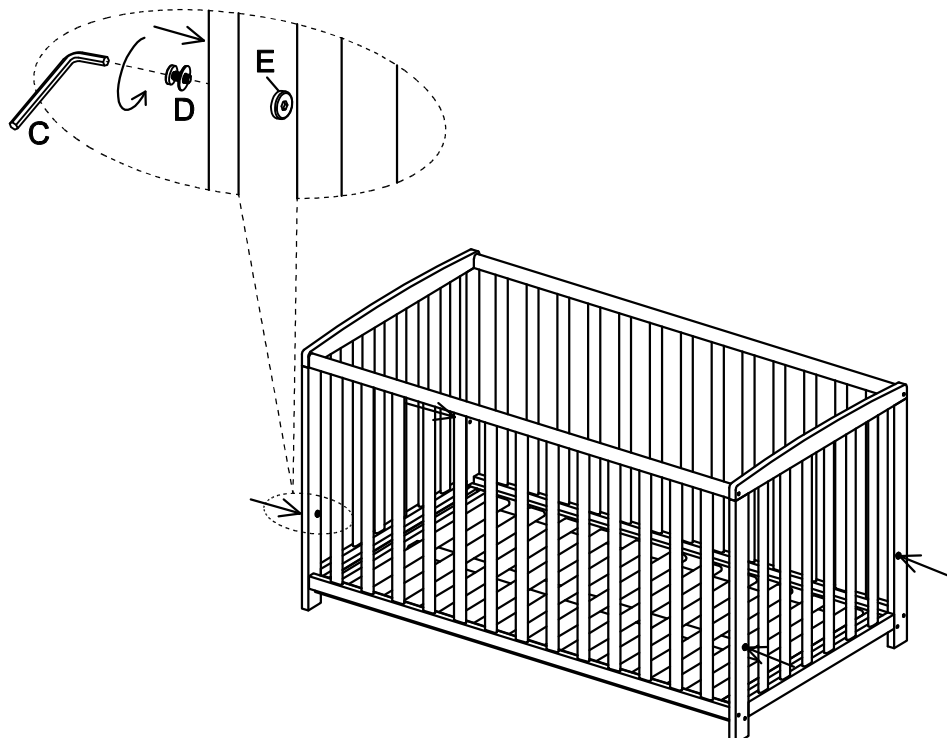
Note : Do not tighten bolts at this stage.



### Stage 5:

Tighten all the connecting bolts. Block the unused position holes on the end panels with 4 connecting bolts with washers (D) and 4 cap nuts (E).

Note : Do not over tighten bolts.



## RECOMMENDED MATTRESS SIZE: 1300mm X 690mm X 125mm.

This cot has been manufactured for use with a mattress which measures 690mm wide by 1300mm long and a maximum thickness of 150mm. The width and length are specified because it is important that the gaps between the mattress and the sides and ends of the cot will not exceed 40mm when the mattress is pushed to one side or end, and 20mm when the mattress is centred in the cot. This is to minimize the risk of a child's limb becoming caught in the gap. The thickness of the mattress has been specified to ensure that the depth of the cot is greater than 500mm with the mattress base in the lower position to minimize the risk of a child climbing or falling out of the cot.

### WARNING!

**TO PREVENT FALLS, THE MAXIMUM MATTRESS THICKNESS SHOULD NOT EXCEED 150MM.**

### WARNING!

**TO PREVENT FALLS, THE MATTRESS BASE OF THIS COT SHOULD BE ADJUSTED TO THE LOWEST POSITION BEFORE THE CHILD CAN SIT UP.**

### WARNING!

- Follow the manufacturer's assembly instructions in detail to ensure the safety features of the cot are not compromised.
- Ensure the cot is placed at a reasonable distance from curtains, blinds, heaters and power points.
- Keep medication, string, elastic, small toys or small items, such as money, out of reach from any position within the cot.
- Strings can cause strangulation! Never place items with a string around a child's neck such as hood strings or pacifier cords. Never suspend strings over product or attach strings to toys.
- Discontinue use of the product when child is able to climb out or reaches the height of 35in (890mm).
- When child is able to pull themselves to a standing position, set mattress/base to lowest adjustment position and remove bumper pads, large toys and other objects that could serve as steps for climbing out.
- Never place product near a window where cords from blinds or drapes can strangle a child.
- Always provide the supervision necessary for the continued safety of your child. Never leave child unattended.
- To reduce the risk of SIDS, pediatricians recommend healthy infants be placed on their back to sleep, unless otherwise advised by your physician.
- Inspect the product before assembly and periodically during use. Never use this product if there is any loose or missing fasteners, loose joints, or broken parts.
- Never substitute parts.
- Never use plastic shipping bag or other plastic film as mattress covers as they can cause suffocation.

### Care and maintenance:

- All assembly fittings should be tightened properly; inspect regularly and re-tighten as necessary.
- To clean your cot, wipe with a damp cloth and dry immediately with a soft clean cloth.
- Do not use abrasive pads, bleach or strong household cleaners.
- When moving your cot, always lift and place in position. Do not drag the cot as damage could result.

Keycode: 42435075

MADE IN VIETNAM

© KMART AUSTRALIA LIMITED

ANKO, KIDS&CO. AND BABY SOLUTIONS® ARE TRADEMARKS OF KMART AUSTRALIA LIMITED. THEY ARE USED IN NEW ZEALAND BY KMART NZ HOLDINGS LIMITED TRADING AS KMART IN NEW ZEALAND.

KMART AUSTRALIA - 690 SPRINGVALE RD, MULGRAVE, VIC 3170 AUSTRALIA.

KMART NEW ZEALAND - REGIONAL OFFICE C/O KMART PAPATOETOE STORE HUNTERS PLAZA, GREAT SOUTH RD, PAPATOETOE, AUCKLAND, NEW ZEALAND.